



SERVICE MANUAL

TYPE: YS1002
nx550p

WEB ACCESS: <http://www.yorkville.com>

WORLD HEADQUARTERS CANADA

Yorkville Sound
550 Granite Court
Pickering, Ontario
L1W-3Y8 CANADA

Voice: (905) 837-8481
Fax: (905) 837-8746

U.S.A.

Yorkville Sound Inc.
4625 Witmer Industrial Estate
Niagara Falls, New York
14305 USA

Voice: (716) 297-2920
Fax: (716) 297-3689



Quality and Innovation Since 1963
Printed in Canada



IMPORTANT SAFETY INSTRUCTIONS



INSTRUCTIONS PERTAINING TO A RISK OF FIRE, ELECTRIC SHOCK, OR INJURY TO PERSONS.

INSTRUCTIONS RELATIVES AU RISQUE DE FEU, CHOC ÉLECTRIQUE, OU BLESSURES AUX PERSONNES.

CAUTION:

TO REDUCE THE RISK OF ELECTRIC SHOCK, DO NOT REMOVE COVER (OR BACK). NO USER SERVICEABLE PARTS INSIDE.

REFER SERVICING TO QUALIFIED SERVICE PERSONNEL.

AVIS:

AFIN DE REDUIRE LES RISQUE DE CHOC ELECTRIQUE, N'ENLEVEZ PAS LE COUVERT (OU LE PANNEAU ARRIERE). NE CONTIENT AUCUNE PIECE REPARABLE PAR L'UTILISATEUR.

CONSULTEZ UN TECHNICIEN QUALIFIE POUR L'ENTRETIEN.

Read Instructions:

The *Owner's Manual* should be read and understood before operation of your unit. Please, save these instructions for future reference.

Packaging:

Keep the box and packaging materials, in case the unit needs to be returned for service.

Warning:

When using electric products, basic precautions should always be followed, including the following:

Power Sources:

Your unit should be connected to a power source only of the voltage specified in the owners manual or as marked on the unit. This unit has a polarized plug. Do not use with an extension cord or receptacle unless the plug can be fully inserted. Precautions should be taken so that the grounding scheme on the unit is not defeated.

Hazards:

Do not place this product on an unstable cart, stand, tripod, bracket or table. The product may fall, causing serious personal injury and serious damage to the product. Use only with cart, stand, tripod, bracket, or table recommended by the manufacturer or sold with the product. Follow the manufacturer's instructions when installing the product and use mounting accessories recommended by the manufacturer.

The apparatus should not be exposed to dripping or splashing water; no objects filled with liquids should be placed on the apparatus.

Terminals marked with the "lightning bolt" are hazardous live; the external wiring connected to these terminals require installation by an instructed person or the use of ready made leads or cords.

No naked flame sources, such as lighted candles, should be placed on the apparatus.

Power Cord:

The AC supply cord should be routed so that it is unlikely that it will be damaged. If the AC supply cord is damaged **DO NOT OPERATE THE UNIT.**

Service:

The unit should be serviced only by qualified service personnel.

Veillez lire le manuel:

Il contient des informations qui devraient étre comprises avant l'opération de votre appareil. Conservez S.V.P. ces instructions pour consultations ultérieures

Emballage:

Conservez la boîte au cas où l'appareil devait étre retourner pour réparation.

Attention:

Lors de l'utilisation de produits électrique, assurez-vous d'adhérer à des précautions de bases incluant celle qui suivent:

Alimentation:

L'appareil ne doit étre branché qu'à une source d'alimentation correspondant au voltage spécifié dans le manuel ou tel qu'indiqué sur l'appareil. Cet appareil est équipé d'une prise d'alimentation polarisée. Ne pas utiliser cet appareil avec un cordon de raccordement à moins qu'il soit possible d'insérer complètement les trois lames. Des précautions doivent étre prises afin d'éviter que le système de mise à la terre de l'appareil ne soit désengagé.

Risque:

Ne pas placer cet appareil sur un chariot, un support, un trépied ou une table instables. L'appareil pourrait tomber et blesser quelqu'un ou subir des dommages importants. Utiliser seulement un chariot, un support, un trépied ou une table recommandés par le fabricant ou vendus avec le produit. Suivre les instructions du fabricant pour installer l'appareil et utiliser les accessoires recommandés par le fabricant.

Il convient de ne pas placer sur l'appareil de sources de flammes nues, telles que des bougies allumées.

L'appareil ne doit pas étre exposé à des égouttements d'eau ou des éclaboussures et qu'aucun objet rempli de liquide tel que des vases ne doit étre placé sur l'appareil.

Les dispositifs marqués d'une symbole "d'éclair" sont des parties dangereuses au toucher et que les câblages extérieurs connectés à ces dispositifs de connection extérieure doivent étre effectués par un opérateur formé ou en utilisant des cordons déjà préparés.

Cordon d'alimentation:

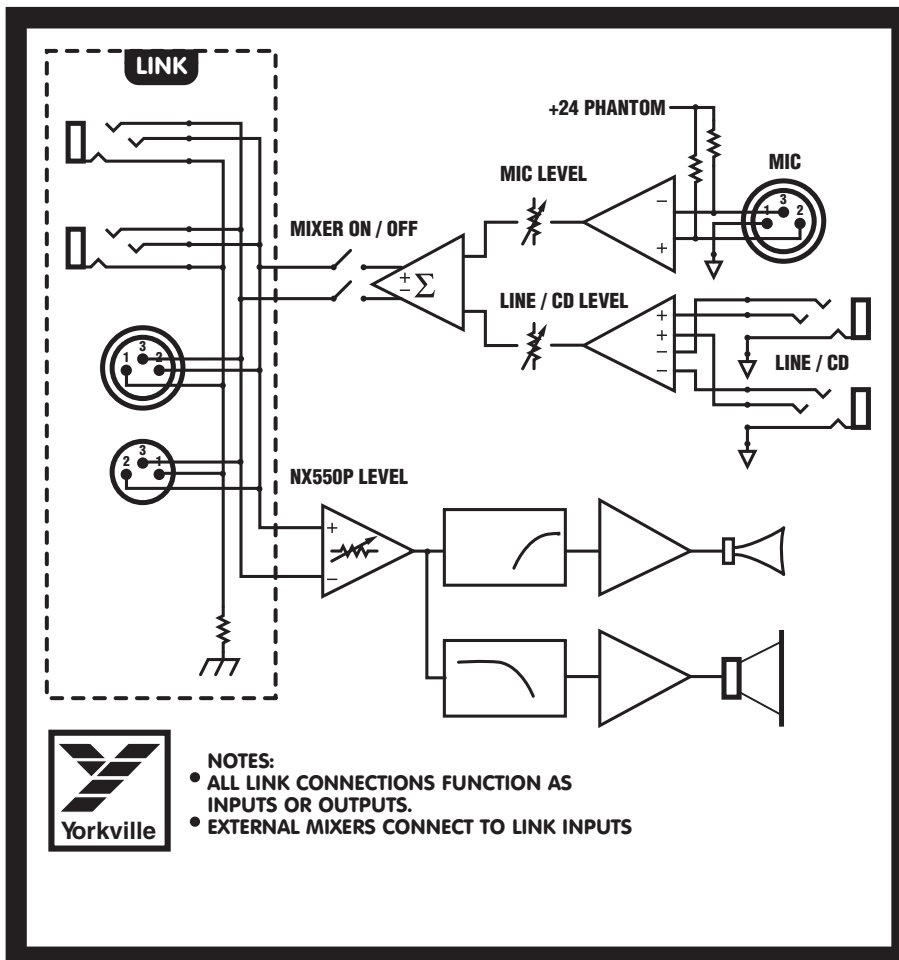
Évitez d'endommager le cordon d'alimentation. **N'UTILISEZ PAS L'APPAREIL** si le cordon d'alimentation est endommagé.

Service:

Consultez un technicien qualifié pour l'entretien de votre appareil.

nx550P

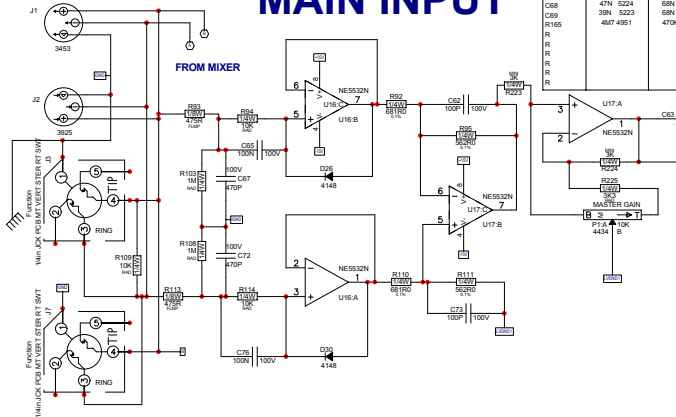
550 WATT POWERED LOUDSPEAKER ENCLOSURE



NX550P Parts List 1/13/2005

YS #	Description	Qty.	YS #	Description	Qty.	YS #	Description	Qty.	YS #	Description	Qty.
5906	RED 3MM LED 1V9 20MA .4SPCR T&R	1	5281	10U 16V 20%CAP T&R RAD .2"NP	1	4690	1/2W 442R 1% T&R RES	1	8928	#14X11/4 ALLEN FLHD WOOD SCRWR JS500	4
5907	YEL 3MM LED 1V9 20MA .4SPCR T&R	1	5945	10U 63V 20%CAP T&R RAD .2"EL	3	2028	1/8W 475R 1%FLAME PROOF T&R RES	2	8714	1/4-20 X 2 PAN QUAD JS500	2
5908	GRN 3MM LED 1V9 20MA .4SPCR T&R	1	5260	22U 50V 20%CAP T&R RAD .2"EL	1	4933	1/4W 470R 5% 2"U T&R RES	2	8768	5/16-18X2 1/2 CARRIAGE BOLT ZINC	1
6825	1N4148 75V 0A45 DIODE T&R	21	5631	22U 50V 20%CAP T&R 6X7MM .2"EL	3	4980	1/4W 470R 5%MINI T&R RES	2	8985	M5 X 60 PAN PHIL MS JS500 BLACK	2
6892	UF4004 200V 1A0 DIODE ULTRAFAS	1	5961	33U 16V 20%CAP T&R RAD .2"NP	6	5015	1/4W 475R0 0.1% *** T&R RES	1	3751	SNAP IN 5/16 SPACER RICHO	9
6438	1N4007 400V 1A0 DIODE T&R	2	5265	68U 25V 20%CAP T&R RAD .2"EL	1	4799	1/4W 562R 0.1% *** T&R RES	2	3851	1/2 PCB PLASTIC SPACER	6
6827	1N5402 200V 3A0 DIODE	8	5887	2200U 50V 20%CAP BLK 18X27MM EL	2	5014	1/4W 562R0 0.1% *** T&R RES	2	3859	1/2 PLASTIC HEX SPACER #4	2
MR854	400V 3A0 DIODE FASREC	2	5912	2200U 63V 20%CAP RADIAL ELECT BULK	2	2030	1/8W 681R 1%FLAME PROOF T&R RES	3	12/150Y4M	12" 4R 450WPGM NEO SPEAKER B&C	1
6421	MR752 200V 6A0 DIODE	4	5858	2700U 180V 20%CAP RAD 35X63MM ELS	2	4743	1/4W 681R0 0.1% *** T&R RES	2	8908	#10 SAE FLAT WASHER .25"ID .565" LG	2
6733	BAT85 30V 0A2 DIODE SCHTKYT&R	6	4432	10K B LIN 9MM P32	2	4923	1/4W 680R 5% 2"U T&R RES	1	8667	SHOULDER WASHER SWS-229 LENGTH 1/8	4
6440	1N750ARL 4V7 0W5 ZENER 5% T&R	3	4434	10K B LIN 9MM DETENT P32	2	4925	1/4W 820R 5% 2"U T&R RES	1	8482	3/8 1D FLAT WASHER	4
6436	1N753ARL 6V2 0W5 ZENER 5% T&R	2	4435	50K B LIN 9MM DETENT P32	1	4934	1/4W 1K 5% 2"U T&R RES	2	3522	DPDT MINI PC VERT SNP ALT	2
6461	1N5240BRL 10V0 0W5 ZENER 5% T&R	1	706	1/2"X24"X250" DURABUBBLE	5	4981	1/4W 1K 5%MINI T&R RES	14	3685	DPDT ROKR SW QUIK 250" AC/PWR IEC65	1
6450	1N5242B 12V0 0W5 ZENER 5% T&R	3	713	25 X 20 X 50 2 MIL PLASTIC BAG	1	6110	1/4W 1K0 1%MINI MF T&R RES	4	3395	THERMO/BRKR:N/CLOSED OPEN@82C	1
6824	1N5246B 16V0 0W5 ZENER 5% T&R	2	6492	1300UH COIL COMMON MODE 4AMP	1	4996	1/4W 1K070 0.1% *** T&R RES	1	CH1254	NX520P POWER TRFMR TRD	1
6432	1N5248B 18V0 0W5 ZENER 5% T&R	2	8487	ADAPTOR,SPEAKER STAND,PLASTIC,LARGE	1	4585	1/4W 1K2 5%MINI T&R RES	2			
6465	1N5250B 20V0 0W5 ZENER 5% T&R	1	8545	RECESSED RUBBER BUMPER WITH WASHER	4	4769	1/4W 1K4 1% T&R RES	5			
6463	1N5251BRL 22V0 0W5 ZENER 5% T&R	1	3478	CLIP 205/187X032 18-22AWG DISCO/INS	1	2034	1/8W 1K5 5%FLAME PROOF T&R RES	2			
6426	1N5254B 27V0 0W5 ZENER 5% T&R	1	3485	CLIP 250X032 18-22AWG RIGHT ANGL	4	4935	1/4W 1K5 5% 2"U T&R RES	3			
6728	MC78L05ACP TO92 P 5V0 REG T&R V4	1	3489	CLIP 250X032 18-22AWG DISCO/INSL	4	4993	1/4W 1K87 1% T&R RES	1			
6871	MC7915CT TO220 N 15V0 REG V2	1	3490	CLIP 250X032 14-16AWG DISCO/INSL	6	4683	1.0W 1K8 5% T&R RES	1			
6872	MC7815CT TO220 P 15V0 REG V1	1	3682	250 MALE PCB TAB REEL	13	4946	1/4W 2K 5% 2"U T&R RES	2			
5101	BC550C TO92 NPN TRAN T&R TB	1	3921	1/4" JCK PCB MT VERT STER RT SWT	4	6113	1/4W 2K 5%MINI T&R RES	3			
5102	BC560C TO92 PNP TRANSISTOR T&R TB	3	3453	XLR MALE PCB MT VERT	1	4705	2.0W 2K2 5% BLK RES	2			
5103	MPSA06 TO92 NPN TRANSISTOR T&R TA	1	3925	XLR FEML PCB MT VERT 24MM U-CONT	2	6104	1/4W 2K2 5%MINI T&R RES	5			
5107	2N5551 TO92 NPN TRNSISTR DARL T&RTA	2	3451	EYELET SMALL 0.089 OD PLATED	13	2035	1/4W 2K21 1%FLAME PROOF T&R RES	2			
5108	2N5401 TO92 PNP TRNSISTR DARL T&RTA	4	3482	LOWPROFILE FUSEHOLDER 1/4" BUSSMANN	1	6114	1/4W 2K49 1%MINI MF T&R RES	6			
5114	MPSA92 TO92 PNP TRAN T&R TA	2	2410	4.0 AMP FAST-BLO .25X1.25 FUSE	1	4936	1/4W 2K7 5% 2"U T&R RES	1			
5105	MPSA13 TO92 NPN TRNSISTR DARL T&RTA	1	2487	7.0 AMP SLO-BLO T&R FUSE	2	6124	1/4W 3K 5%MINI T&R RES	2			
5119	2N5638 TO92 NCH JFET T&R TC	2	8540	HANDLE BAR, ZINC DIECAST	1	4938	1/4W 3K3 5% 2"U T&R RES	2			
6873	MJE340 TO126 NPN TRANSISTOR TG	1	8604	10-32 T NUT	14	4850	1/4W 3K9 5% T&R RES	1			
6911	BDX54C TO220 PNP TRAN DARL TE	1	HD120	8R 40W 1"DRIVER HD1208R	1	4756	1/4W 4K120 0.1% *** T&R RES	2			
6912	BDX53C TO220 NPN TRAN DARL TE	1	3501	B52200F006 COMP WASH #4 SMALL	9	4943	1/4W 4K7 5% 2"U T&R RES	8			
6914	IRFP350 TO247 NCH MFET TM	2	8726	3/8-16X11/2 GRD5 FLAT SCTKT HD PLAIN	3	4982	1/4W 4K7 5%MINI T&R RES	3			
6931	IRFP140N TO247 NCH MFET TM	1	3645	AC SOCKET RECEPTACLE WITH 0.250 TAB	1	4665	5.0W 8K2 5% BLK RES	4			
6932	IRFP9140N TO247 PCH MFET TM	1	3810	4" NYLON CABLE TIE	12	4978	1/4W 6K8 5%MINI T&R RES	6			
6804	MC33079P IC QUAD OP AMP	1	3841	5.5" NYLON CABLE TIE	6	4768	5.0W 12K 5% BLK RES	1			
6840	MC33078P IC DUAL OP AMP	1	3852	STICK ON CABLE WRAP ANCHOR	1	4940	1/4W 10K 5% 2"U T&R RES	12			
6884	NE5532N IC DUAL OP AMP	16	8632	ROUND PUSH BUTTON 1/4" GREY	2	4983	1/4W 10K 5%MINI T&R RES	2			
6640	LM311 IC VOLTAGE COMPARATOR	3	9915	RED SOFT GRAY RIB KNOB 0-DEG	2	6116	1/4W 10K0 1%MINI MF T&R RES	8			
6745	LM13600N IC XCONDUCTANCE AMP	1	9916	GRY SOFT GRAY RIB KNOB 0-DEG	1	4979	1/4W 15K 5%MINI T&R RES	4			
6603	74HC14N IC HEX INV SCHMID	2	9917	GRN SOFT GRAY RIB KNOB 0-DEG	2	4954	1/4W 18K 5% 2"U T&R RES	2			
6605	74HC86N IC QUAD ZINP XOR	1	3426	8' 3/16 SUT AC LINE CORD REMOV-B CSA	1	6125	1/4W 18K 5%MINI T&R RES	1			
6964	74HC74N IC DUAL FLIPFLOP	1	8240D	"Y" LOGO SML. DOMED YORKVILLE BLUE	1	6118	1/4W 22K 5%MINI T&R RES	3			
6887	IR2110 IC HILO FET DRIVER	1	3786	233UH CHOKO 80T20AWG/77091MAGNTKS	1	4956	1/4W 27K 5% 2"U T&R RES	3			
6858	NSL-32SR2 OPTO-COUPLER LDR	2	3792CO	77091-A7 KOOL-MU TOROID CORE	1	4941	1/4W 30K 5% 2"U T&R RES	1			
5401	_10P 500V 5%CAP T&R RAD CER.2"NPO	1	8910	YORKVILLE PRODUCT MANUAL	1	4947	1/4W 33K 5% 2"U T&R RES	3			
5817	_15P 100V 2%CAP T&R RAD CER.2"NPO	1	8900	YORKVILLE WARRANTY CARD 2-YR UNLTD.	1	4868	1/4W 36K 5% T&R RES	1			
5406	_33P 50V 10%CAP BLK BEAD NPO	2	3549	TRIFURCON TERM .156	8	4794	1/4W 37K90 0.1% *** T&R RES	4			
5203	_47P 100V 2%CAP T&R RAD CER.2"NPO	2	3559	TERM HOUSING 8 CIR .156/RAMP	1	4927	1/4W 47K 5% 2"U T&R RES	6			
5199	100P 100V 2%CAP T&R RAD CER.2"NPO	1	3674	9 CIR CABLE HOLDER .098	1	6119	1/4W 47K 5%MINI T&R RES	5			
5410	100P 100V 10%CAP T&R BEAD NPO	1	8701	4-40 KEPS NUT ZINC	9	4928	1/4W 56K 5% 2"U T&R RES	1			
5412	220P 100V 10%CAP T&R BEAD NPO	2	8787	8-32 KEPS NUT ZINC	3	4929	1/4W 82K 5% 2"U T&R RES	1			
5201	470P 100V 5%CAP T&R RAD CER.2"NPO	5	8603	3/8-16 T NUT	3	4942	1/4W 100K 5% 2"U T&R RES	1			
5816	680P 100V 5%CAP T&R RAD CER.2"NPO	4	8797	5/16-18 KEPS NUT JS500	1	4638	1/2W 150K 5% T&R RES	1			
5422	_1N 50V 10%CAP T&R BEAD NPO	2	3884	SARCON THERMAL GASKET 4.55"X1.00"	1	4839	1/4W 150K 5% T&R RES	1			
5208	_2N2 400V 5%CAP T&R RAD .2"FLM	2	4004	9 CIR WAFER WLCK VT 0.1"	1	4796	1/4W 180K 5%MINI T&R RES	1			
5275	_3N3 100V 5%CAP T&R RAD .2"FLM	2	4599	22AWG SOLID SC WIR T&R JMP	5	6135	1/4W 270K 5%MINI T&R RES	1			
5209	_4N7 250V 5%CAP T&R RAD .2"FLM	2	5299	24AWG SOLID SC WIR RAD JMP	2	6127	1/4W 470K 5%MINI T&R RES	1			
6451	_4N7 250V 20%CAP BLK Y 10MM AC	1	4660	5.0W 0R047 5% BLK RES	2	4948	1/4W 1M 5% 2"U T&R RES	10			
5271	_5N6 100V 5%CAP T&R RAD .2"FLM	1	2005	1.0W 0R47 5%FLAME PROOF T&R RES	4	4951	1/4W 4M7 5% 2"U T&R RES	1			
5204	_10N 100V 10%CAP T&R RAD .2"FLM	3	4682	1/2W 1R 5%PHILIPS SMAL T&R RES	1	3535	10" 9C-26AWG RIB 1 WLCK HDR O98	1			
5210	_22N 100V 10%CAP T&R RAD .2"FLM	1	4911	1/4W 2R2 5% T&R RES	1	3696	RELAY 1C 02AMP DC24 006MA PCS	1			
6435	_22N 275V 20%CAP BLK X2 15MM AC	1	4813	1/4W 6R2 5% T&R RES	2	3790	EMI FILTER FOR RIBBON CABLE	1			
5223	_39N 100V 10%CAP T&R RAD .2"FLM	2	2010	1/8W 10R0 2%FLAME PROOF T&R RES	4	8865	4-40 X 5/16 PAN PH MS JS500	4			
5224	_47N 100V 10%CAP T&R RAD .2"FLM	5	4815	1/4W 12R 5% T&R RES	2	8861	4-40 X 3/8 PAN PH MS JS500	1			
5226	_68N 100V 5%CAP T&R RAD .2"FLM	3	6134	1/4W 47R 5%MINI T&R RES	1	8871	4-40 X 5/8 PAN PH MS JS500	9			
5212	100N 63V 5%CAP T&R RAD .2"FLM	47	2018	1/8W 75R 2%FLAME PROOF T&R RES	3	8842	#4 X 5/16 PAN QUAD TYPE A JS500 BLK	6			
5228	100N 100V 5%CAP T&R RAD .2"FLM	2	2019	1/8W 100R0 1%FLAME PROOF T&R RES	1	8832	6-32 X 1/4 PAN PH TAPTITE JS500	19			
5314	100N 50V 10%CAP T&R BEAD X7R	2	4602	1/8W 100R 5% T&R RES	2	8801	6-32 X 3/8 PAN PH TAPTITE JS500	2			
5231	220N 63V 10%CAP T&R RAD .2"FLM	4	4921	1/4W 100R 5% 2"U T&R RES	1	8796	6-32 X 5/8 PAN PH TAPTITE ZINC	7			
5233	330N 63V 5%CAP T&R RAD .2"FLM	2	4984	1/4W 150R 5%MINI T&R RES	1	8983	#10 X 3 1/2 FLAT SOCKET WOOD ZINC CL	6			
5234	470N 63V 10%CAP T&R RAD .2"FLM	1	4819	1/4W 180R 5% T&R RES	1	8803	8-32 X 3/8 PAN QUAD TAPTITE JS500	7			
5286	680N 250V 20%CAP BLK X2 30MM AC	1	4944	1/4W 220R 5% 2"U T&R RES	3	8804	8-32X1.25 PAN PH MS ZINC CLEAR	4			
5254	_1U 63V 20%CAP T&R 4X7MM .2"EL	1	4977	1/4W 220R 5%MINI T&R RES	2	8756	#10 X 3/4 PAN PH TYPE A BLACK OXIDE	6			
5255	_1U 63V 20%CAP T&R RAD .2"EL	2	2024	1/8W 249R 2%FLAME PROOF T&R RES	2	8781	#10 X 7/8 FLAT PHIL TYPE A JS500BLK	2			
5257	_2U2 63V 20%CAP T&R RAD .2"EL	2	4945	1/4W 270R 5% 2"U T&R RES	1	8727	#10 X 1" PAN PH TYPE A JS500 BLACK	4			
5949	_3U3 140V 20%CAP BLK RAD POLY FLM	3	2025	1/8W 274R 1%FLAME PROOF T&R RES	1	8843	10-32 X 1 1/8 FLAT PH MS JS500	6			
5951	_3U3 250VAC 20%CAP BLK POLY FLM	1	4789	1/4W 324R0 0.1% *** T&R RES	1	8786	10-32 X 1 1/4 PAN QD MS JS500 BLACK	4			
5258	_4U7 63V 20%CAP T&R 8X7MM .2"EL	5	2026	1/4W 332R0 1%FLAME PROOF T&R RES	1	8773	10-32 X 1 1/4 PN PH TT FULL THD JS5	4			

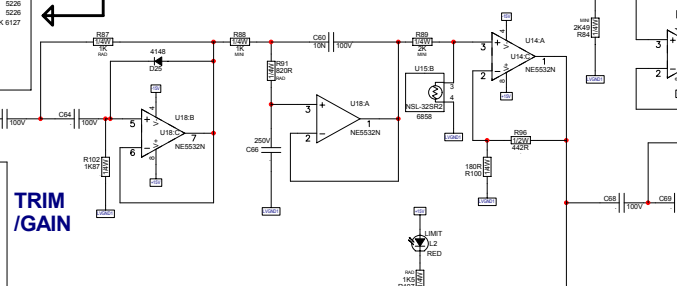
MAIN INPUT



PART VALUE CHANGES

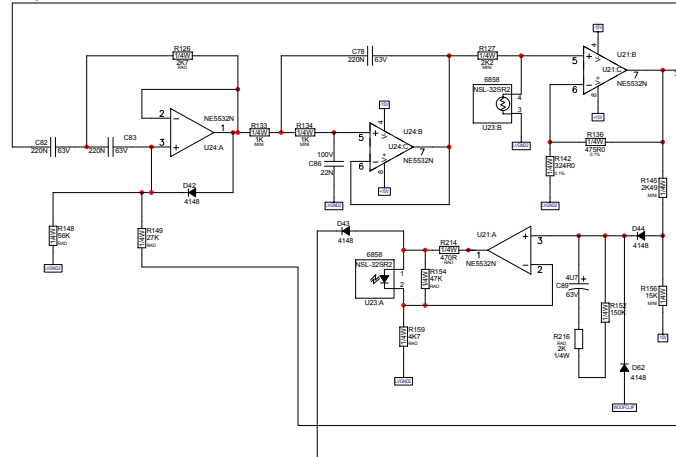
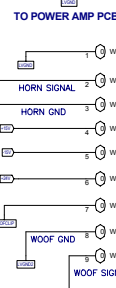
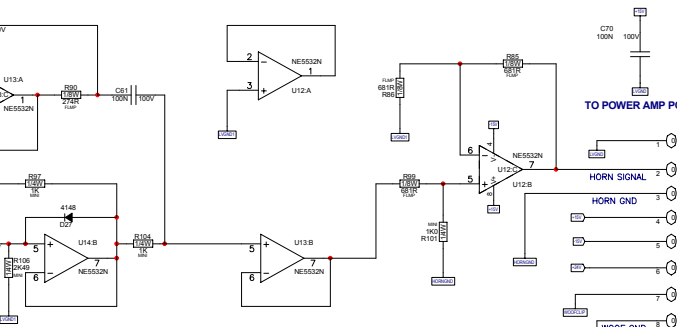
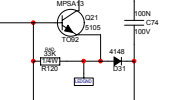
REF	NX500P/M1158/BELISLE AMP/M1158B	NEW VALUE
C54	47N 50V	100N 50V
C55	30N 50V	68N 50V
C56	47N 50V	100N 50V
C57	47N 50V	68N 50V
C58	47N 50V	68N 50V
C59	30N 50V	68N 50V
R165	487 45V	470K 0.127

PARTS CHANGES BETWEEN M1158A/NX500P AND M1158B/BELISLE AMP



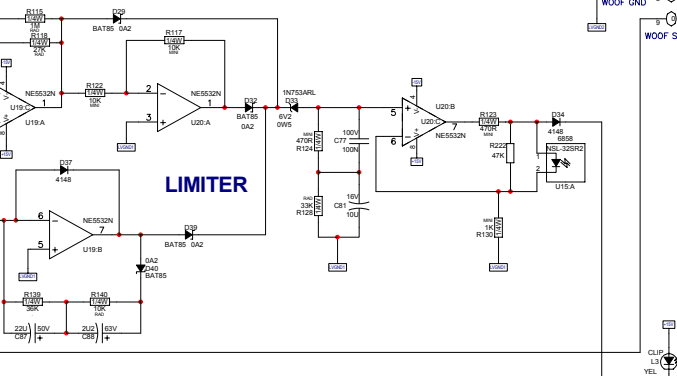
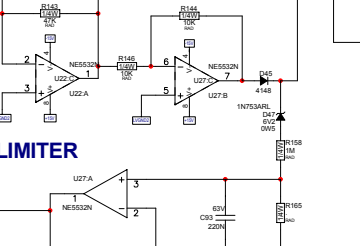
TRIM/GAIN

MASTER CLIP



SUBWOOFER OUT/UP SUBWOOFER IN/DOWN

LIMITER

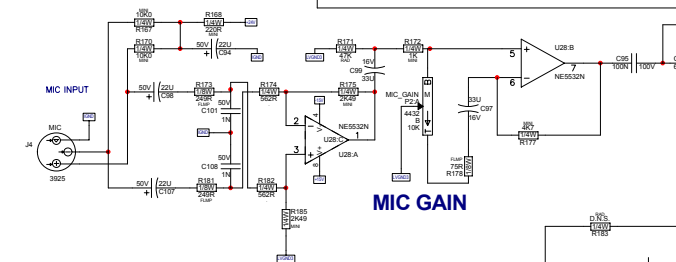


LIMITER

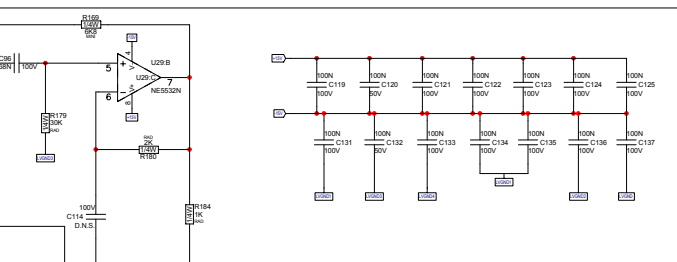
X1158 HISTORY

#	DATE	VER#	DESCRIPTION OF CHANGE
1	AUG-31-2004	1.00	DERIVED FROM OLD M1158
2	SEP-07-2004	N	PC#6723: P1&P5->#4434,P2,P4->#4432,P3->#4435
3	OCT-06-2004	N	GT:PC#6743 C23, C19, C30 CHANGED TO "DO NOT STUFF"
4	NOV-24-2004	2.00	GT:FIX TRACE NEAR C100 & MASK FOR NODE W PADS
5	OCT-31-2005	N	PC#7003:GT:R#4979 15K->#6104 2K2.ADD 8921 WASHER
6	DEC-13-2005	N	PC#7052:GT:Q148&Q15 6914 IRFP350->6967 IRFP234501.PBF
7		N	
8		N	
9		N	
10		N	
11		N	
12		N	
13		N	
14		N	
15		N	

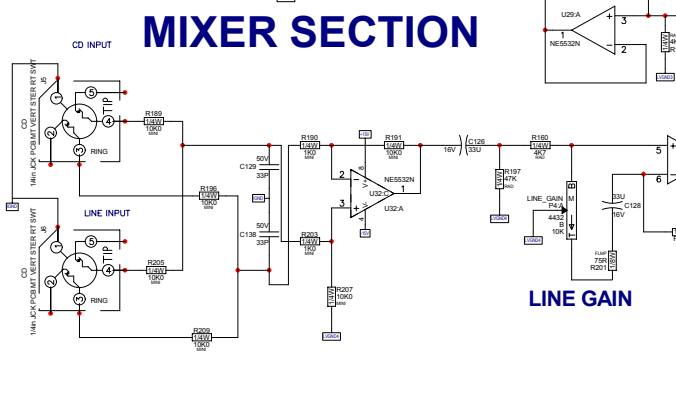
FOR M1158A AND M1158B BOARD SPECIFIC CHANGES, SEE PCB LAYOUT



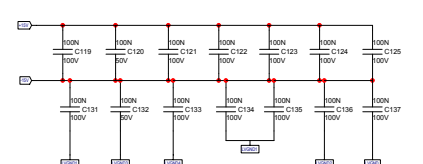
MIC GAIN



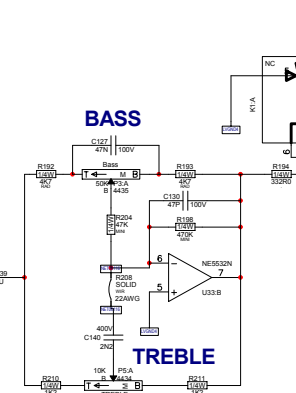
LINE GAIN



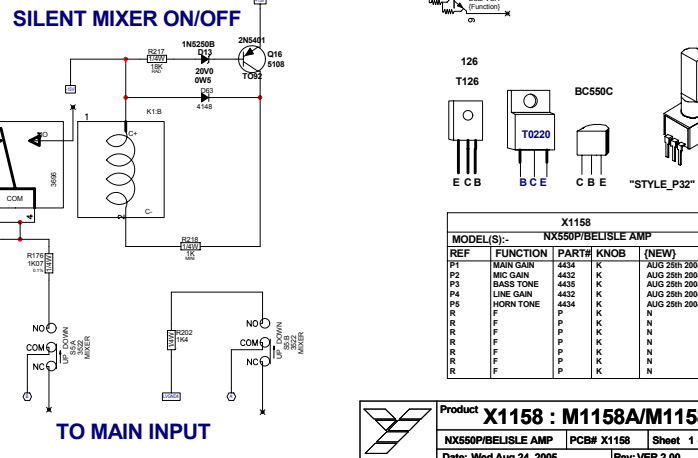
MIXER SECTION



BASS

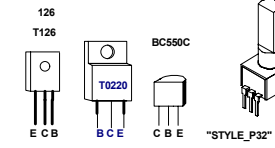


TREBLE



SILENT MIXER ON/OFF

TO MAIN INPUT



X1158

REF	FUNCTION	PART#	KNOB	(NEW)
P1	MAIN GAIN	4434	K	AUG 29th 2004
P2	MIC GAIN	4432	K	AUG 29th 2004
P3	BASS TONE	4435	K	AUG 29th 2004
P4	LINE GAIN	4432	K	AUG 29th 2004
P5	HORN TONE	4434	K	AUG 29th 2004
R1	F		P	K
R2	F		P	K
R3	F		P	K
R4	F		P	K
R5	F		P	K
R6	F		P	K
R7	F		P	K
R8	F		P	K

M1158A_PCB_DATABASE_HISTORY			
MODEL(S):-	NX520P	VER#	DESCRIPTION OF CHANGE
1	D	2.00	1ST RUN CHANGES FOR VER 2.00
2	D	2.00	SEE ATTACHED NOTES ON DATA BASE.
3	D	2.00	CHANGE R28 FROM 10K TO 4K7 AND R34 FROM 33K TO 47K
4	D	2.10	PC#6453 R29 R22 TO 2R2
5	D	3.00	REPAIR CHASSIS GROUND FOR CSA STANDARD 4mm CLEARANCE
6	D	3.00	ADD COPPER POURS UNDER ALL OUTPUT DEVICES.
7	D	3.00	PC#6464 R37 78R TO 150R PC#6468 R130 4K7 TO 2K
8	D	4.00	MOVED TRACES UNDER 1/4" JACKS #3921
9	D	4.00	#3921 MOVE R24, ADD D21 AND C144, R27 FROM 47R TO 100R.
10	D	5.00	UPDATE TABS
11	D	5.00	#3921 JACKS TO SLOTTED HOLE
12	D	6.00	UPDATED PADS FOR SW AND G172 DIOD
13	D	N	N
14	D	N	N

M1158B_PCB_DATABASE_HISTORY			
MODEL(S):-	NX550P	VER#	DESCRIPTION OF CHANGE
1	D	1.00P1	Derived from M1158
2	D	1.00	PC#6623 R109 100K->10K, R223 2K2->3K, R224 15K->3K
3	D	1.00	R112 DELETED PC#6630 R101 681R->1K0, C61 47N->100N
4	D	1.00	C78 330N->220N, C79 220N->300N, 220N->300N
5	D	2.00	PC#6671 Incr. spacing on PS to 6mm to comply w/ IEC tests
6	D	N	N
7	D	N	N
8	D	2.10	PC#6703 Changed W16 label GREEN to BLACK
9	D	2.10	PC#6723 R26 to P32 style parts, P1,P5 4537->4434, P2,P4 4566->4432, P5 4546->4435
10	D	N	N
11	D	N	N
12	D	N	N
13	D	N	N

M1158A_PCB_DATABASE_HISTORY			
MODEL(S):-	NX520P	VER#	DESCRIPTION OF CHANGE
1	D	4.10	CORRECTION R121 100K TO 27K
2	D	4.10	CHANGE R145 FROM 33K TO 27K AND R135 FROM 75K TO 15K, ALSO INVERTED OUTPUT POLARITY OF HORN AND WOOFR.
3	D	4.10	CHANGE R79 6K98 TO 1K0, R52 10K0 TO 1K4, R208 3K TO JUMPER, R204 3K TO 47K
4	D	4.10	R206 1K TO 220R, C140 1N5 TO 2K2 AND C91 FROM 680P TO 100N.
5	D	N	N
6	D	N	N
7	D	N	N
8	D	N	N
9	D	N	N
10	D	N	N
11	D	N	N
12	D	N	N
13	D	N	N

MAY/22/2003 4.20 DE-72P DRIVER TO #7401 DE-72P TITANIUM DRIVER

HORN AMP

SILENT ON/OFF

WOOFR AMP

SILENT ON/OFF

PHANTOM SUPPLY

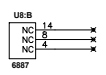
FROM INPUT PCB

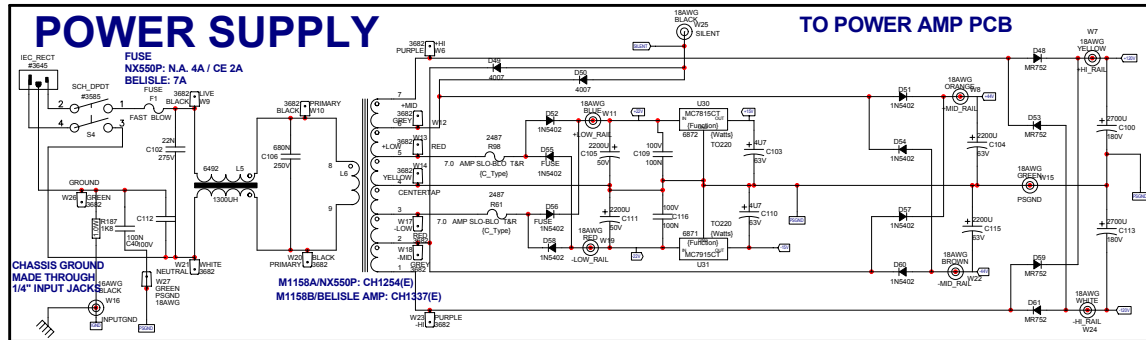
+/-15V_C

FROM POWER SUPPLY

+/-15V_MOD

+5V_MOD





(E) DENOTES EUROPEAN VERSION

	M1158A/NX550P	M1158B/BELISLE AMP
TRANSFORMER	CH1254(E)	CH1337(E)
+HI	85Vrms	106Vrms
+MID	30Vrms	41Vrms
+LOW	15Vrms	21Vrms
-LOW	15Vrms	21Vrms
-MID	30Vrms	41Vrms
-HI	85Vrms	106Vrms
+HI_RAIL	+120V	+150V
+MID_RAIL	+42V	+58V
+LOW_RAIL	+21V	+30V
-LOW_RAIL	-21V	-30V
-MID_RAIL	-42V	-58V
-HI_RAIL	-120V	-150V

M1158A V2.00

BlankSize - 11000x10000

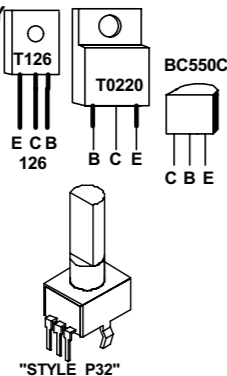
X1158 HISTORY			
MODEL(S):- NX550P			
#	DATE	VER#	DESCRIPTION OF CHANGE
1	AUG-31-2004	1.00	DERIVED FROM OLD M1158
2	SEP-07-2004	D	PC#6723: P1&P5-->#4434,P2,P4-->#4432,P3-->4435
3		V	N
4		V	N
5	OCT-06-2004		GT:PC#6743 C23, C19, C30 CHANGED TO "DO NOT STUFF"
6	NOV-24-2004	2.00	GT:FIX TRACE NEAR C100 & MASK FOR NODE_W_PADS
7		V	N
8		V	N
9	SEP-21-2005		GT:PC#6979:R6&R23 #4815 12R->#2038 11R FUSIBLE
10	OCT-31-2005		PC7003:GT:R9#4979 15K->#6104 2K2,ADD 8921 WASHER
11	DEC-13-2005		PC#7052:GT:Q14&Q15 6914 IRFP350->6967 IRFP23N50LPBF
12		V	N
13		V	N

X1158 DRILL HISTORY			
MODEL(S):- NX550P			
#	DATE	VER#	DESCRIPTION OF CHANGE
1	D	V	N
2	D	V	N
3	D	V	N
4	D	V	N
5	D	V	N
6	D	V	N

X1158 PENDING CHANGES			
MODEL(S):- NX550P			
#	PC#	PENDING CHANGE	
1	PC	X	
2	PC	X	
3	PC	X	
4	PC	X	
5	PC	X	
6	PC	X	

***PLACE IMPLEMENTED CHANGES INTO BOARD HISTORY**

X1158					
MODEL(S):- NX550P					
REF	FUNCTION	PART#	KNOB	{NEW}	
P1	MAIN GAIN	4434	K	AUG 25th 2004	
P2	MIC GAIN	4432	K	AUG 25th 2004	
P3	BASS TONE	4435	K	AUG 25th 2004	
P4	LINE GAIN	4432	K	AUG 25th 2004	
P5	HORN TONE	4434	K	AUG 25th 2004	
R	F	P	K	N	
R	F	P	K	N	
R	F	P	K	N	
R	F	P	K	N	
R	F	P	K	N	
R	F	P	K	N	



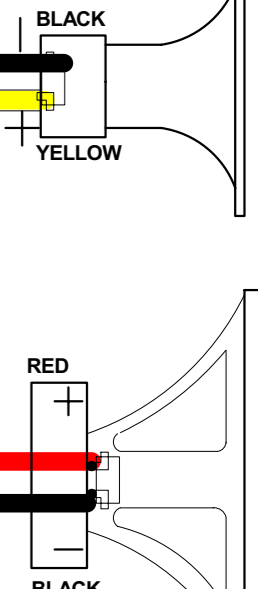
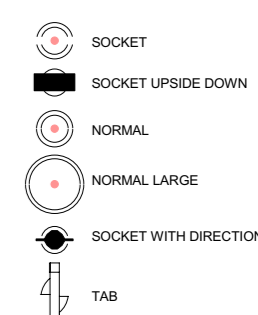
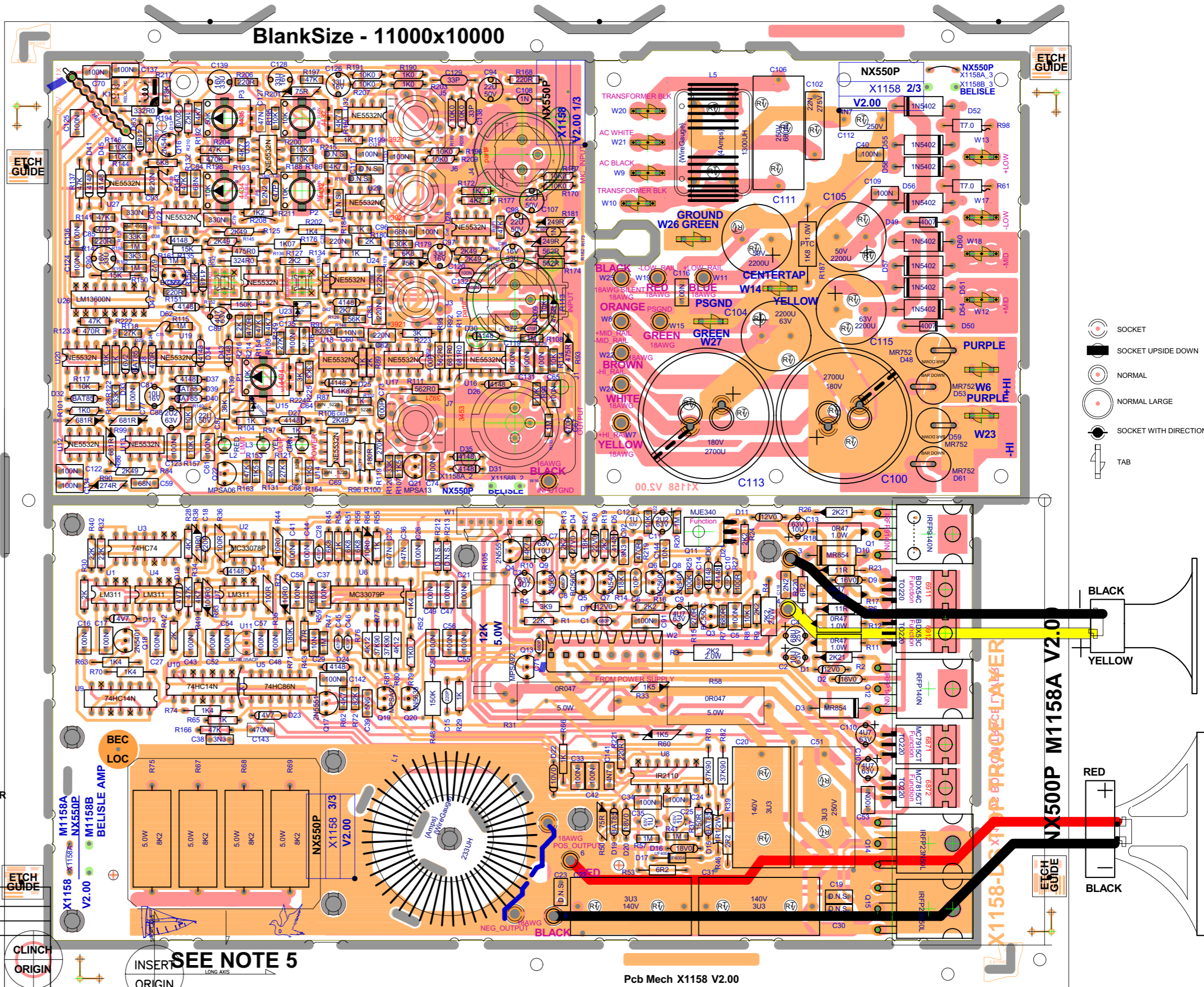
PRODUCTION NOTES

- NOTE THAT THERE ARE SEVERAL LINES ON THE DSBOTMASK LAYER. THESE MAY BE USED FOR MARCONI TEST POINTS SO HAVE THIS LAYER ON IF DOING ANY MODIFICATIONS.
- NOTE THAT HORN WIRES FOR NX520P AND EF500P ARE OPPOSITE IN COLOR W.R.T. PCB INSERTION. CHECK PROPER LAYOUT FOR CORRECT COLORS
- SLIDE EMI FILTER OVER RIBBON BEFORE INSERTING INTO P.C.B.
- ADD AMPLE RTV UNDER ENTIRE BASE OF OUTPUT COIL L1
- FIT #8921 FLAT WASHER BETWEEN #3501 BELL WASHER AND #8667 SHOULDER WASHER FOR Q2,Q10,U30 AND U31
- LEADS FOR 5 WATT RESISTORS MUST BE BENT ON THE MACHINE LEAD LOOP MUST NOT BE ABOVE TOP OF RESISTOR
- VERIFY MULTIVALUE PARTS C63,C64, C66,C68,C69,R165 ARE CORRECT FOR YOUR BOARD

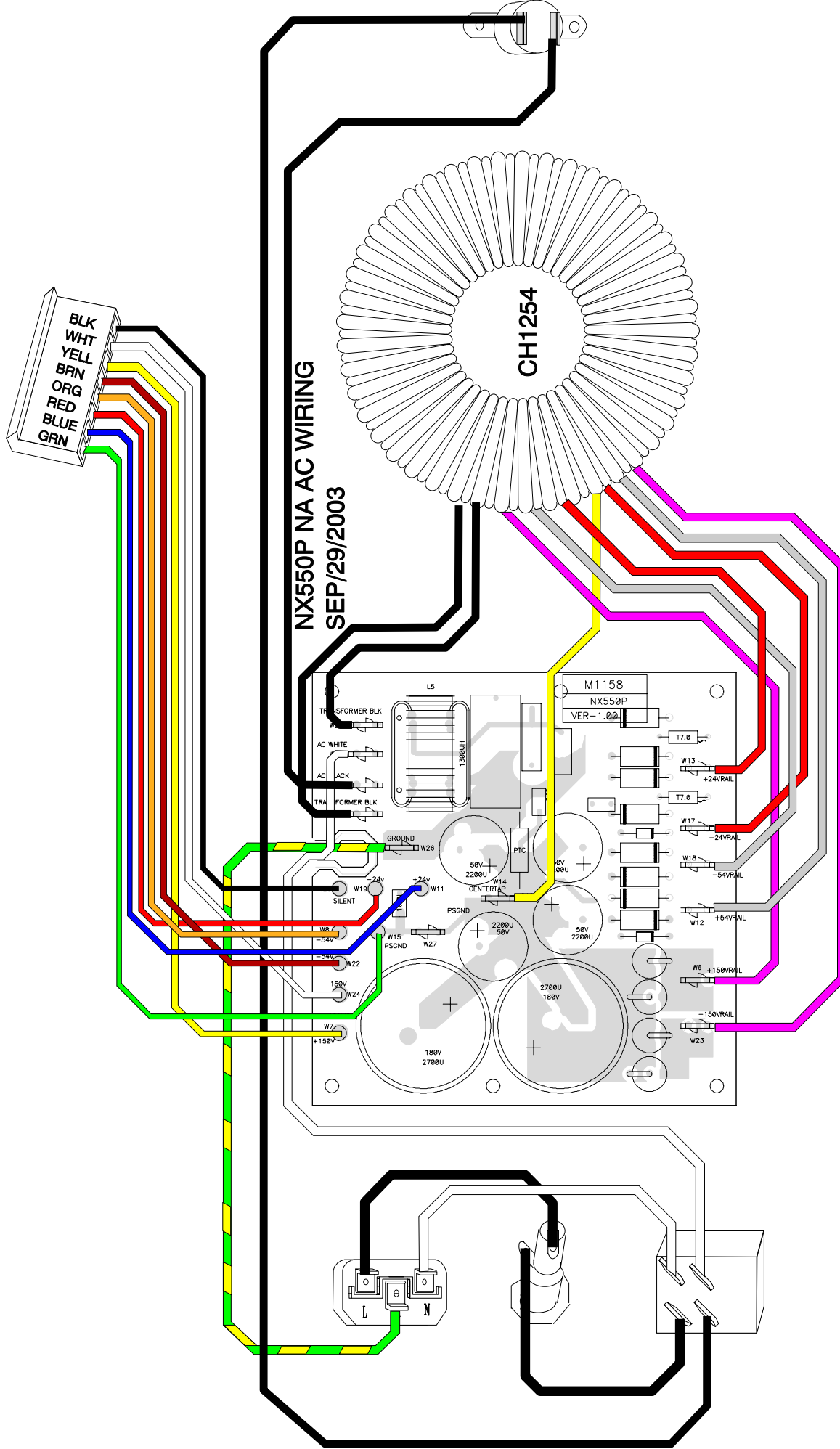
MULTI VALUE PARTS

MODELS:		NX550P		BELISLE	
#	COMP#	M1158A	M1158B	P	P
1	C63	47N 5224	68N 5226	P	P
2	C64	39N 5223	68N 5226	P	P
3	C66	4N7 5209	47N 5224	P	P
4	C68	47N 5224	68N 5226	P	P
5	C69	39N 5223	68N 5226	P	P
6	R165	4M7 4951	470K 6127	P	P
7	C	P	P	P	P
8	C	P	P	P	P
9	C	P	P	P	P
10	C	P	P	P	P

8. #5858: Apply a ring of RTV on cap's sleeve as shown



NOTE: COMPONENTS R183, C114, C117, R215, C30, C19, AND C23 ARE ALL DNS (DO NOT STUFF). THEY ARE FIXED SO THAT THEY WILL NOT GET FORCE UPDATED.



NX550P NA AC WIRING
SEP/29/2003

CH1254

M1158
NX550P
VER-1.00

ON FRONT PANEL