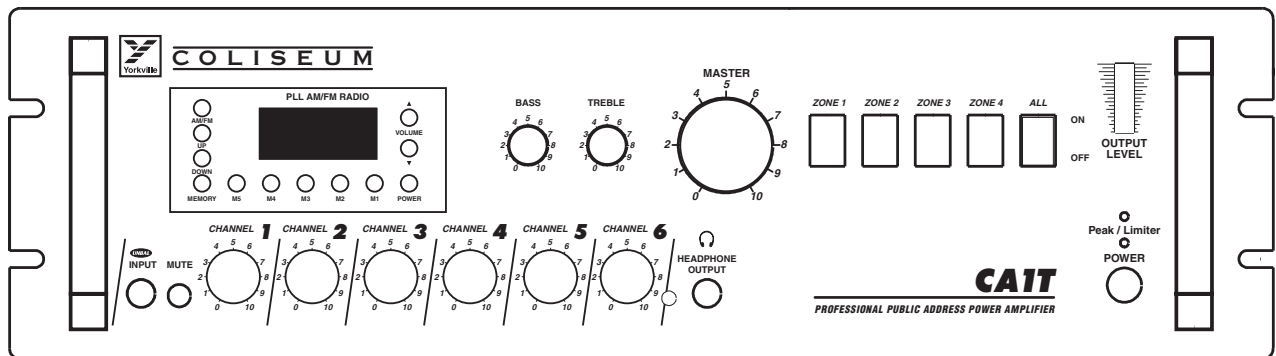




OWNER'S MANUAL PROFESSIONAL PUBLIC ADDRESS AMPLIFIER

CA1 • CA1T




IMPORTANT NOTES

- Before connecting and using this amplifier, carefully read the instructions contained in this manual. Please save for future reference.
- This manual is important to the operation of this product and must accompany it when changing owners. This will allow the new owner to get familiar with the product for installation, operation and safety.
- Faulty installation of this apparatus frees Yorkville Sound of all responsibility.

CAUTION

To prevent the risk of fire or electric shock, do not expose this equipment to rain or dampness.

SAFETY PRECAUTIONS

1. Please read the notes preceded by the symbol  with special attention, they provide important safety information.
2. The power supply voltage of the amplifier has a sufficiently high value to involve the risk of electrical shock; therefore, never install, connect, or disconnect the equipment with the power supply turned on.
3. The metal parts of this equipment are earthed by means of the power cable. If the power socket used to supply power does not have an earth connection, call a qualified electrician who will earth the equipment by means of the terminal.
4. Make sure that the power supply cable of the equipment cannot be trodden on, or crushed by objects to ensure that the cable is not damaged.
5. To prevent the risk of electric shock, never open the equipment: there are no parts inside that the user can use.
6. Make sure that no objects or liquids can get into the speaker, as this could cause a short circuit.
7. Never attempt to make any repairs that are not described in this manual. Contact your authorized service center or qualified personnel when:
 - The equipment does not function (or functions in an anomalous way).
 - The power supply cable has been seriously damaged.
 - Objects or liquids have got into the equipment.
 - The equipment has been subject to heavy impact.
8. If the equipment is not to be used for long periods of time, switch it off and disconnect the power supply cable.
9. If the equipment gives off any strange odors or smoke switch it off immediately and disconnect the power from the supply cable.

PRECAUTIONS

- Do not obstruct the ventilation grilles of the equipment.
- Avoid having the amplifier work on overload for a long period of time.
- Fully tighten the screw terminals in order to ensure safe contact.
- Do not force buttons, controls etc., when trying to use them.
- When cleaning external parts, do not use thinners, spirits, or any other volatile substances.


NOTES IMPORTANT

- Avant de brancher et d'utiliser cet amplificateur, lisez soigneusement les instructions contenues dans ce manuel. Veuillez conserver pour références futures.
- Ce manuel est important pour l'opération de ce produit et doit l'accompagner lorsque le produit change de propriétaire. Ceci permettra au nouveau propriétaire de se familiariser avec le produit pour l'installation, l'opération et la sûreté.
- L'installation inadéquate de cet appareil libère Yorkville Sound de toute responsabilité.

ATTENTION

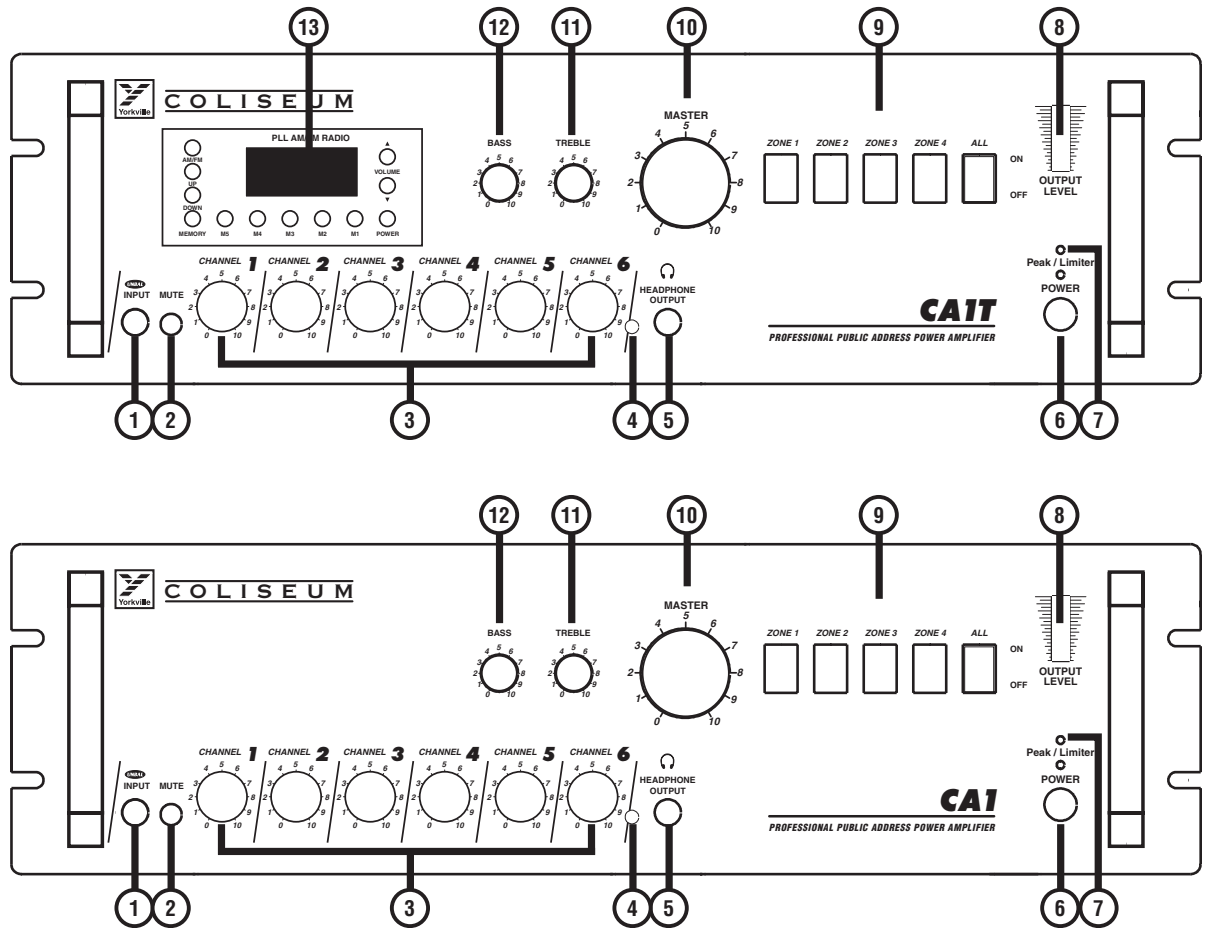
Pour prévenir le risque du feu ou de décharge électrique, n'exposez pas cet équipement à la pluie ou à l'humidité.

PRÉCAUTIONS DE SÛRETÉ

1. Veuillez lire les notes qui sont précédé par le symbole  avec une attention particulière, elles fournissent des informations importantes de sûreté.
2. La tension d'alimentation de l'amplificateur est suffisamment élevée pour impliquer le risque de choc électrique ; donc ne jamais installez, branchez ou débranchez l'équipement lorsque son bloc d'alimentation est allumé
3. Les pièces en métal de cet équipement sont mises à la terre à l'aide du cordon d'alimentation. Si la prise de branchement utilisée pour fournir l'alimentation n'est pas équipée d'un raccordement à la masse, contactez un électricien qualifié qui fera le nécessaire pour assurer que l'équipement est bien raccordé à la masse.
4. Assurez-vous que le cordon d'alimentation de l'équipement ne peut pas être marché dessus, ou être écrasé par des objets pour prévenir l'endommagement du cordon.
5. Pour empêcher le risque de décharge électrique, n'ouvrez jamais l'équipement : il n'y a à l'intérieur aucune pièces que l'utilisateur ne peut employer
6. Assurez-vous qu'aucun objet ou liquide ne peut entrer dans le haut-parleur, car ceci pourrait causer un court-circuit.
7. N'essayez jamais de procéder à des dépannages qui ne sont pas décrits dans ce manuel. Contactez votre centre de service autorisé ou personnel qualifié lorsque:
 - L'appareil ne fonctionne pas (ou fonctionne anormalement).
 - Le cordon d'alimentation a été sérieusement endommagé.
 - Objets ou liquides ont pénétré à l'intérieur de l'appareil.
 - L'équipement a été sujet à l'impact important.
8. Si vous prévoyez ne pas utiliser l'appareil pour une longue période de temps, éteignez le et déconnectez le cordon d'alimentation.
9. Si l'équipement dégage une odeur inhabituelle ou si il émet de la fumée éteignez le immédiatement et déconnectez l'alimentation du cordon d'alimentation.

PRÉCAUTIONS

- N'obstruez pas les grilles de ventilation de l'équipement.
- évitez de faire travailler l'amplificateur en surcharge pour de longue périodes de temps.
- Serrez complètement les vis des bornes pour assurer un contact sûr.
- Ne forcez pas les boutons, les commandes etc., en essayant de les employer.
- En nettoyant les pièces externes, n'employez les diluants, les spiritueux, ou aucune autre substance volatile.



Description

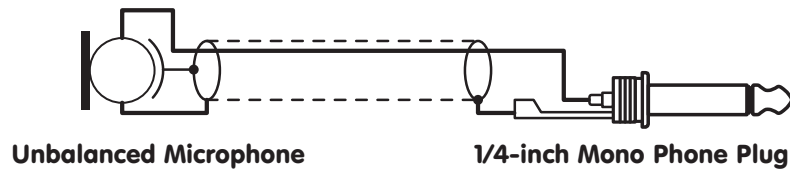
The amplifiers in the CA1, CA1T series have been expressly designed for transmitting announcements through all PA sound systems. They incorporate the following functions:

- One unbalanced 6.3 mm microphone input jack, microphone sensitivity.
- Three combo jacks (XLR and 6.3 mm) inputs, line/microphone switchable sensitivity with selectable 24VDC phantom power supply
- 2 stereo RCA inputs, four stage with selectable sensitivity
- 600Ω telephone paging input
- 1 PRE OUT output
- 1 MONITOR OUTPUT and 1W/8Ω slave output for monitoring musical signals
- 1 MAIN IN input
- Input 1 priority on the other inputs with vocal activation
- Input 1, 2, 3, 4 priority on the other inputs, activation with contact
- Outputs for speakers with constant impedance (4-ohm) and constant voltage (25-70-100V)
- Treble and bass controls
- VU-meter with LED's
- Protection against short-circuiting between output terminals
- Direct current supplies 24 Vdc
- Optional zone paging functions, four zone paging and all zone paging
- Optional DTS AM/FM tuner (Only CA1T)

Controls and Functions

1. CHANNEL 1 Input

This unbalanced input lets you connect a low-impedance dynamic microphone (30-600 ohms). The connector uses 6.3 mm phone jack. The input features VOICE PRIORITY, which overrides all other input signals once a microphone message is sensed. If you want to have this function disabled permanently, please contact a Yorkville Sound Service Center.



2. MUTE Switch

This switch lets you turn VOICE PRIORITY on or off for INPUT 1 (1).

3. Input Level Controls

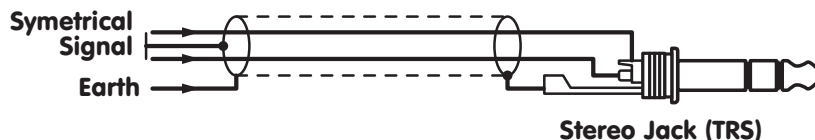
These controls let you individually set the volume of the sound source that is connected to INPUT 1, INPUT 2, INPUT 3, INPUT 4, AUX 1 and AUX2 / TAPE. Turning the control clockwise increases the volume of the corresponding source. We recommend to leave the controls of the inputs not used to their minimal setting of "0."

4. Music Signal Monitor Output Level Control

This control lets you set the volume of the sound output that is connected to the MONITOR OUTPUT (5) and 1W/8Ω (31). Turning the controls clockwise increases the volume of the corresponding source.

5. MONITOR Output

This allows the signal output of the AUX1, AUX2 / TAPE, CASSETTE and TUNER to be monitored. It can be used to control an audio appliance with input with impedance over 600ohms (e.g. earphone or an additional amplifier etc.). The output signal is controlled only by the volume controls of the AUX1, AUX2 / TAPE, TUNER and music signal level control



(4). This function also behaves as a toggle switch for the 1W/8Ω (31) additional loudspeaker.

6. POWER Switch

Using the POWER switch lets you turn the main power on or off.

7. Indicator

When switching the amplifier's power on, the Peak/Limiter indicator lights momentarily. When the amplifier's output overloads, the OVERLOAD indicator lights and interrupts the output. For best equipment life, adjust the volume to a lower setting.

8. LED VU-Meter

This LED indicator displays the signal's output level. For proper operation of the amplifier, a correct volume setting is of major importance. The first eight LED segments on the lower portion represent the area between -20dB and 0dB, in which the output level should be kept. If the last two segments on the upper portion are lit for a long period of time, this means that the output signal is being driven into clipping (which usually results in audible distortion). You need to adjust the volume to a lower setting.

9. Zone Selection Switches

Speaker lines of each zone (Z1 ~ Z4) can be connected or disconnected independently. To connect the speaker lines, turn the switch on. To disconnect the speaker lines, turn the switch off.

Individual zones can be selected by turning these switches on or off. All speakers connected to a specific zone may be turned on or off in this manner. The ALL switch overrides the individual switches and switches all zones on, regardless of whether or not the individual zone switch is on or off.

10. MASTER Volume Control

The setting of this control determines the output level that is present at the loud-speaker OUTPUT. We recommend to generally adjust the MASTER and the input level controls at moderate settings. Extreme settings, when the MASTER is set to maximum output, and the input controls are nearly set to their minimum or vice versa are not recommended.

11. Common TREBLE Control

When turned clockwise this control enhances the high frequency reproduction, while turning it counter-clockwise attenuates the treble frequencies. If the control is set to its center position, the overall frequency response is not being altered.

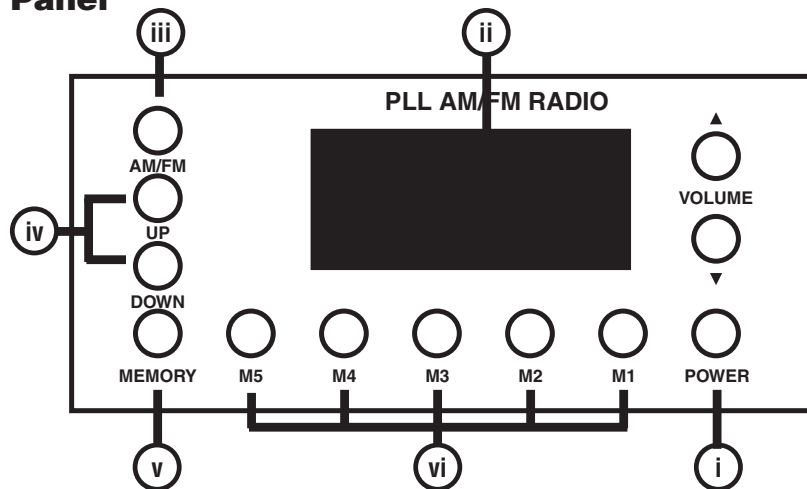
12. Common BASS Control

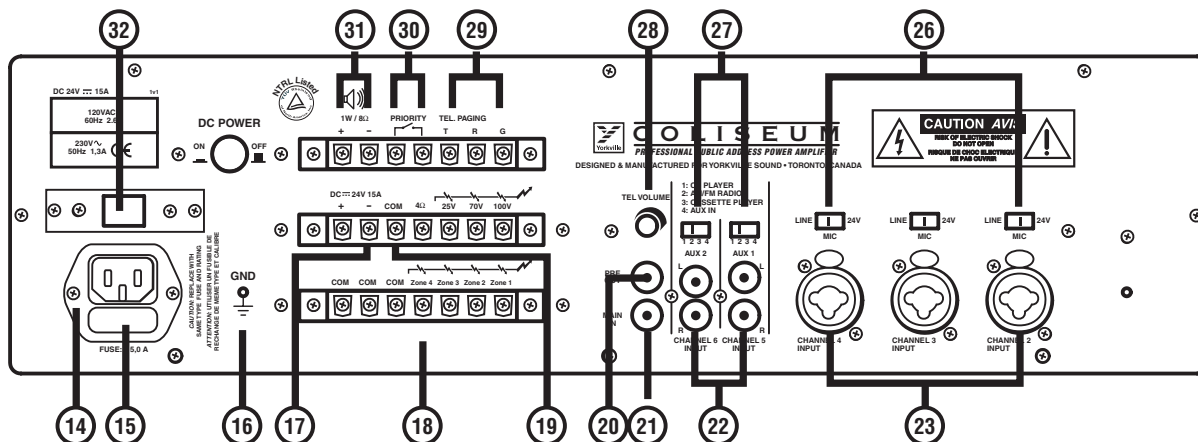
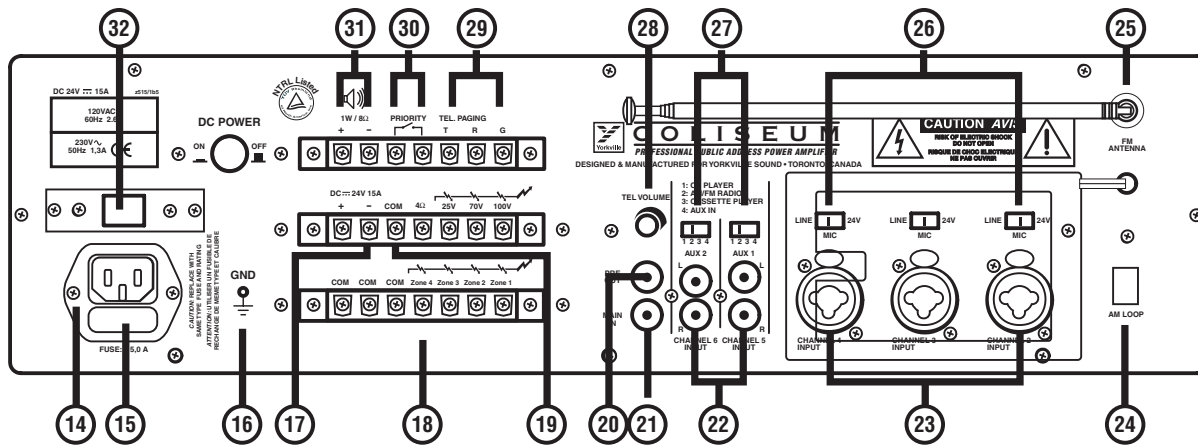
When turned clockwise this control enhances the low frequency reproduction, while turning it counter-clockwise attenuates the bass frequencies. If the control is set to its center position, the overall frequency response is not being altered.

13. Optional DTS AM/FM Tuner (Only CAIT)

- i. **Radio ON/OFF and volume control (VOL)** The radio can be operated if this knob is rotated clockwise and an indication appears on the display (ii). Rotate the volume control clockwise to increase the radio's output signal level.
- ii. **Display** This display indicates the tuned frequency and memory number. When the display is off, the radio does not work.
- iii. **AM/FM Radio Selection Button (AM/FM)** Use this button to select the desired band. The band alternates between AM and FM with each depression of this button.
- iv. **Tuning Button (UP/DOWN)** Use this button to select the desired station. If the down button is pressed for longer than 1.5 seconds. The AM frequency automatically decreases at 10kHz intervals, while the FM frequency automatically decreases at 0.1MHz intervals, till the radio is tuned in. To stop the selection manually, press the down key again during automatic tuning. Similarly, press the UP button will increase the AM frequency at 10kHz intervals and FM frequency at 0.1MHz intervals. The selection stops when radio is tuned in or the UP key is pressed again.
- v. **MEMORY Button** If the button is pressed, then press selection button (M1-M5), the frequency shown on the display is stored together with the memory number. Stored data is kept for about one week even when the power is not supplied.
- vi. **Selection Button (M1-M5)** Up to five of each of AM and FM stations can be stored. Press this button for shows the stored station frequency and memory number on the display (ii).

Rear Panel





Controls and Functions

14. Main Cord Connector

This connector is meant to connect the supplied mains (power) cord.

15. AC Fuse

The fuse protecting the AC (alternating current) circuits of the equipment. The fuse should only be changed in the event of a fault, or changing the supply voltage which should be done by at a Yorkville Sound service center.

16. GND Screw

In case the mains outlet being used does not have a ground conductor, this screw offers the possibility to ground the amplifiers metal parts. Leave this procedure to an experienced, qualified electrician to ensure safety.

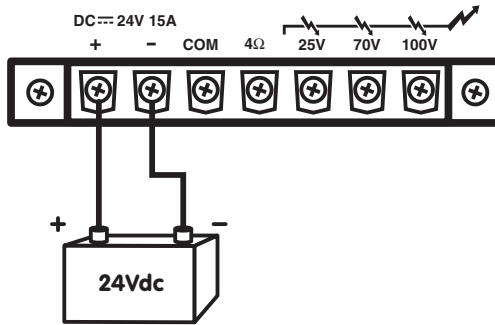
17. Terminals for the DC Battery Supply

These two terminals allow the connection of an external 24 Vdc power supply (e.g. a 24Vdc battery). In this way continuous operation of the amplifier is maintained even during a power outage, since it is automatically switched to the DC power source.

Note: The amplifier is not capable of recharging the connected battery. Thus, it is recommended to have a suitable device at hand. When the amplifier is operated on the DC power source, the nominal power handling capacity drops by approximately 20%.

18. Zone Output Terminal Strip

This output terminal connects to the speaker lines. Total speaker wattage is up to



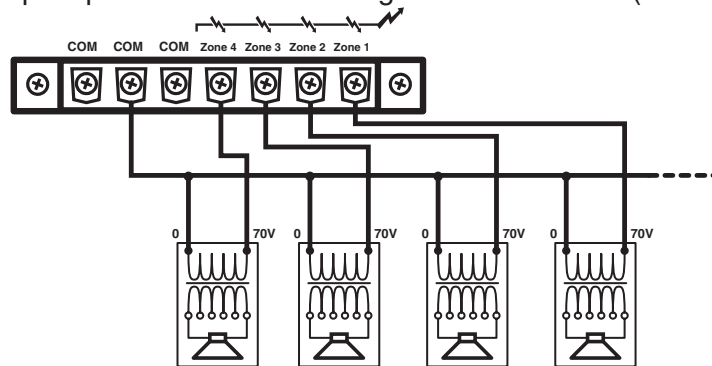
nominal power for zones 1-4. When using a zone selector low-impedance speakers cannot be used, default is constant voltage 70V output.

19. Output Terminal Strip

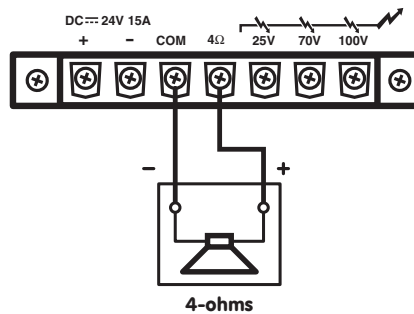
These 5 terminals allow connecting speakers.

20. PRE OUT Terminal Strip

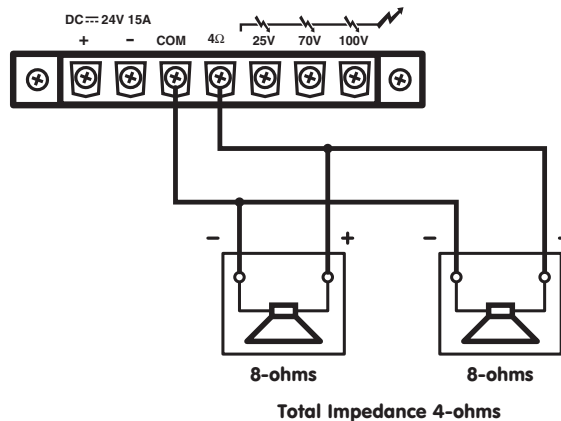
This terminal strip outputs the mixed audio signals of all sources (that are connected

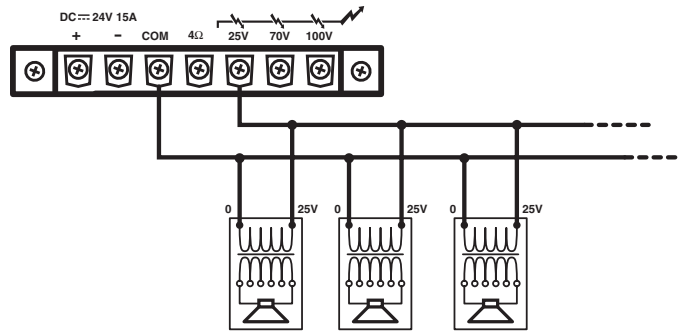


Connecting the speakers to 70V output

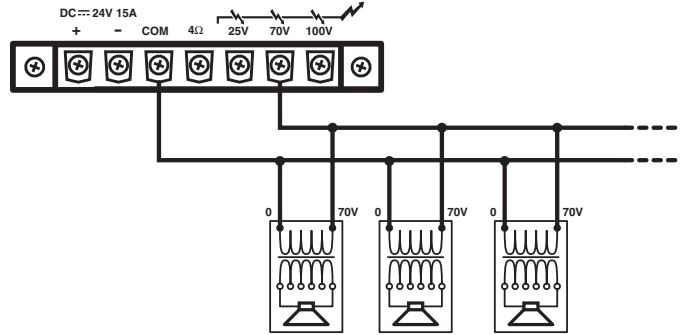


Connecting the speakers to 4-ohm output

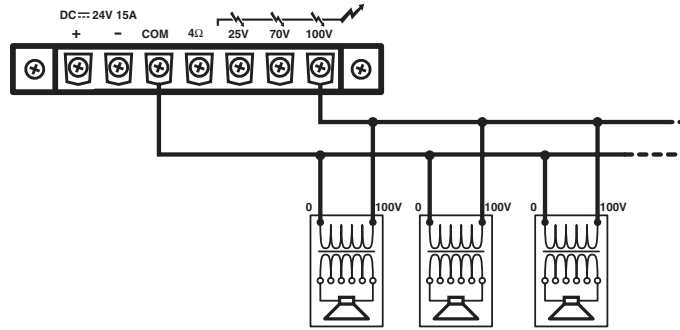




Connecting the speakers to 25V output



Connecting the speakers to 70V output



Connecting the speakers to 100V output

to the amplifier's inputs) and can be used to feed an external power amplifier, a signal processor (e.g. an equalizer) or any other external appliance. The unbalanced signal is affected by the individual input controls. Before using the PRE OUT you need to remove the bridging-strip between this binding post and the MAIN IN terminal (21).

21. MAIN IN Terminal Strip

After removing the bridging-strip between the PRE OUT and the MAIN IN terminals you can use an external signal processor (e.g. an equalizer) in the audio-chain between the pre-amplifier and the power output stage of the power amplifier. This opportunity provides a proper solution whenever shaping or improving the audio signal is necessary (adjusting delay times, equalizing, eliminating the Larsen-effect, etc.). The input is unbalanced, and is affected by the tone controls and the master volume control.

22. AUX 1 and AUX 2 Inputs

These two RCA-type connectors let you connect the two channels of an external high-level unbalanced signal source, such as an AM/FM tuner, a cassette deck, a CD player etc. Use input sensitivity switch (27), suitable for difference appliances.

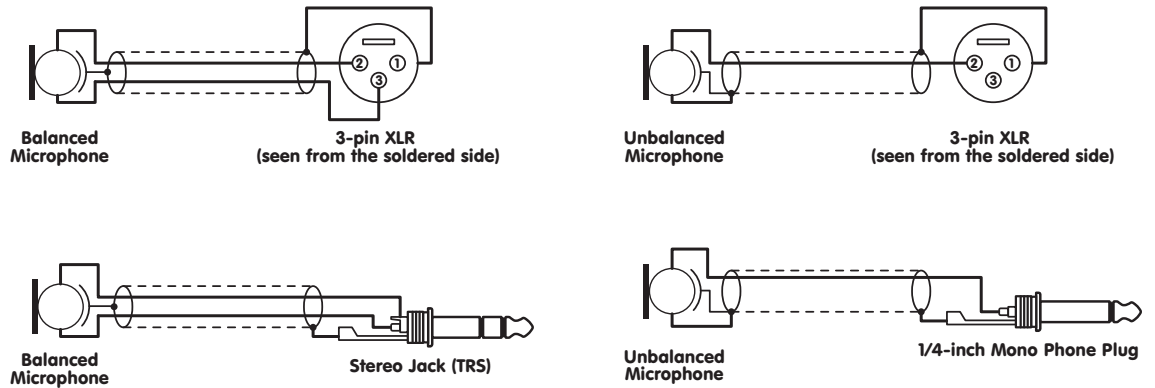
23. INPUT 2, INPUT 3 and INPUT 4 Inputs

These three balanced/unbalanced combination type jack (XLR and 6.3mm) inputs



are meant for the connection of condenser type microphones that use 24V phantom power, dynamic microphones (30-600 ohms) or a high level sound source (e.g. AM/FM tuner, cassette desk, CD player, etc.). In case you are using it is necessary to use the switch (26).

Note: Connecting unbalanced microphones to the amplifier when the phantom is switched on could lead to severe damage on the microphones and is therefore not



recommended. It is absolutely mandatory to perform any plugging or unplugging of microphone cables with the phantom power turned off. Also, make sure that the phantom power is turned off when using microphones that are not meant to be operated with phantom power. The voltage is present on pin2 and pin3 of the XLR-connector could lead to severe damages on the microphones. When in doubt, please consult the owner's manual of the questionable microphone or contact your dealer before you perform any connections.

24. AM Loop Antenna (CA1T Only)

This antenna for receives AM frequency band waves.

25. FM Antenna (CA1T Only)

This antenna for receives FM frequency band waves.

26. INPUT 2, INPUT 3 and INPUT 4 Inputs Sensitivity and XLR Phantom Power 24V Switch

By turning these switches to the LINE position INPUT 2, INPUT 3 and INPUT4 can be connected to an audio source with high level signal output. By turning these switches to the MIC position the INPUT 2, INPUT 3 and INPUT4 can be connected to a dynamic microphone with low impedance. By selecting the switch to the 24V position, connects the 24V phantom supply on the XLR (pin2 and pin3) of INPUT 2, INPUT 3 and INPUT4. This is necessary to operate condenser type microphones which require this type of external supply.

It is recommended to use this switch with the master volume set to minimum.

27. Input Sensitivity Switch (AUX1, AUX2)

By setting these switches onto the "1" position the AUX1 and AUX2 inputs are suitable for connecting a CD-player. By setting these switches onto the "2" position the AUX1, AUX2 input is suitable for connecting an AM/FM radio signal output. By setting these switches onto the "3" position, the AUX1, AUX2 input are suitable for connecting to a desktop cassette player signal output. By setting these switches to the "4" position, the AUX1, AUX2 input are suitable for connected high-level signal outputs.

28. Telephone Paging Input Level Control

This control allows you to set the volume of the sound source that is connected to the

TEL. Paging (29) terminal. Turning control clockwise increases the volume of the corresponding source. We recommend to leave the control at their minimal setting of "0" if not used.

29. Input TEL. Paging

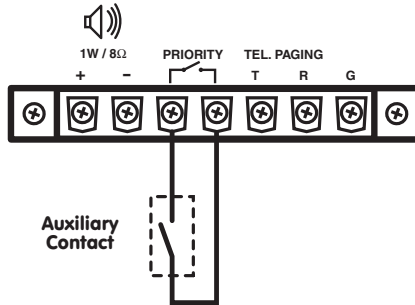
The terminal strip input lets you connect to a telephone signal (600 ohms). The input features a VOICE PRIORITY function, which overrides all other input signals once a telephone signal is sensed. If you want to have this function disabled permanently, please contact a Yorkville Sound Service Center.

30. Priority Terminal

When short-circuiting these terminals (i.e. by means of using an electrical switch), the audio signals coming from AUX1, AUX2/TAPE, CASSETTE and TUNER are attenuated while the signals coming from INPUT1, INPUT2 and INPUT4 have priority.

31. Output Terminal for Auxiliary Loudspeaker

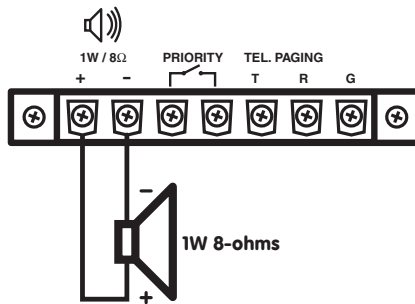
This terminal is meant to connect a small external loudspeaker that is driven by an



internal auxiliary power amplifier, providing a nominal output 1 watt. Only the mixed audio signal coming from AUX1, AUX2/TAPE, CASSETTE and TUNER are included in the outputted signal. In addition, the output signal is controlled only by the volume controls of the AUX1, AUX2/TAPE, TUNER and music signal level control (4). This function is toggled by the the MONITOR OUTPUT (5).

32. DC switch

This switch lets you turn the battery supply on or off



INSTALLATION NOTES

At all times, the amplifier has to be operated under appropriate conditions. This includes that the operation location provided sufficient ventilation and the device is

not exposed to direct sunlight or direct radiation or reflection from any heat source. Installing the loudspeaker systems choose a location that gets not affected by extreme and/or constant vibration or other mechanical oscillation. Also make sure that the speakers are installed at locations that are free from dust and/or moisture.

▲ CAUTION

We strongly recommend that you leave the connection of the appliance to the qualified and experienced service technical who is specialized in connecting electrical and electronically equipment. Do not take the risk of electro-shock or shock hazard. To reduce the risk of electro-shock all connections have to be accomplished before it is permissible to connect the amplifier to the main supply. Before connecting the appliance to the mains supply, once again make certain that all connections are carried out correctly and that no short-circuits exist. The overall sound reinforcement installation has to be in accordance to the laws regulations, standards and guidelines that are relevant and applicable in the country where the equipment is going to be operated.

AC POWER SUPPLY

▲ CAUTION

Before using the amplifier for the first time make sure that the appliance IS set in accordance to your mains supply. Otherwise, please consult your Yorkville dealer who will configure your equipment for the correct voltage. Connect the amplifier only to grounded mains outlets. Connecting the amplifier to the mains supply (115Vac respectively 230Vac) has to be accomplished by inserting the supplied mains cord into the corresponding socket (15) and afterward plugging it into a mains outlet.

DC POWER SUPPLY

▲ CAUTION

A 24V DC power source (i.e. a battery) has to be connected to the terminals (18) that are covered by the protective lid. To reduce the risk of dropping voltage to a minimum and to eliminate the danger of damaging the battery cables by thermal overload, these cables have to be at least 2.5mm² in diameter, each. Switching the amplifier on or off is performed through the power switch (33).

CONNECTING THE OUTPUT TERMINALS

▲ CAUTION

To avoid the risk of electrical shock, **never touch** the bare conductors leading to the output terminals of the amplifier when it is in operation. Under figures, show the possible connections of the OUTPUT speaker terminals accessible by removing the protective cover. Bear in mind the following rules:

Constant Impedance Lines

- The total impedance of the speakers connected **must correspond to that selected on amplifier's output terminals.**
- The sum of the power capacities of the speakers must be no lower than the amplifier's power capacity.
- The length of the connecting cables must be as possible; in any case, the longer the distance to be covered and the greater must be the cross-section of the cables.

Constant voltage lines

- Each speaker must be equipped with a line transformer with an input voltage equal to that of the line (25, 70, 100V).
- The sum of the power capacities of the speakers must **not exceed the output power capacity of the amplifier (i.e. total wattage of speakers installed in zones 1 through 4).**

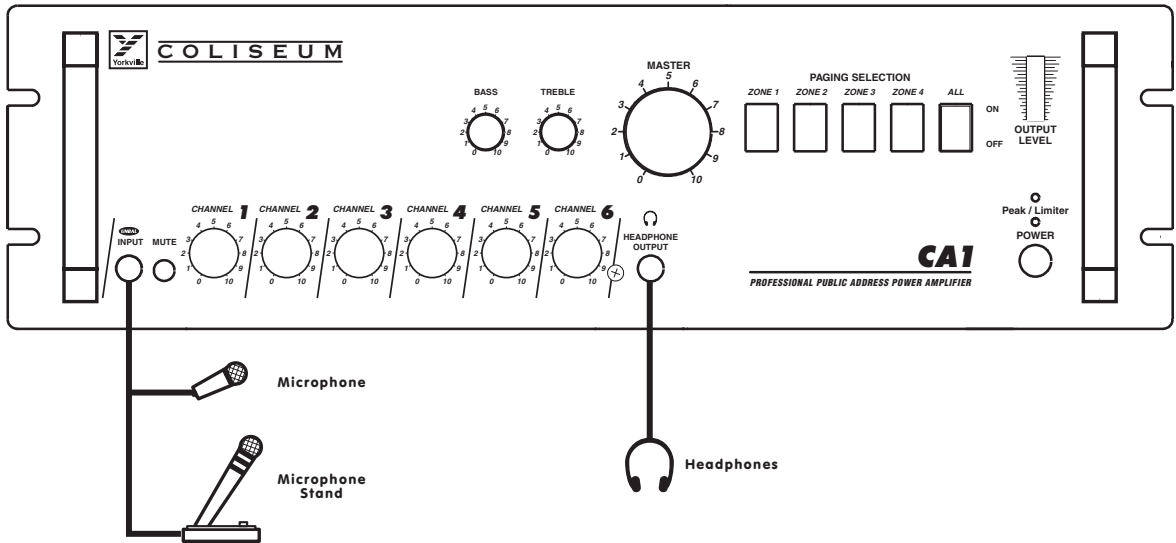
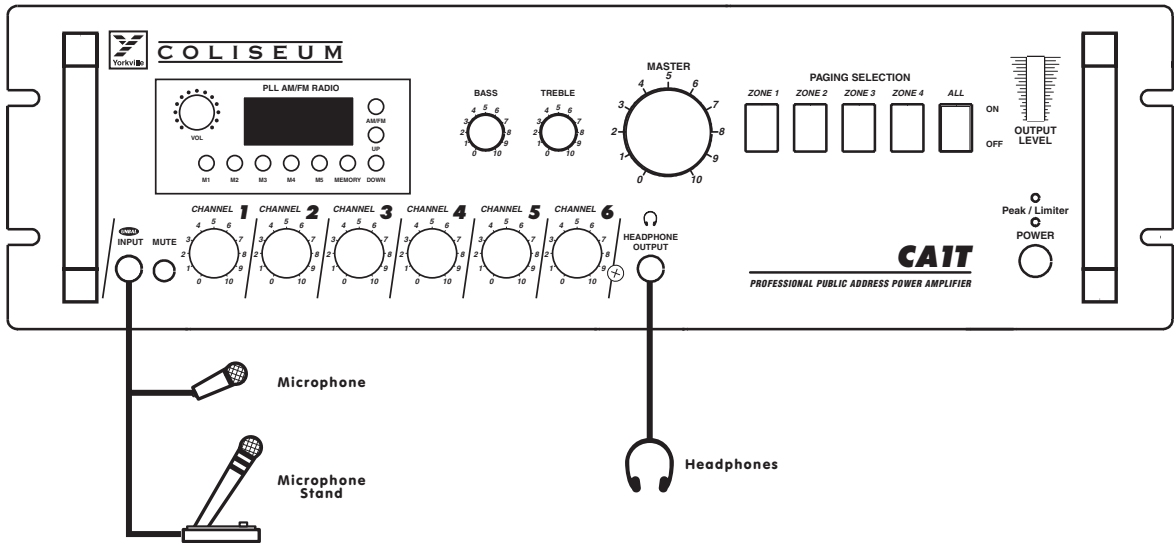
Technical data Amplifier section

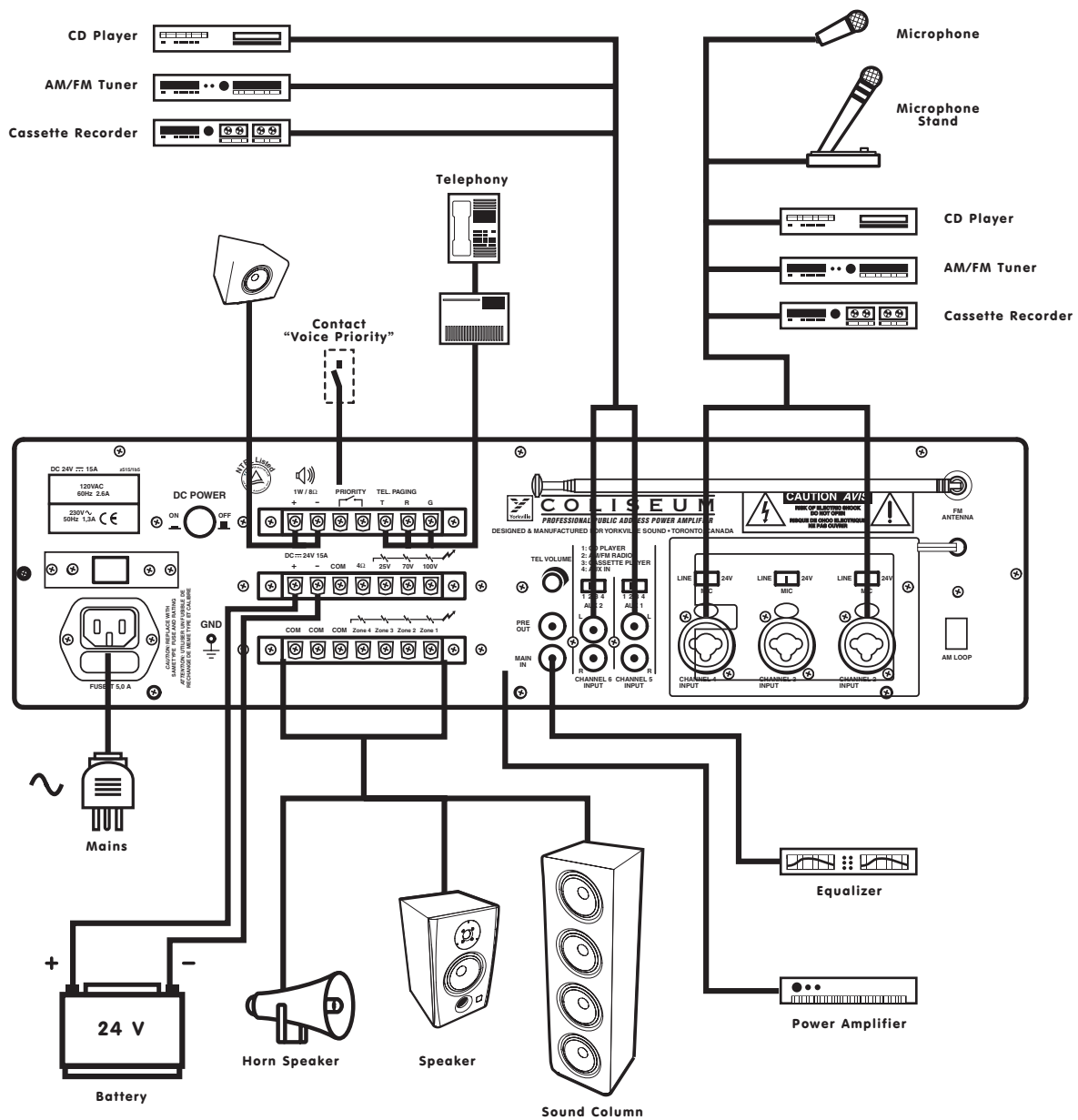
| | |
|---------------------------------------------|---------------------------------------------------------------------------------------------------------------------------------------------------------------------------------------------------------------------------------------------------------------------------------------------------------------------------------------------------------------------------------------------------------------------------------------------------------------------------------------------------------------------------------|
| Type | 60W-Mono-tabletop 120W-Mono-tabletop |
| Output power capacity | Nominal: 60W- maximum: 90W Nominal: 120W- maximum: 180W |
| Nominal power capacity with supply at 24Vdc | 45W 90W |
| Frequency response | 50-15,000Hz (± 3 dB) |
| Total harmonic distortion | $\leq 1\%$ (1 kHz-nominal power capacity) |
| Signal / noise ratio | INPUT 1-4, AUX 1 ,2: >45 dB MAIN IN: >55 dB |
| Inputs / sensitivity-impedance | INPUT 1 / 6.3mm jack / -54dB (2mV) -300 Ω / unbalanced INPUT 2-4 / XLR and 6.3mm combination socket / balanced Micro: -60dB (1mV) - 600 Ω Line: -22dB (75mV) -47K Ω AUX1-2 / stereo RCA jack / unbalanced 1: 0dB (1V) -240 Ω (for CD player) 2: -6dB (500mV)-120K Ω (for tuner radio) 3: -10dB (300mV) -75K Ω (for cassette player) 4: -20dB (100mV) -24K Ω (for auxiliary appliance) MAIN IN / mono RCA jack 1 0dB (1V) -10K Ω / unbalanced |
| Outputs for speakers / ohms | 4 ohms |
| Outputs for speakers / Volts | 25V-70V-100V (10 Ω , 83 Ω , 170 Ω) 25V-70V-100V (5 Ω , 42 Ω , 83 Ω) |
| Additional outputs / voltage-impedance | PRE OUT / mono RCA jack / 1V-600 Ω / unbalanced Loudspeaker / on terminal board / 1 watt-8 Ω Monitor output / 6.3mm jack / 1.5V-600 Ω / balanced |
| Tone controls | Bass ± 10 dB-100Hz Treble ± 10 dB-10kHz |
| Controls | 7 volume controls for INPUT 1-4, AUX1-2 and tel. paging 1 master volume control 1 treble control 1 bass control 5 zone paging select switch |
| Power supply / Consumption | 115/230 Vac ($\pm 5\%$)-60/50Hz / 200VA 115/230 Vac ($\pm 5\%$)-60/50Hz / 400VA |
| Direct current draw (24V) | 5A 10A |
| Dimensions (LxHxW) | 480mm x 320mm x 150 mm |
| Weight | CA1: 9kg CA1T: 12kg |

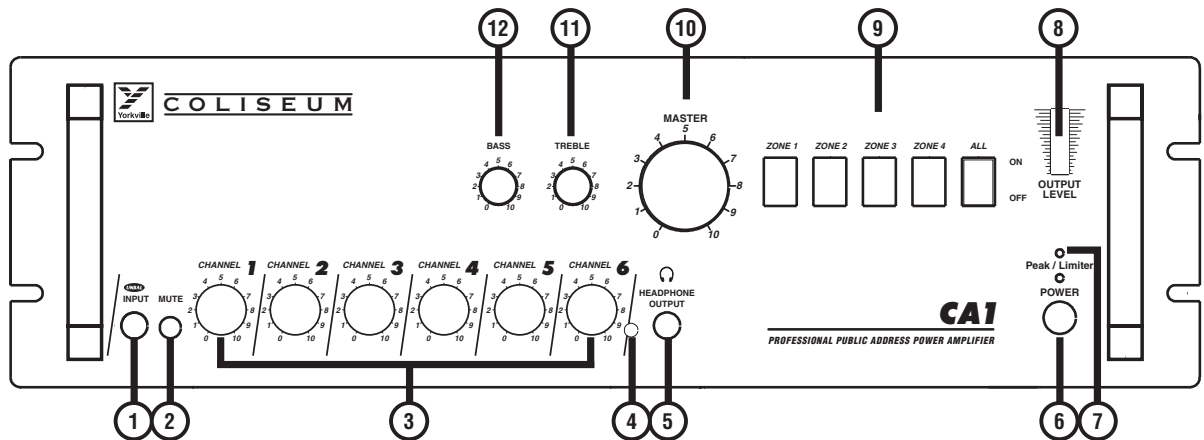
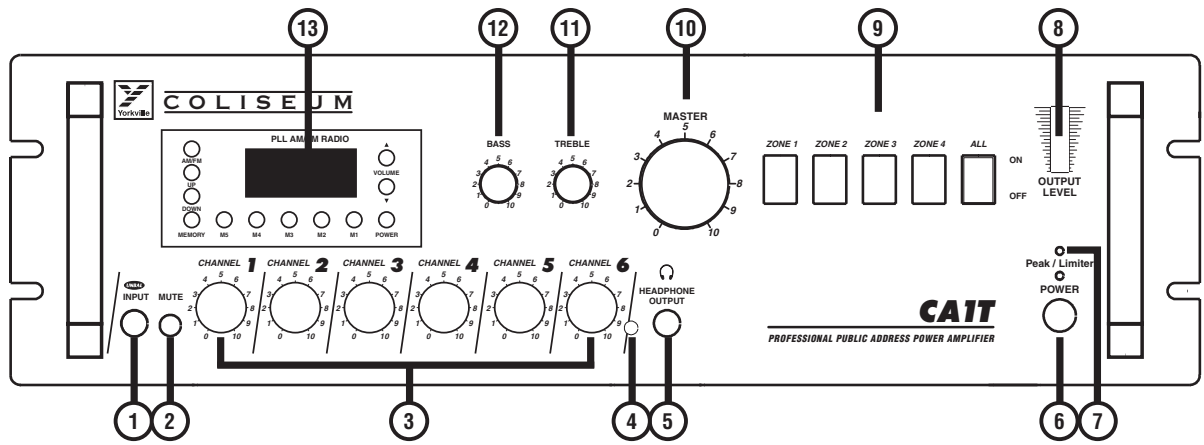
DTS radio tuner section

| | |
|--------------|----------------------------------------------------------------------------------------------------------------------------|
| Band | AM / FM |
| Tuning range | AM: 530kHz-1600kHz in 10kHz steps FM: 87.5MHz-108MHz in 100kHz steps |
| Controls | Radio ON / OFF with volume control Band selector button Frequency UP / DOWN button Memory button 5 memory buttons |
| Indicator | LCD |

Example of possible connections







Description

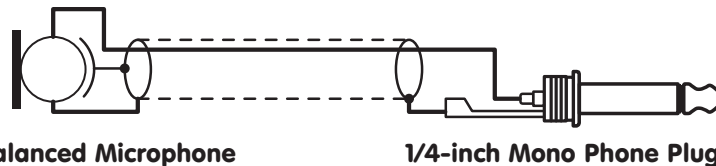
Les amplificateurs des séries CA1 et CA1T ont été expressément conçus pour la transmission d'annonces à travers tous les systèmes de sonorisation PA. Ils incorporent les fonctions suivantes :

- 1 prise d'entrée asymétrique pour microphone de 6.3 mm, sensibilité de microphone.
- 3 prises d'entrées combinées (XLR et 6.3 mm), ligne/microphone sensibilité commutable avec alimentation en duplex commutable de 24Vdc.
- 2 prises d'entrées stéréo RCA, quatre étage avec sensibilité commutable.
- Entrée téléphone de 600Ω pour dispositif de recherche de personne.
- 1 sortie PRE.
- 1 SORTIE MONITEUR et une sortie secondaire 1W/8Ω pour l'écoute des signaux musicaux.
- 1 ENTREE PRINCIPALE.
- Entrée 1 avec priorité sur les autres entrée et avec activation par la voix.
- Entrées 1, 2, 3, 4 avec priorité sur les autres entrées, activation par contacte.
- Sorties pour haut-parleurs avec impédance constante (4-ohm) et voltage constant (25-70-100 V).
- Contrôles d'aigues et de graves.
- Vu-mètre avec DEL.
- Protection contre les courts-circuits entre les bornes de sorties.
- Alimentation de courant direct 24 Vdc.
- Fonction de dispositif de recherche à zone optimale, dispositif de recherche pour quatre zones et pour toutes les zones.
- Syntoniseur AM/FM DTS optionnel. (CA1T seulement.)

Contrôles et Fonctions

1. ENTRÉE 1

Cette entrée asymétrique vous permet de relier un microphone dynamique de basse impédance (30-600 ohms). Le connecteur permet le raccordement d'une fiche de 6.3 millimètres. L'entrée comporte le dispositif de PRIORITÉ de VOIX, qui étouffe tous autres signaux d'entrée une fois qu'un message de microphone est détecté. Si vous désactiver cette fonction de manière permanente, contactez un centre de service autorisé pour les produits de Yorkville Sound.



2. Sélecteur MUTE

Ce sélecteur permet d'activer ou de désactiver le dispositif de PRIORITÉ de VOIX pour l'ENTRÉE 1 (1).

3. Commande de Niveau d'Entrée

Ces commandes vous permettent d'ajuster individuellement le volume de la source sonore qui est reliée à l'ENTRÉE 1, l'ENTRÉE 2, l'ENTRÉE 3, l'ENTRÉE 4, AUX 1 et AUX2 / TAPE. La rotation de la commande dans le sens horaire augmente le volume de la source correspondante. Nous recommandons de laisser les commandes de niveau des entrées non utilisées à leur réglage minimal de « 0. »

4. Commande de Niveau de Sortie de Moniteur de Signal de Musique

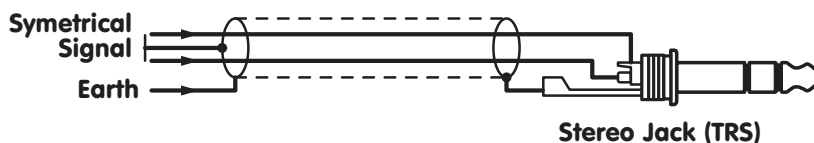
Cette commande vous permet de régler le volume de la sortie sonore qui est raccordé à la SORTIE MONITEUR (5) et 1W/8Ω (31). La rotation des commandes dans le sens horaire augmente le volume de la source correspondante.

5. Sortie MONITEUR

Cette sortie permet l'écoute des signaux raccordé aux entrées AUX1, AUX2 / TAPE, CASSETTE et TUNER. Il peut être employé pour commander un appareil audio avec une impédance d'entrée au-dessus de 600ohms (ex. : écouteurs ou amplificateur additionnel) Le signal de sortie est contrôlé seulement par les commandes de volume pour AUX1, AUX2 / TAPE, TUNER et commande de volume pour la musique (4). Cette fonction se comporte également comme interrupteur à levier pour haut-parleurs 1W/8Ω (31) additionnels.

6. Commutateur d'Alimentation

Utilisez ce commutateur d'alimentation pour allumer et éteindre l'appareil.



7. Indicateur

L'indicateur Peak/Limiter s'illuminera temporairement lorsque vous mettez l'appareil en marche. Lorsque les sorties d'amplificateur sont surchargées, l'indicateur OVERLOAD s'allume et les signaux à la sortie sont interrompus. Pour prolonger la vie de votre appareil, ajustez le volume à un réglage réduit.

8. VU-Mètre à DEL

Cet indicateur à DEL affiche le niveau de sortie du signal. Pour le fonctionnement approprié de l'amplificateur, un réglage correct du volume est d'importance majeure. Les huit premiers segments de DEL sur la partie inférieure représentent le secteur entre -20dB et 0dB, dans lequel le niveau de sortie devrait être gardé. Si les deux derniers segments sur la partie supérieure sont allumés pendant une longue période, ceci signifie que le signal de sortie est amené en écrêtage (qui a habituellement comme conséquence la distorsion audible). Vous devez ajuster le volume à un niveau inférieur.

9. Commutateur de Sélection de Zone

Les lignes de haut-parleur pour chaque zone (Z1 ~ Z4) peuvent être connectés ou déconnectés indépendamment. Pour connecter les lignes de haut-parleur, réglez le commutateur à la position ON. Pour déconnecter les lignes de haut-parleur, réglez le commutateur à la position OFF.

Les zones individuelles peuvent être sélectionnées en réglant ces commutateurs à ON ou OFF. Tous les haut-parleurs connectés à une zone spécifique peuvent être armés ou désarmés de cette façon. Le commutateur ALL l'emporte sur les commutateurs individuels et arme toutes les zones, peu importe la position du commutateur individuel pour chaque zone.

10. Commande MASTER Volume

Le réglage de cette commande détermine le niveau de sortie qui est présent à la sortie de haut-parleur. Nous recommandons de généralement ajuster la commande MASTER et les commandes de niveau d'entrée à des niveaux modérés. Des réglages extrêmes, quand la commande MASTER est ajustée au maximum, et les commandes d'entrée sont presque à leur niveau minimum ou vice versa ne sont pas recommandés.

11. Commande TREBLE Commune

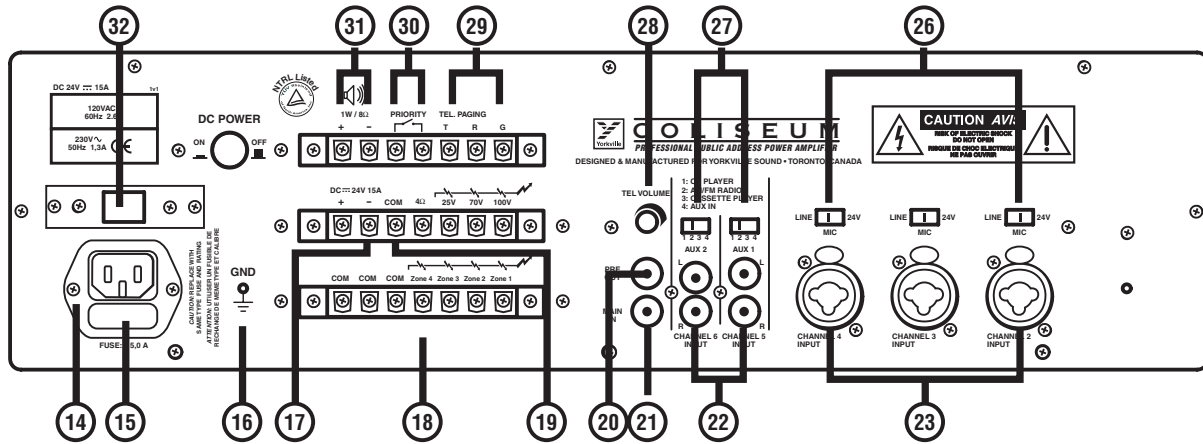
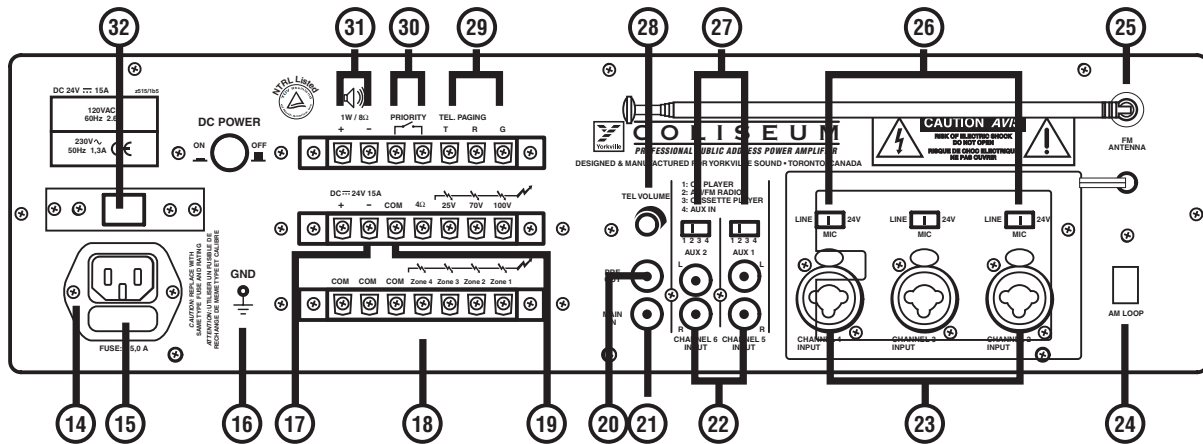
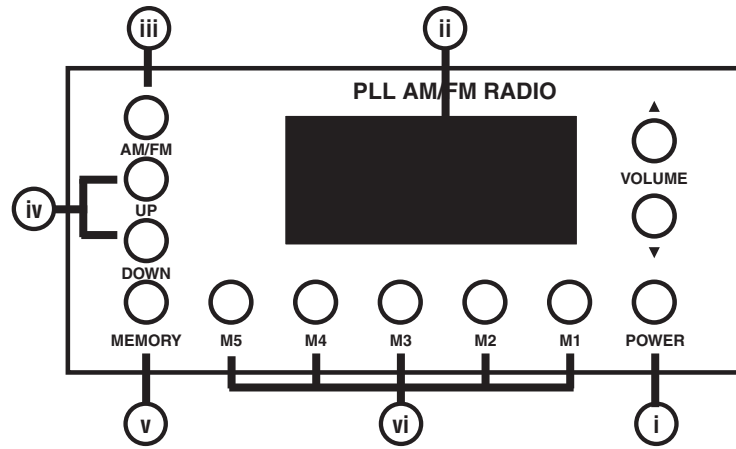
Tournez cette commande dans le sens horaire pour rehausser la reproduction des aiguës. Tournez-la dans le sens anti-horaire pour atténuer le niveau des aiguës. La réponse en fréquence en général n'est pas affectée si la commande est réglée à la position centrale.

12. Commande BASS Commune

Tournez cette commande dans le sens horaire pour rehausser la reproduction des graves. Tournez-la dans le sens anti-horaire pour atténuer le niveau des graves. La réponse en fréquence en général n'est pas affectée si la commande est réglée à la position centrale.

13. Syntoniseur AM/FM DTS Optionnel (CAIT seulement)

- i. **Radio ON/OFF et commande de volume (VOL)** La radio peut être utilisée si cette commande est tournée dans le sens horaire et une indication apparaît sur l'affichage (ii). Tournez la commande de volume dans le sens horaire pour augmenter le niveau du signal de sortie de la radio.
- ii. **Affichage** Cet affichage indique la fréquence sélectionnée et le numéro de mémoire.
- iii. **Bouton de sélection AM/FM pour la Radio** Utilisez ce bouton pour sélectionner la bande désirée. Avec chaque poussée du bouton vous alternez entre les bandes AM et FM.
- iv. **Bouton de syntonisation (UP/DOWN)** Utilisez ce bouton pour choisir la station désirée. Si vous appuyez sur le bouton "down" pendant plus de 1.5 seconde, la fréquence AM diminue automatiquement à des intervalles de 10kHz, alors que la fréquence FM diminue automatiquement à des intervalles de 0.1MHz, jusqu'à ce que la radio soit syntonisée. Pour arrêter manuellement à la sélection désirée, appuyez sur le bouton "down" à nouveau durant la syntonisation automatique. De même, en appuyant sur le bouton "up", vous augmenterez la fréquence AM à des intervalles de 10kHz et la fréquence FM à des intervalles de 0.1MHz. La sélection s'arrête lorsque la radio est syntonisée ou quand vous appuyez à nouveau sur le bouton « UP ».
- v. **Le Bouton MEMORY** Si vous appuyez sur ce bouton, et ensuite le bouton "selection" (M1-M5), la fréquence indiquée sur l'affichage est sauvegardée de même que le numéro de mémoire. L'information sauvegardée est gardée en mémoire pour environ une semaine même quand l'appareil n'est pas branché à une source d'alimentation.
- vi. **Bouton "Selection" (MI-M5)** Vous pouvez sauvegarder jusqu'à cinq stations AM et cinq FM. Appuyez sur ce bouton pour exposer la fréquence sauvegardée de station et le numéro de mémoire sur l'affichage (ii).



Panneau Arrière

Commandes et Fonctions

14. Connecteur pour cordon d'alimentation

Ce connecteur a pour fonction de permettre le raccordement du cordon d'alimentation.

15. Fusible CA

Le fusible protège les circuit CA (Courant Alternatif) de l'appareil. Le fusible devrait être changé seulement en cas de mal fonctionnement, ou si la tension d'alimentation doit être changée ce qui devrait être fait par un centre de service autorisé par Yorkville Sound.

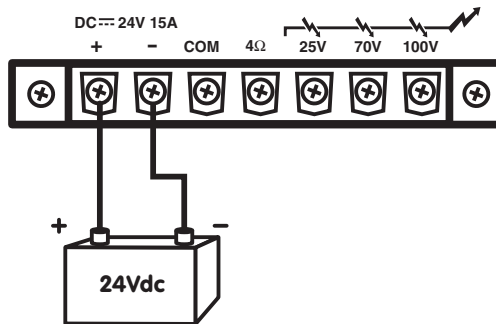
16. Visse de Raccordement à la Masse (GND)

Dans les cas où la prise d'alimentation ne permet pas le raccordement à la masse, cette visse offre la possibilité de raccorder les pièces de métal de l'amplificateur à la masse. Pour assurer la sûreté, gardez cette procédure pour un technicien qualifié et expérimenté.

17. Bornes pour Alimentation avec Batterie CC

Ces deux bornes permettent la connexion d'une source d'alimentation externe de 24 Vcc (ex. une batterie 24Vcc). De cette façon l'opération continue de l'amplificateur est maintenue même durant une panne d'électricité, puisqu'il commute automatiquement sa source d'alimentation à la source CC.

Note: L'amplificateur n'est pas capable de recharger la batterie connectée. Il est donc recommandé d'avoir un dispositif approprié à portée de main. Quand l'amplificateur est opéré avec un source d'alimentation CC, la capacité de puissance nominale est réduite d'approximativement 20%.

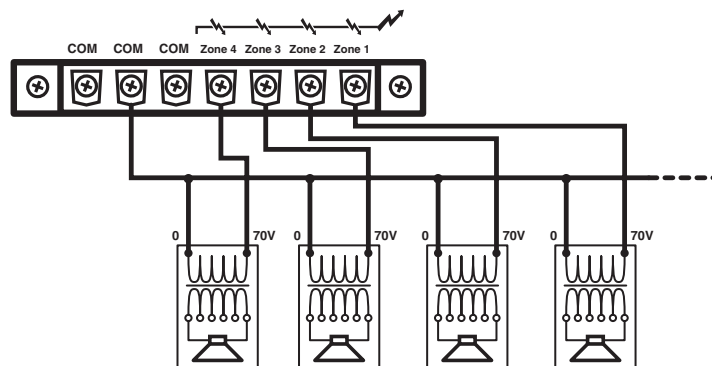


18. Barrette de Connexion De Sortie De Zone

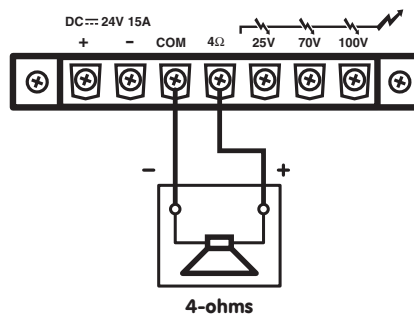
Cette borne de sortie permet le raccordement des lignes pour haut-parleur. La puissance de consommation totale des haut-parleurs est jusqu'à la puissance nominale pour les zones 1-4. Lors de l'utilisation d'un sélecteur de zone, les haut-parleurs de basse impédance ne peuvent pas être utilisés, par défaut la sortie est une tension constante de 70V.

19. Barrette de Connexion De Sortie

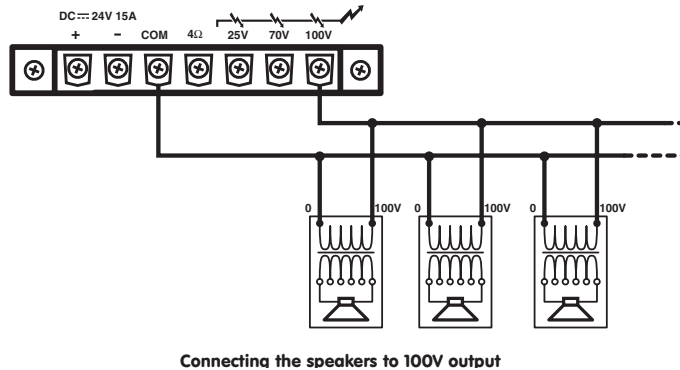
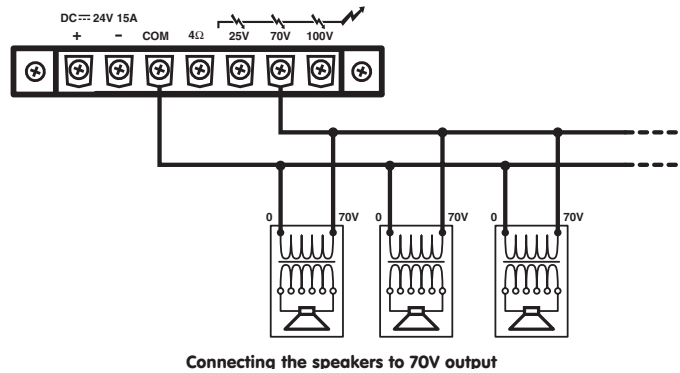
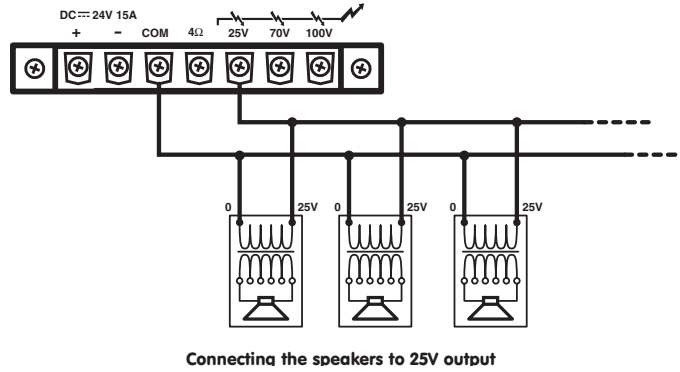
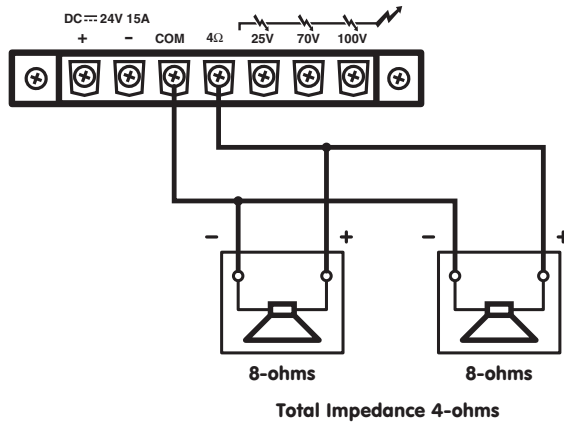
Ces cinq bornes permettent le branchement de haut-parleurs.



Connecting the speakers to 70V output



Connecting the speakers to 4-ohm output



20. Barrette de Connexion Sortie Pre

Cette borne plate fournit le mélange audio des signaux de toutes les sources (qui sont connectées aux entrées de l'amplificateur) et elle peut être utilisé pour acheminer un amplificateur externe de puissance, un processeur de signal (ex. un égalisateur) ou tout autre appareil externe. Le signal asymétrique est affecté par les commandes d'entrée individuelle. Avant d'utiliser la sortie PRE OUT vous devez enlever la bande de pont entre cette borne et la borne « MAIN IN » (21).

21. Barrette de Connexion MAIN IN

Après avoir enlevé la bande de pont entre la borne PRE OUT et la borne MAIN IN, vous pouvez utiliser un processeur externe de signal (ex. Un égalisateur) dans la chaîne audio entre le préamplificateur et l'étage de sortie de puissance de l'amplificateur de puissance. Cela permet une solution correcte lorsqu'il est nécessaire de manipuler ou d'améliorer le signal audio (ajustement de temps de retard, égalisation, élimination de l'effet Larsen, etc.). L'entrée est asymétrique, et elle est affectée par les commandes de tonalité et la commande de volume principale.

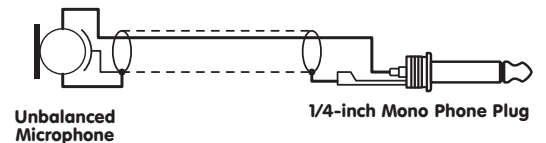
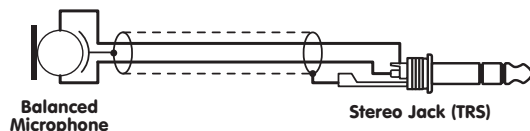
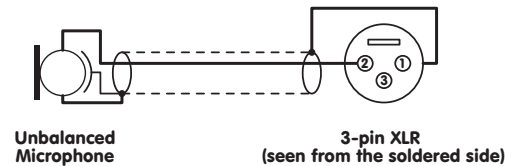
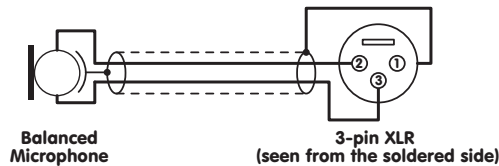
22. Entrées AUX 1 et AUX 2

Ces deux connecteurs de type RCA vous permet de brancher les deux canaux d'une source externe de signale asymétrique à haut niveau, comme syntoniseur AM/FM, magnétophone à cassette, lecteur CD etc. Utilisez le sélecteur de sensibilité d'entrée (27), approprié pour les différents appareils.



23. ENTRÉE 2, ENTRÉE 3 et ENTRÉE 4

Ces trois prises d'entrées combinées symétriques/asymétriques (XLR et 6.3mm) sont conçues pour le raccordement de microphones électrostatiques qui utilisent une alimentation en duplex de 24V, le raccordement de microphones dynamique (30-600 ohms) ou le raccordement d'une source sonore avec niveau élevé (ex. syntoniseur AM/FM, magnétophone cassette, lecteur CD, etc.). Dans le cas où vous l'utilisez il est nécessaire d'utiliser le commutateur (26).



Note: Il n'est pas recommandé de brancher des microphones asymétriques à l'amplificateur lorsque l'alimentation en duplex est activée puisque cela pourrait causer des dommages important aux microphones. Il est absolument impératif de procéder au branchement ou au débranchement des câbles de microphones seulement lorsque l'alimentation en duplex n'est pas activé. De plus, assurez-vous que l'alimentation en duplex n'est pas activée lorsque vous utilisez des microphones qui ne sont pas conçus pour opérer avec une telle alimentation. Le voltage présent aux tiges 2 et tige 3 pourrait causer des dommages important au microphone. En cas d'incertitude, consultez S.V.P. le manuel de l'utilisateur du microphone en question ou contactez votre revendeur avant d'effectuer toute connexions.

24. Antenne Boucle AM (CA1T Seulement)

Cette antenne reçoit la bande de fréquences AM.

25. Antenne FM (CA1T Seulement)

Cette antenne reçoit la bande de fréquences FM.

26. ENTRÉE 2, ENTRÉE 3 et ENTRÉE 4 Sensibilité d'entrée et Commutateur d'alimentation en duplex 24V sur prise XLR

En réglant ces commutateurs à la position LINE, les entrées 2, 3 et 4 peuvent être connecté à une source audio avec signal de sortie à niveau élevé. En réglant ces commutateurs à la position MIC les entrées 2, 3 et 4 peuvent être connectés à des microphones dynamiques à basse impédance. Lorsque le commutateur est réglé à la position 24V, l'alimentation en duplex 24V est connectée aux tiges 2 et 3 de la prise XLR sur les entrées 2, 3 et 4. Ceci est nécessaire pour l'opération de microphones de type électrolytiques qui requièrent ce type d'alimentation externe.

Il est recommandé d'utiliser ce commutateur avec la commande de volume principale réglée au niveau minimum.

27. Sélecteur de Sensibilité d'Entrée (AUX1, AUX2)

Lorsque ce sélecteur est à la position "1" les entrées AUX1 et AUX2 peuvent accepter les signaux de sortie provenant de lecteur CD. Lorsque le sélecteur est à la position "2" les entrées AUX1 et AUX2 peuvent accepter les signaux de sortie provenant de radio AM/FM. Lorsque ce sélecteur est à la position "3" les entrées AUX1 et AUX2 peuvent accepter les signaux de sortie provenant de magnétophone à cassette. Lorsque ce sélecteur est à la position "4" les entrées AUX1 et AUX2 peuvent accepter les signaux de sortie de niveau élevé.

28. Commande de Niveau d'Entrée Pour Dispositif de Recherche par Téléphone

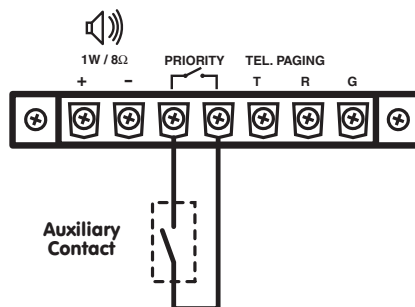
Cette commande vous permet de régler le volume du signal de source raccordé à la borne TEL. Paging (29). En tournant la commande dans le sens horaire vous augmentez le volume de la source correspondante. Nous vous recommandons de garder la commande à son réglage minimum de "0" lorsque le dispositif de recherche n'est pas utilisé.

29. Entrée Dispositif de Recherche TEL.

La barrette de connexion d'entrée vous permet de connecter un signal de téléphone (600 ohms). L'entrée comporte un dispositif de PRIORITÉ de VOIX, qui étouffe tous autres signaux d'entrée une fois qu'un signal de téléphone est détecté. Si vous voulez avoir cette fonction désactivée de manière permanente, entrez en contact avec un centre de service Yorkville Sound.

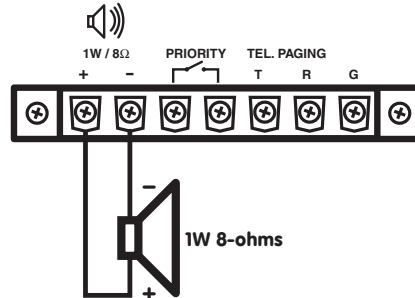
30. Bornes "Priority"

Lorsque vous créez un court-circuit avec ces bornes (ex. En utilisant un commutateur électrique), les signaux audio provenant des entrées AUX1, AUX2/TAPE, CASSETTE et TUNER sont atténués alors que les signaux provenant des entrées INPUT1, INPUT2 et INPUT4 ont priorité.



31. Borne de Sortie Pour Haut-Parleur Auxiliaires

Cette borne a pour fonction de permettre le raccordement d'un petit haut-parleur externe qui est entraîné par un amplificateur interne de puissance auxiliaire, qui offre une puissance nominale de sortie de 1 watt. Seul le signal audio mélangé provenant des entrées AUX1, AUX2/TAPE, CASSETTE et TUNER sont inclus dans le signal généré. De plus, le signal de sortie est contrôlé seulement par les commandes de volume des entrées AUX1, AUX2/TAPE, TUNER et la commande de volume du signal de musique (4). Cette fonction est basculée par la sortie MONITOR (5).



32. Sélecteur CC

Ce sélecteur vous permet d'activer ou de désactiver la source d'alimentation par batterie

NOTES POUR INSTALLATION

À tout moment, l'amplificateur doit être opéré dans des conditions appropriées. Ceci inclut que l'endroit d'opération fourni une ventilation suffisante et que l'appareil n'est pas exposé à la lumière directe du soleil ou le rayonnement ou la réflexion direct d'aucune source de chaleur. Pour l'installation du système de haut-parleur choisissez une location qui ne sera pas affecté par une vibration constante ou extrême ou par tout autre oscillation mécanique. Assurez-vous aussi que les haut-parleurs sont installés dans des endroits qui sont libre de poussières et/ou humidité.

⚠ ATTENTION

Nous vous recommandons fortement de laisser le raccordement de l'appareil à un technicien de service qualifié et expérimenté qui se spécialise dans le raccordement d'appareil électrique et électronique. Évitez de prendre des risques qui pourraient causer les chocs électriques. Pour réduire le risque de chocs électriques, toutes les connexions doivent être complété avant qu'il ne soit permit de brancher l'amplificateur à la source d'alimentation principale. Avant de connecter l'appareil à la source d'alimentation principale, encore une fois assurez-vous que toutes les connexions ont été faite correctement et qu'il n y a aucun court-circuit dans le système. L'installation générale du système de renforcement de son doit être faite en accordance avec les lois, les standards et les directives qui sont approprié et applicable dans le pays où l'équipement va être utilisé.

SOURCE D'ALIMENTATION CA

⚠ ATTENTION

Avant d'utiliser l'amplificateur pour la première fois assurez-vous que l'appareil est réglé en accordance avec la source d'alimentation principale. Sinon, contactez votre revendeur Yorkville qui pourra configurer votre appareil pour un voltage d'opération approprié. Connectez l'amplificateur seulement à une source d'alimentation avec raccordement à la masse. Le raccordement de l'amplificateur à la source d'alimentation principale (115Vca ou 230Vca) doit être accomplit en insérant le cordon d'alimentation fournit au réceptacle correspondant (15) et ensuite en branchant le cordon à la prise murale d'alimentation.

BLOC D'ALIMENTATION CC

▲ ATTENTION

La source d'alimentation 24V CC (ex. une batterie) doit être connectée aux bornes (18) qui sont couverte par un couvercle protecteur. Pour réduire le risque de diminution de voltage à un minimum et pour éliminer le risque d'endommager les câbles de batterie par une surcharge thermique, ces câbles doivent avoir chacun un diamètre minimum de 2.5mm². La mise en marche de l'appareil est fait à l'aide du commutateur de mise en marche (33).

BRANCHEMENT DES BORNES DE SORTIE

▲ ATTENTION

Pour éviter les risques de chocs électriques, **ne touchez jamais** la barrette de connexion qui aboutit aux bornes de sortie de l'amplificateur lors de l'opération. Sous la section figures, vous verrez les connexions possibles de bornes de SORTIE de haut-parleur accessible en enlevant le couvercle protecteur. Considérez les règles suivantes:

Impédance de ligne constante

- L'impédance total des haut-parleurs connectés **doit corresponde à celle sélectionnée sur les bornes de sortie de l'amplificateur.**
- La somme de la capacité de puissance des haut-parleurs ne doit pas être plus basse que la capacité de puissance de l'amplificateur.
- La longueur des câbles servant au raccordement doit être gardé aussi courte que possible; dans tous les cas, plus la distance à couvrir est grande plus la section transversale des câbles doit être grande.

Lignes de voltage constante

- Chaque haut-parleur doit être équipé d'un transformateur de ligne avec un voltage d'entrée égale au voltage de ligne (25, 70, 100V).
- La somme de la capacité de puissance des haut-parleurs **ne doit pas excéder la capacité de puissance de sortie de l'amplificateur (ex. la capacité de consommation totale des haut-parleurs installé dans les zones 1 à 4).**

Information Technique

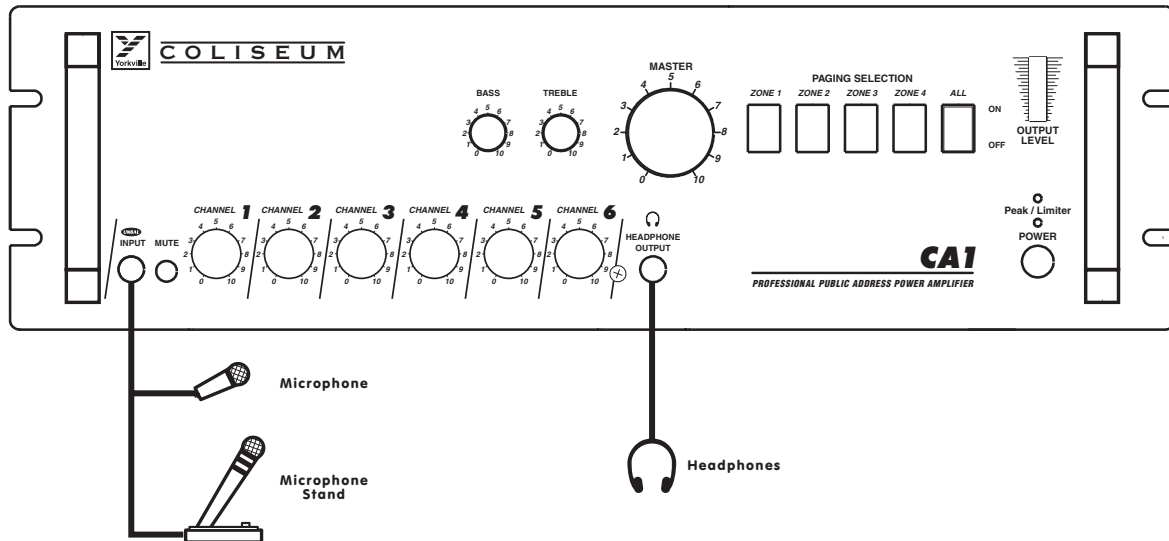
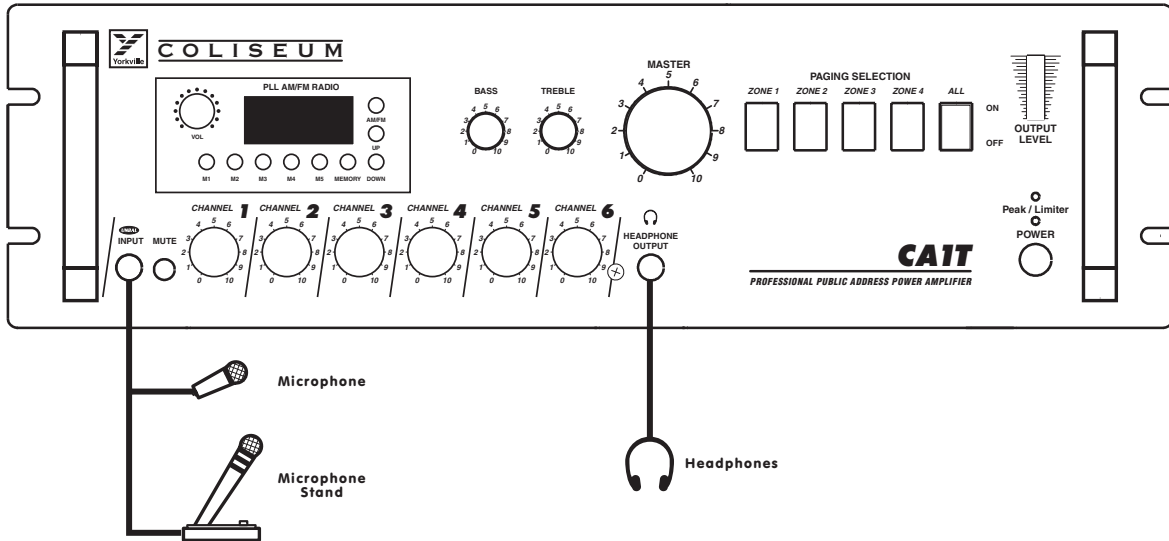
Section Amplificateur

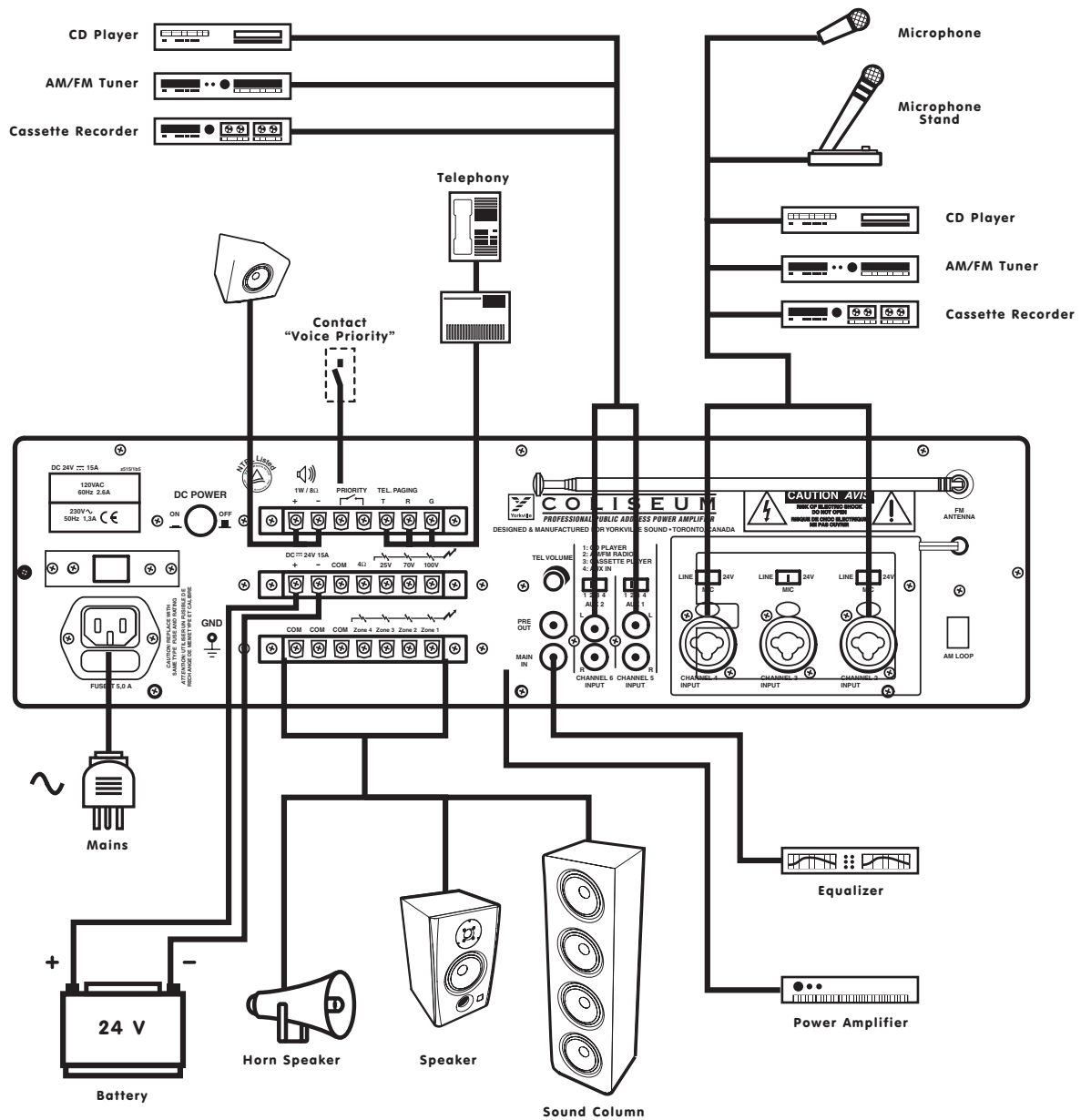
| | |
|-----------------------------------------------------------|---------------------------------------------------------------------------------------------------------------------------------------------------------------------------------------------------------------------------------------------------------------------------------------------------------------------------------------------------------------------------------------------------------------------------------------------------------------------------------------------------------------------------------------------------|
| Type | 60W-Mono-de table 120W-Mono-de table |
| Capacité de puissance de sortie | Nominal: 60W- maximum: 90W Nominal: 120W- maximum: 180W |
| Capacité de puissance nominale avec alimentation de 24Vdc | 45W 90W |
| Réponse en fréquence | 50-15,000Hz (± 3 dB) |
| Distorsion harmonique totale | $\leq 1\%$ (1 kHz-capacité de puissance nominale) |
| Rapport signal/ bruit | ENTRÉE 1-4, AUX 1 ,2: >45 dB ENTRÉE PRINCIPALE: >55 dB |
| Entrées / sensibilité, impédance | ENTRÉE 1 / 6.3mm jack / -54dB (2mV) -300 Ω / asymétrique ENTRÉE 2-4 / réceptacle combiné XLR et 6.3mm symétrique Micro: -60dB (1mV) - 600 Ω Line: -22dB (75mV) -47K Ω AUX1-2 / stéréo RCA jack / asymétrique 1: 0dB (1V) -240 Ω (pour lecteur CD) 2: -6dB (500mV)-120K Ω (pour radio) 3: -10dB (300mV) -75K Ω (pour magnétophone à cassette) 4: -20dB (100mV) -24K Ω (pour appareil auxiliaire) ENTRÉE PRINCIPALE/mono RCA jack 1 0dB (1V) -10K Ω /asymétrique |
| Sorties pour haut-parleurs / ohms | 4 ohms |
| Sorties pour haut-parleurs / Volts | 25V-70V-100V (10 Ω , 83 Ω , 170 Ω) 25V-70V-100V (5 Ω , 42 Ω , 83 Ω) |
| Sorties Additionnels / voltage impédance | PRE OUT / mono RCA jack / 1V-600 Ω / asymétrique Haut-parleur / sur tableau de terminale / 1 watt-8 Ω Sortie Moniteur/ 6.3mm jack / 1.5V-600 Ω / symétrique |
| Commandes de tonalité | Graves ± 10 dB-100Hz Aiguës ± 10 dB-10kHz |
| Commandes | 7 commandes de volume pour entrées 1-4, AUX1-2 et recherche tel. 1 commande de volume principale 1 commande d'aiguës 1 commande de graves 5 commutateurs de sélection de zone de recherche |
| Source d'alimentation / Consommation | 115/230 Vca ($\pm 5\%$)-60/50Hz / 200VA 115/230 Vca ($\pm 5\%$)-60/50Hz / 400VA |
| Tire de courant direct (24V) | 5A 10A |
| Dimensions (PxHxL) | 480mm x 320mm x 150mm |
| Poids | 9kg 12kg |

Section de syntoniseur de radio DTS

| | |
|------------------|--------------------------------------------------------------------------------------------------------------------------------------------------|
| Bandes | AM / FM |
| Plage de réglage | AM: 530kHz-1600kHz à intervalles de 10kHz FM: 87.5MHz-108MHz à intervalle de 100kHz |
| Commandes | Radio ON / OFF avec commande de volume Bouton sélecteur de bande Bouton UP / DOWN sélecteur de fréquence Bouton de rappel de 5 mémoires |
| Indicateur | DCL |

Exemple de connexions possibles







WEB: www.yorkville.com

**WORLD HEADQUARTERS
CANADA**

Yorkville Sound
550 Granite Court
Pickering, Ontario
L1W-3Y8 CANADA

Voice: (905) 837-8481
Fax: (905) 837-8746

U.S.A.

Yorkville Sound Inc.
4625 Witmer Industrial Estate
Niagara Falls, New York
14305 USA

Voice: (716) 297-2920
Fax: (716) 297-3689



Quality and Innovation Since 1963

Printed in China