



BASS MASTER
200

SERVICE MANUAL

**WORLD HEADQUARTERS
CANADA**

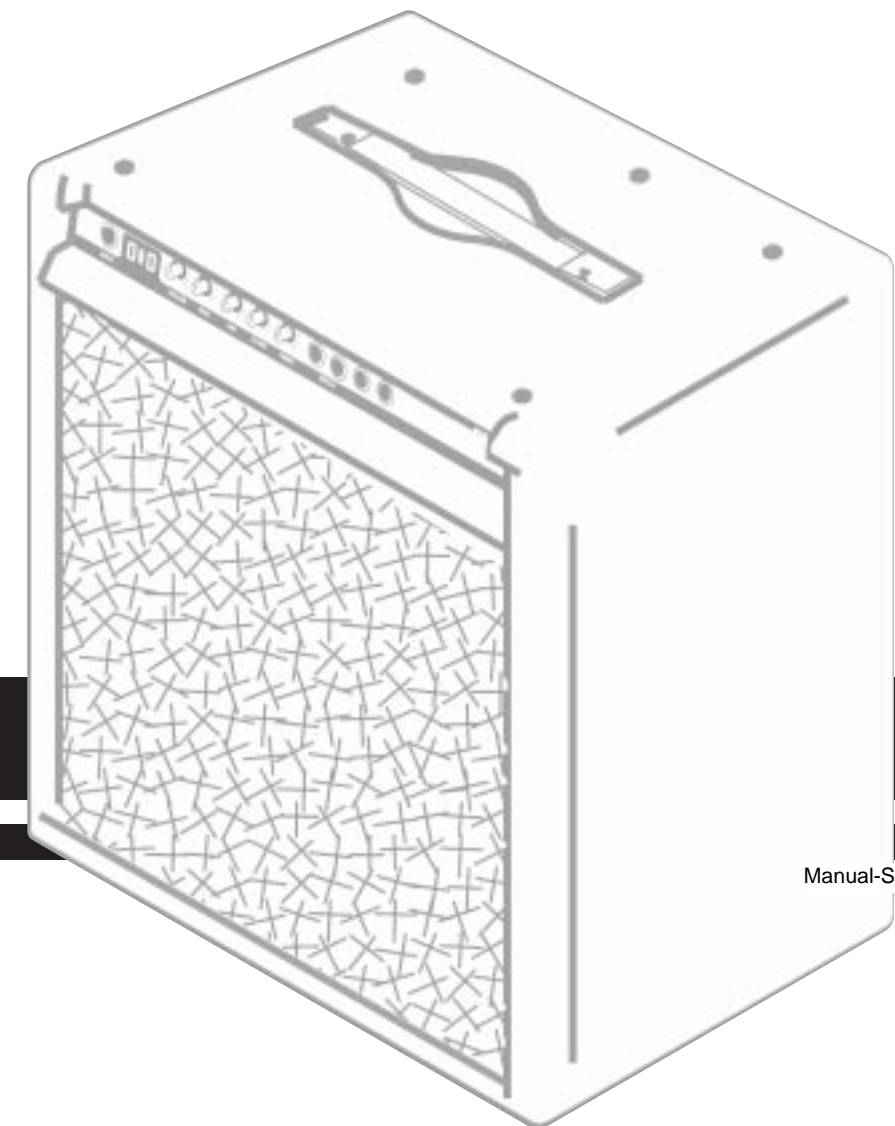
Yorkville Sound
550 Granite Court
Pickering, Ontario
L1W-3Y8 CANADA

Voice: (905) 837-8481
Fax: (905) 837-8746

U.S.A.

Yorkville Sound Inc.
4625 Witmer Industrial Estate
Niagara Falls, New York
14305 USA

Voice: (716) 297-2920
Fax: (716) 297-3689



Quality and Innovation Since 1963
Printed in Canada

Manual-Service-bm200-1v2 040901

IMPORTANT SAFETY INSTRUCTIONS



INSTRUCTIONS PERTAINING TO A RISK OF FIRE, ELECTRIC SHOCK, OR INJURY TO PERSONS.

INSTRUCTIONS RELATIVES AU RISQUE DE FEU, CHOC ÉLECTRIQUE, OU BLESSURES AUX PERSONNES.

CAUTION:

DO NOT REMOVE COVER (OR BACK). NO USER SERVICEABLE PARTS INSIDE.

REFER SERVICING TO QUALIFIED SERVICE PERSONNEL.

AFIN DE RÉDUIRE LES RISQUE DE CHOC ÉLECTRIQUE, N'ENLEVEZ PAS LE COUVERT (OU NE CONTIENT AUCUNE PIÈCE RÉPARABLE PAR L'UTILISATEUR.

CONSULTEZ UN TECHNICIEN QUALIFIÉ POUR L'ENTRETIEN.

Read Instructions:

The *Owner's Manual* should be read and understood before operation of your unit. Please, save these instructions for future reference.

Packaging:

Keep the box and packaging materials, in case the unit needs to be returned for service.

Warning:

When using electric products, basic precautions should always be followed, including the following:

Power Sources:

Your unit should be connected to a power source only of the voltage specified in the owners manual or as marked on the unit. This unit has a polarized plug. Do not use with an extension cord or receptacle unless all three blades can be fully inserted to prevent blade exposure. Precautions should be taken so that the grounding scheme on the unit is not defeated.

Power Cord:

The AC supply cord should be routed so that it is unlikely that it will be damaged. If the AC supply cord is damaged **DO NOT OPERATE THE UNIT.**

Service:

The unit should be serviced only by qualified service personnel.

Veillez lire le manuel:

Il contient des informations qui devraient étre comprises avant l'opération de votre appareil. Conservez S.V.P. ces instructions pour consultations ultérieures

Emballage:

Conservez la boîte au cas ou l'appareil devait étre retourner pour réparation.

Warning:

Attention: Lors de l'utilisation de produits électrique, assurez-vous d'adhérer à des précautions de bases incluant celle qui suivent:

Alimentation:

L'appareil ne doit étre branché qu'à une source d'alimentation correspondant au voltage spécifié dans le manuel ou tel qu'indiqué sur l'appareil. Cet appareil est équipé d'une prise d'alimentation polarisée. Ne pas utiliser cet appareil avec un cordon de raccordement à moins qu'il soit possible d'insérer complètement les trois lames. Des précautions doivent étre prises afin d'éviter que le système de mise à la terre de l'appareil ne soit désengagé.

Cordon d'alimentation:

Évitez d'endommager le cordon d'alimentation. **N'UTILISEZ PAS L'APPAREIL** si le cordon d'alimentation est endommagé.

Service:

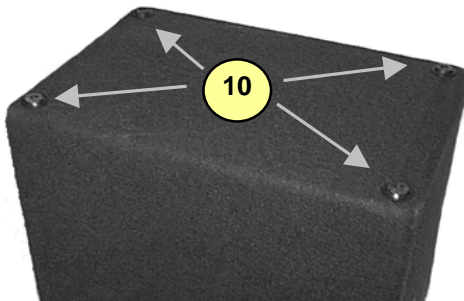
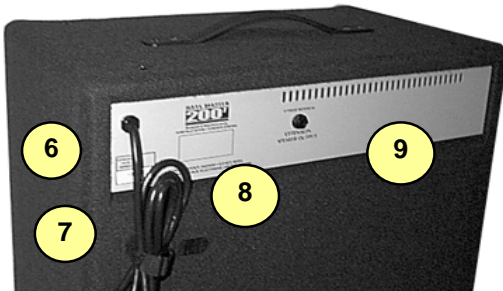
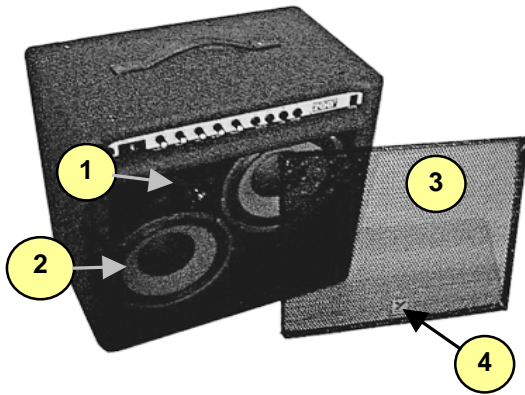
Consultez un technicien qualifié pour l'entretien de votre appareil.

YS No.	Description	Qty.	YS No.	Description	Qty.
6405	RED 3MM LED 1V7 5MA BRIGHT PACE	3	8898	1/4-20 CAGE NUT C7998142027	5
6434	6A2 200V 6A0 DIODE	4	3815	TO3 PREGREASED MICA 56-03-2AP	2
6438	1N4004 400V 1A0 DIODE T&R	4	3823	TO-220 THERMO CONDUCTIVE PAD	2
6825	1N4148 75V 0A45 DIODE T&R	9	4599	22AWG SOLID SC WIR T&R	32
6733	BAT85/11330V 0A2 DIODE SCHTKY T&R	10	5299	24AWG SOLID SC WIR RAD	2
6822	1N4745A 16V0 1W0 ZENER 5% T&R	4	4719	5.0W 0R18 5% BLK RES	2
6463	1N5251BRL 22V0 0W5 ZENER 5% T&R	1	4866	1/4W 4R7 5% T&R RES	2
5101	BC550C TO92 NPN TRANS. T&R	3	4675	1/2W 10R 5% T&R RES	1
5102	BC560C TO92 PNP TRANS. T&R	3	4750	5.0W 10R 5% BLK RES	1
5122	J102-J109 TO92 N CHAN J FETT&R	2	4812	1/4W 18R 5% T&R RES	1
6787	BD237 TO126 NPN TRANS	1	4618	1/2W 22R 5% T&R RES	2
6788	BD238 TO126 PNP TRANS	1	4817	1/4W 47R 5% T&R RES	2
6865	2N3773 TO3 NPN TRANS.	1	4811	1/4W 68R 5% T&R RES	1
6861	2N6609 TO3 PNP TRANS.	1	4852	1/4W 100R 5% T&R RES	1
6878	TL071CP IC FET OP AMP	1	4659	1/2W 150R 5% T&R RES	6
6882	TL072CP IC FET DUAL OP AMP	5	4859	1/4W 150R 5% T&R RES	3
6860	VTL5C8 OPTO-COUPLER	1	4857	1/4W 220R 5% T&R RES	1
6474	10R 3% 0W0 PTC THERMISTOR	1	4606	1/8W 249R 2%FLAME PROOF T&R RES	2
5404	.27P 100V 10%CAP T&R TUBULAR NPO	1	4736	5.0W 390R 5% BLK RES	1
5410	100P 100V 10%CAP T&R BEAD NPO	6	4872	1/4W 390R 5% T&R RES	1
5420	680P 50V 10%CAP T&R BEAD NPO	2	4821	1/4W 470R 5% T&R RES	3
5423	.1N2 50V 10%CAP T&R BEAD X7R	2	4726	5.0W 1K 5% BLK RES	2
5425	.1N8 50V 10%CAP T&R BEAD X7R	2	4823	1/4W 1K 5% T&R RES	4
5428	.3N3 50V 10%CAP T&R TUBULAR Y5R	3	4824	1/4W 1K5 5% T&R RES	1
6451	.4N7 250V 20%CAP AC Y ONLY RAD10MM	1	4919	1/4W 2K05 1%-NO SUBS- T&R RES	1
5433	.5N6 50V 10%CAP T&R BEAD X7R	2	4847	1/4W 2K2 5% T&R RES	3
5300	.10N 50V 10%CAP T&R BEAD X7R	1	4805	1/4W 2K87 1% T&R RES	1
5304	.22N 50V 10%CAP T&R BEAD X7R	1	4626	1/2W 3K3 5% T&R RES	11
6435	.22N 275V 20%CAP AC X2 RAD BLK15MM	1	4826	1/4W 3K3 5% T&R RES	2
5306	.33N 50V 10%CAP T&R BEAD X7R	2	4774	1/4W 4K12 1% T&R RES	3
5308	.47N 50V 10%CAP T&R BEAD X7R	2	4681	1.0W 4K7 5% T&R RES	2
5310	.68N 50V 10%CAP T&R BEAD X7R	2	4827	1/4W 4K7 5% T&R RES	9
5312	.82N 50V 10%CAP T&R BEAD X7R	1	4800	1/4W 10K0 1% T&R RES	3
5314	100N 50V 10%CAP T&R BEAD X7R	10	4829	1/4W 10K 5% T&R RES	5
5318	220N 50V 10%CAP T&R BEAD X7R	4	4773	1/4W 12K1 1% T&R RES	5
5234	470N 63V 10%CAP T&R RADIAL.2"FILM	1	4830	1/4W 15K 5% T&R RES	1
5322	470N 50V 10%CAP T&R BEAD Z5U	2	4902	1/4W 24K 5% T&R RES	4
5255	.1U 63V 20%CAP T&R RADIAL ELE.2"	1	4834	1/4W 47K 5% T&R RES	4
5256	.1U 63V 5%CAP T&R RADIAL.2"FILM	1	4838	1/4W 100K 5% T&R RES	3
5942	.3U3 100V 20%CAP RAD POLYFILM BULK	1	4874	1/4W 560K 5% T&R RES	5
5281	.10U 16V 20%CAP NONPOLAR T&R .2"	1	4844	1/4W 1M 5% T&R RES	2
5945	.10U 63V 20%CAP T&R RADIAL ELECTR	1	9896	CABINET COVER, MIDNIGHT BLUE, 54" W	18.404
5961	.33U 16V 20%CAP NONPOLAR T&R RAD	1	9048	.187 HOLE @ .250 STAG 18GA PYRAMID	2.41
5267	100U 25V 20%CAP T&R RADIAL ELE.2"	1	9150	.081" 48X96 UTILITY ALUMINIUM	4
5621	470U 63V 20%CAP RADIAL ELECT BULK	4	9548	.187" 48X96 UTILITY ALUM W/PLASTIC	0.236
5887	2200U 50V 20%CAP RADIAL ELECT BULK	2	9811	3/4"X4"X8" SPRUCE STAN. SHEATING	15.89
4529	470R TRIM POT	1	9815	1/2" POPLAR SELECT 1 4X4 ONLY	0.5
4409	10K 5C-REV/AUDIO STYLE"P14"16MM	1	8741	4-40 X 1/2 PAN PH MS JS500	2
4406	.50K 5B-LINEAR STYLE"P14"16MM	4	8832	6-32 X 1/4 PAN PH TAPTITE SJ500	2
713	25 X 20 X 50 2 MIL PLASTIC BAG	1	8801	6-32 X 3/8 PAN PH TAPTITE SJ500	2
3819	5UH COIL 18AWG R000 AIR CORE	1	8835	6-32 X 1/2 PAN QUAD MS TIN PLATED	4
8547	PLASTIC FOOT BLACK	4	8823	6-32 X 1 PAN PH TAPTITE SJ500	2
3478	CLIP 205/187X032 18-22AWG DISCO/INS	2	8878	#6 X 2" PAN PHIL TYPE A JS500 BLACK	4
3489	CLIP 250X032 18-22AWG DISCO/INSL	5	8803	8-32 X 3/8 PAN QUAD TAPTITE SJ500	9
3491	CLIP 205/187X020 18-22AWG DISCO/INS	4	8767	#8 X 3/4 PAN PHIL TYPE A JS500 BLK	4
3682	250 MALE PCB TAB BULK ON CATRIGE	10	8785	#8 X 3/4 OVAL PH TYPE A JS500 BLACK	4
3498	M203-02 PLAIN PC MNT JK SKT	3	8624	10-32 X 1/2 HEX HD MS JS500 BLK	4
3523	M203-02A GOLD TIP PC MNT JK SKT	2	8756	#10 X 3/4 PAN PH TYPE A JS500 BLACK	4
3527	M203-02B GLOD SLV PC MNT JK SKT	1	8781	#10 X 7/8 FLAT PHIL TYPE A JS500BLK	6
3451	0.089 OD SMALL EYELET ELECTROPLATED	13	8843	10-32 X 1 1/8 FLAT PH MS SJ500	2
3414	INTERNATIONAL PC MOUNT FUSEHOLDER	2	8786	10-32 X 1 1/4 PAN QD MS JS500 BLACK	4
2407	2.5 AMP SLO-BLO .25X1.25 FUSE	1	8770	1/4-20 X 1 5/16 TRUSS PH MS JS500	5
8458	10.5" STRAP HANDLE, PLASTIC COVERS	1	8905	YORKVILLE PRODUCT SCHEMATIC	1
8604	10-32 T NUT	6	8663	11/64 NYLON SPACER (MICRO PLASTIC)	4
7417	8R 30W TWEETER PIEZO TLC 1	1	3741	.5 SPACER ID-.171 OD-.25 #912-500	2
3501	B52200F006 COMP WASH #4 SMALL	2	7347	15" 4R 200W SPEAKER BASS	1
3804	SNAP ON 1.5" INSULATING BUSHING	1	3421	DPDT PUSH SW PCMT MAKE B4 BREAK	2
8609	VINYL CAP 0.025" X 1/2" BLK.	2	3698	SPST ROKR SW QUIK 180" AC PWR BL/BL	1
3795	#8 GROUND LUG ZIERICK 505-169	1	3409	THERMO SW N/CLOSED OP/184F CL/144F	1
3803	NYLON SECUR-A-TACH MINI PLASTIC TIE	1	3937	YELLOW 18 AWG TR-64 PREFUSED	1
3810	4" NYLON CABLE TIE	7	3939	BLUE 18 AWG TR-64 PREFUSED	0.666
3827	SQUARE BUMPER BUTTON BLACK	1	3940	RED 18 AWG TR-64 PREFUSED	6.333
8655	BUTTON KNOB BLACK REAN P120-05	2	3941	BLACK 18 AWG TR-64 PREFUSED	5.666
8693	S ROTARY KNOB GREY	5	3949	18AWG GRN/YLLW STRANDED WIRE	0.5
3481	8? 3/18 SJT AC LINE CORD 250 CLIPS	1	3950	GREEN 18 AWG TR-64 PREFUSED	0.916
3834	HEYCO #1214 STRAIN RELIEF	1	1298	200B-K/MM-4/BETA-150 >1994"NEW"XFMR	1
	"Y" LOGO PULSE SERIES LARGE DOMED	1			
8701	4-40 KEPS NUT ZINC	2			
8800	6-32 KEPS NUT ZINC	8			
8841	10-32 KEPS NUT ZINC	4			

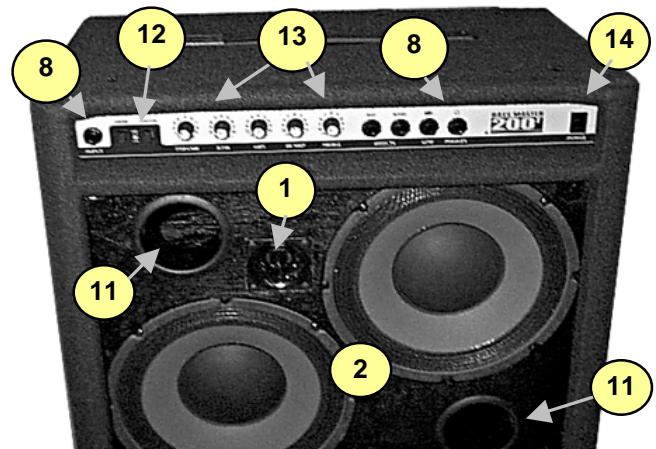


bm200t

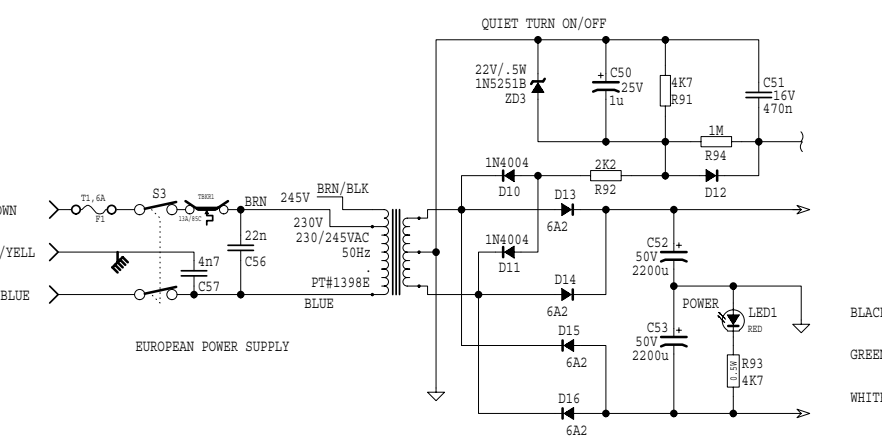
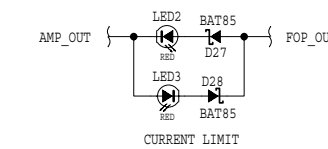
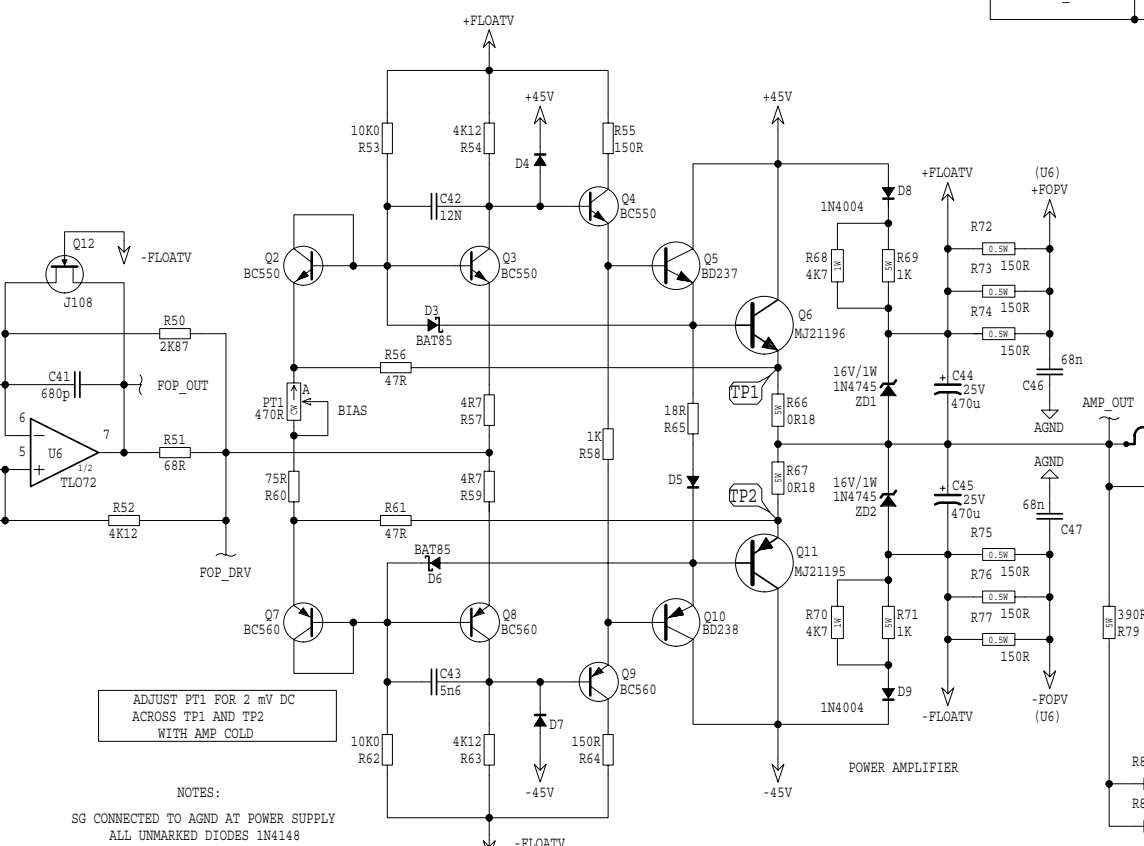
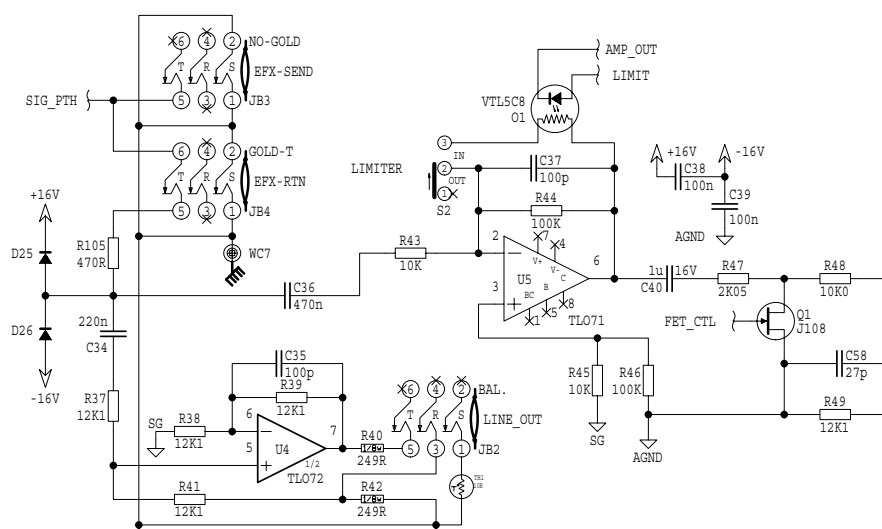
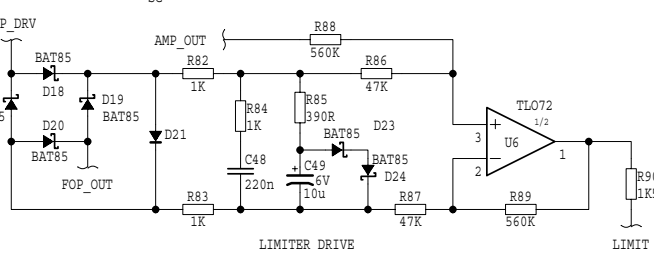
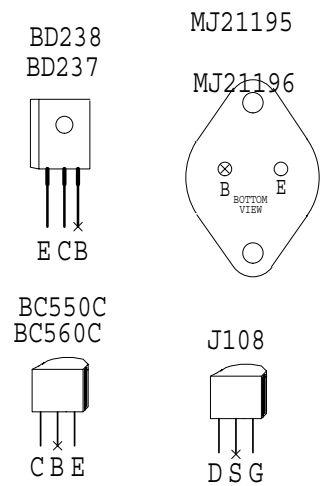
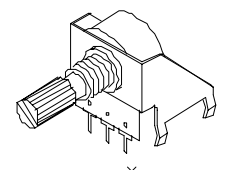
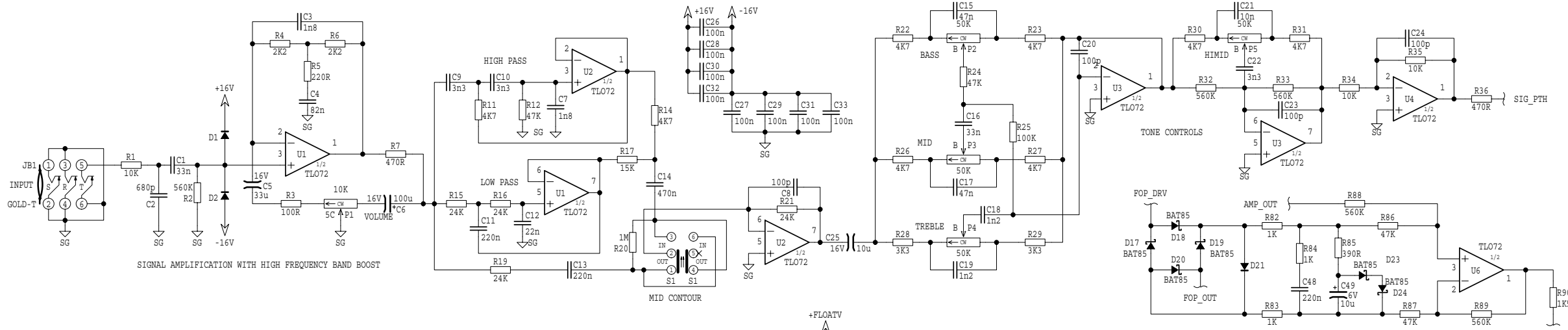
Bass Master Series



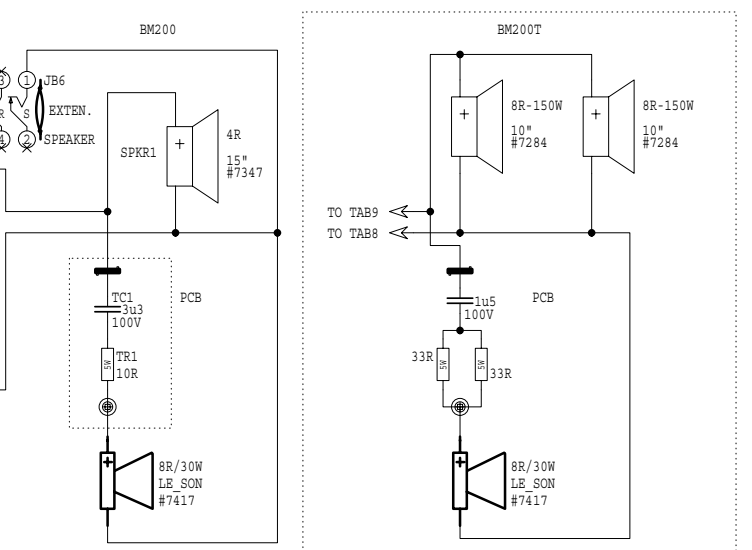
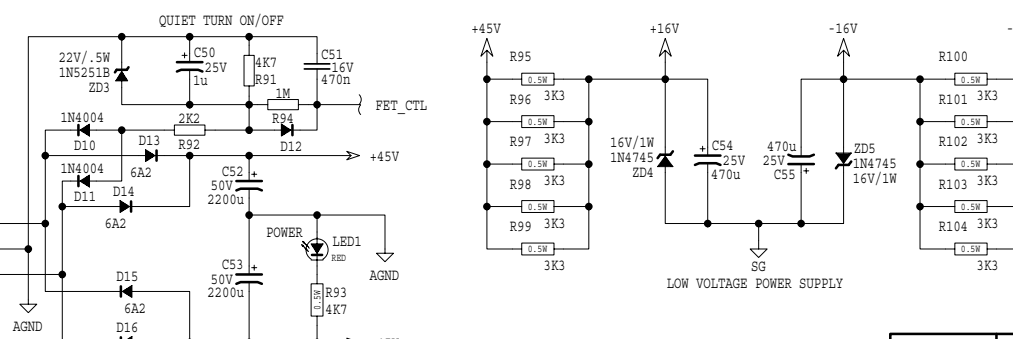
#	Part#	Description
Labeled Components		
1	7417	8R 30W TWEETER PIEZO TLC 1
2	7284	10" 8R 150W PGM SPEAKER
3	Z201	BM200T GRILL (no longer available)
4	8243D	"Y" LOGO BMASATER SERIES LARGE DOMED
5	8458	10.5" STRAP HANDLE, PLASTIC COV
6	3834	HEYCO #1214 STRAIN RELIEF
7	3481	8' 3/18 SJT AC LINE CORD 250 C
8	8468	VELCRO STRAP 3/4"X22CM
9	3450	1/4" JCK PCB MT HORZ GOLD
10	8547	PLASTIC FOOT BLACK, POLYETHYLENE
11	8578	3 X 3 ROLLED EDGE TR-PP3R8X3
12	3450	1/4" JCK PCB MT HORZ GOLD
13	8693	S ROTARY KNOB GREY
14	3698	SPST ROKR SW QUIK 180" AC PWR
15		
16		
17		
18		
19		
20		
21		
22		



**Real Gear.
Real People.**



NOTES:
SG CONNECTED TO AGND AT POWER SUPPLY
ALL UNMARKED DIODES 1N4148



M1008.SCH DATABASE HISTORY

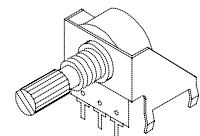
MODEL(S) :- BM200/BM200CE/BM200T			
#	DATE	VER#	DESCRIPTION OF CHANGE
1	AUG/08/94	1.70	PC#4542 XFMR #1283->#1298
2	.	.	PC#4617-C42,C43 3N3->5N6
3	.	.	PC#4619-200BE XFMR #1290->1298E
4	APR/25/95	1.80	PC#4773-ADD 47p ACROSS R49
5	AUG/30/95	1.90	PC#4799-C58 47p->27p
6	MAR/11/98	2.00	PC#5653-ADD TWEETER FOR BM200 200T
7	AUG/06/98	2.10	PC#5769-FUSE CE_T2A->T1,6A_NA_4A-SB ->2.5A-SB
8	.	.	CE XFMR UPDATED
9	JAN/22/99	2.20	PC#6187-R60 150R->100R
10	FEB/21/00	2.30	Q11 2N6609->MJ21195
11	MAR/30/00	2.40	PC#6216 C42 5n6->12n Q6 2N3773->MJ21196
12	AUG/30/00	2.50	PC#6205_NA XFMR #1398->#1396
13	FEB/12/01	2.60	PC#6329_R60 100R->75R

M1008

M1008.PCB DATABASE HISTORY

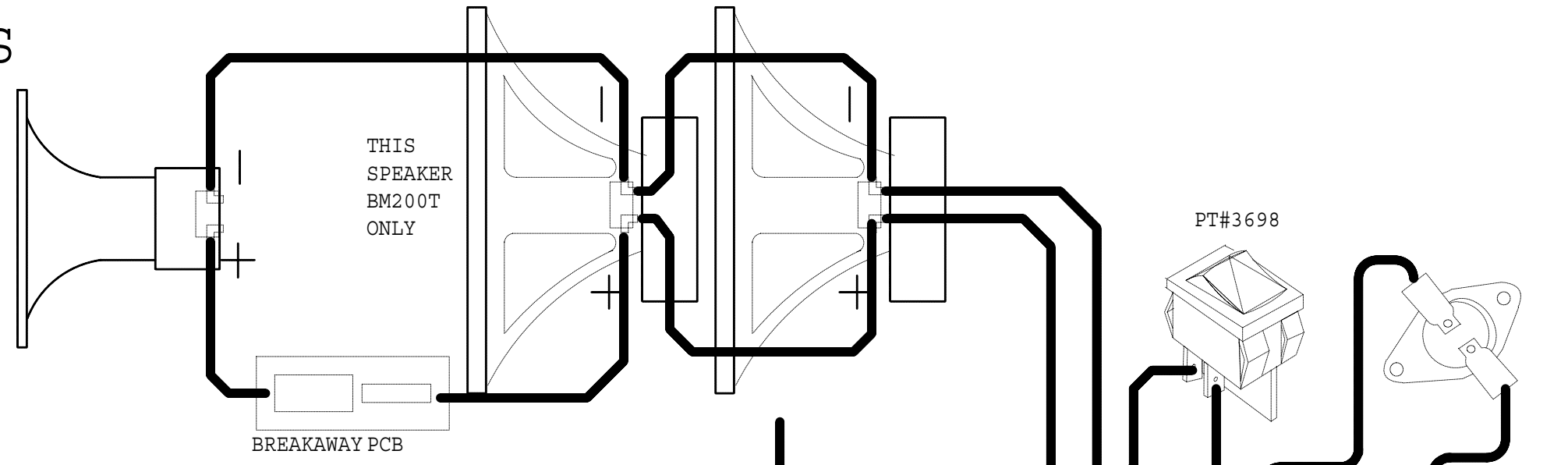
#	DATE	VER#	DESCRIPTION OF CHANGE
1	FEB/93	1.30	FIRST PRODUCTION
2	JUN/08/94	1.40	PC#4617 C42/43 3N3-->5N6
3	APR/25/94	1.50	PC#4773 47P ADDED ACROSS R49
4	MAY/10/94	.	PC#4785 TRACE BY R42/R40 THICKENED
5	SEP/05/94	.	PC#4899 CAP ACROSS R43 47P->27P
6	OCT/11/94	.	PC#4763 C52/53 220u/63V->220u/50V
7	NOV/28/94	1.60	PC#4970 4N7 AC CAP->4 SPACING
8	DEC/08/97	2.00	PC#5545 HOLE SIZE R68/70 .059->.052
9	MAR/11/98	2.10	PC#5653 ADD PARTS FOR TWEETER
10	AUG/06/98	2.20	PC#6187 REDO TWEETER PCB FOR BM200T
11	FEB/21/00	2.30	PC#5769 FUSE 4A-SB->2.5A-SB
12	MAR/30/00	2.40	PC#6216 R60 150R->100R
13	FEB/12/01	2.40	PC#6216 Q6 ZN3773->MJ21196 Q11 -2N6609->MJ21195 C42 5N6->12N- PC#6329_R60_100R->75R
14	D	V	N
15	D	V	N
16	D	V	N
17	D	V	N
18	D	V	N
19	D	V	N
20	D	V	N

PRODUCTION NOTES



STYLE "P14"

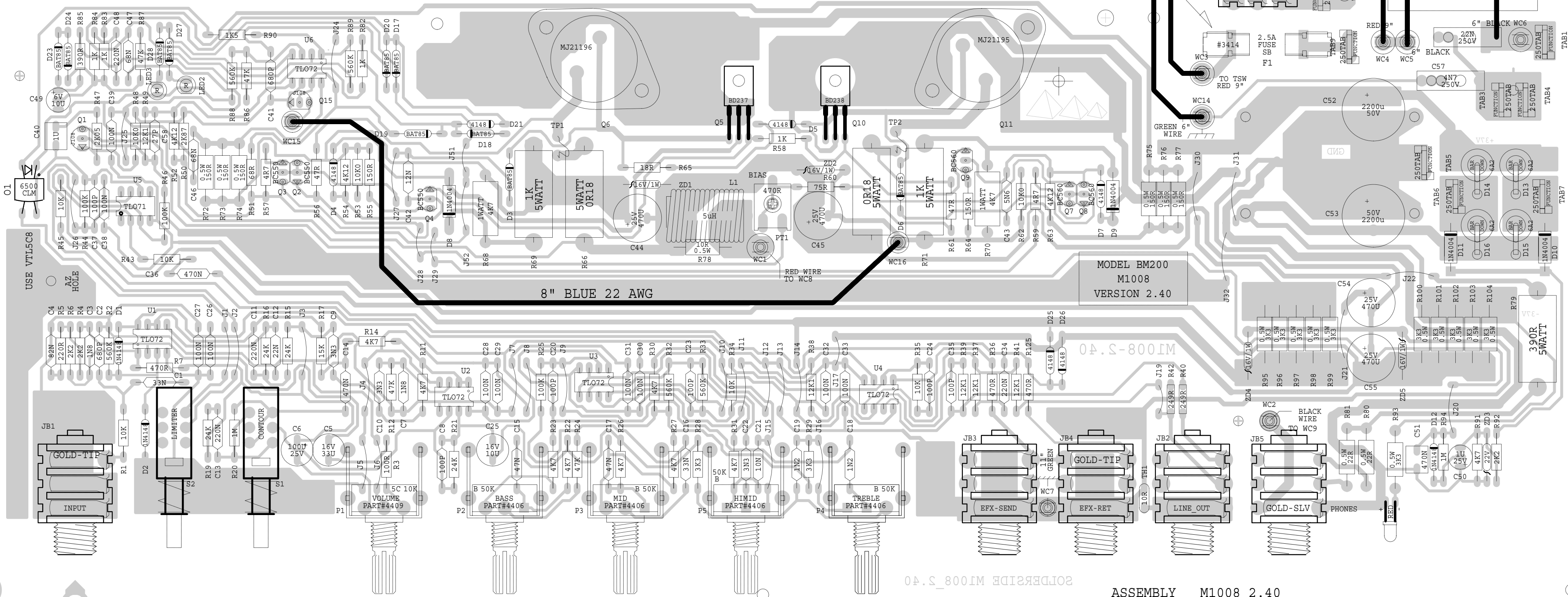
- 1 F1 FUSEHOLDER REPLACED BY WIRE JUMPER FOR E VERSION
- 2 FOR BM 200 DO NOT STUFF TR2 TR1=10R 5W TC1=3U3 100V
- 3 FOR BM 200T STUFF TR1 AND TR2 TR1-TR2=33R 5W TC1=1U5 100V



TR1 DELIVER TO FINISHING FOR BM200 TC1

5WATT SEE NOTES
FOR VALUES 5WATT

SEE NOTES 100V



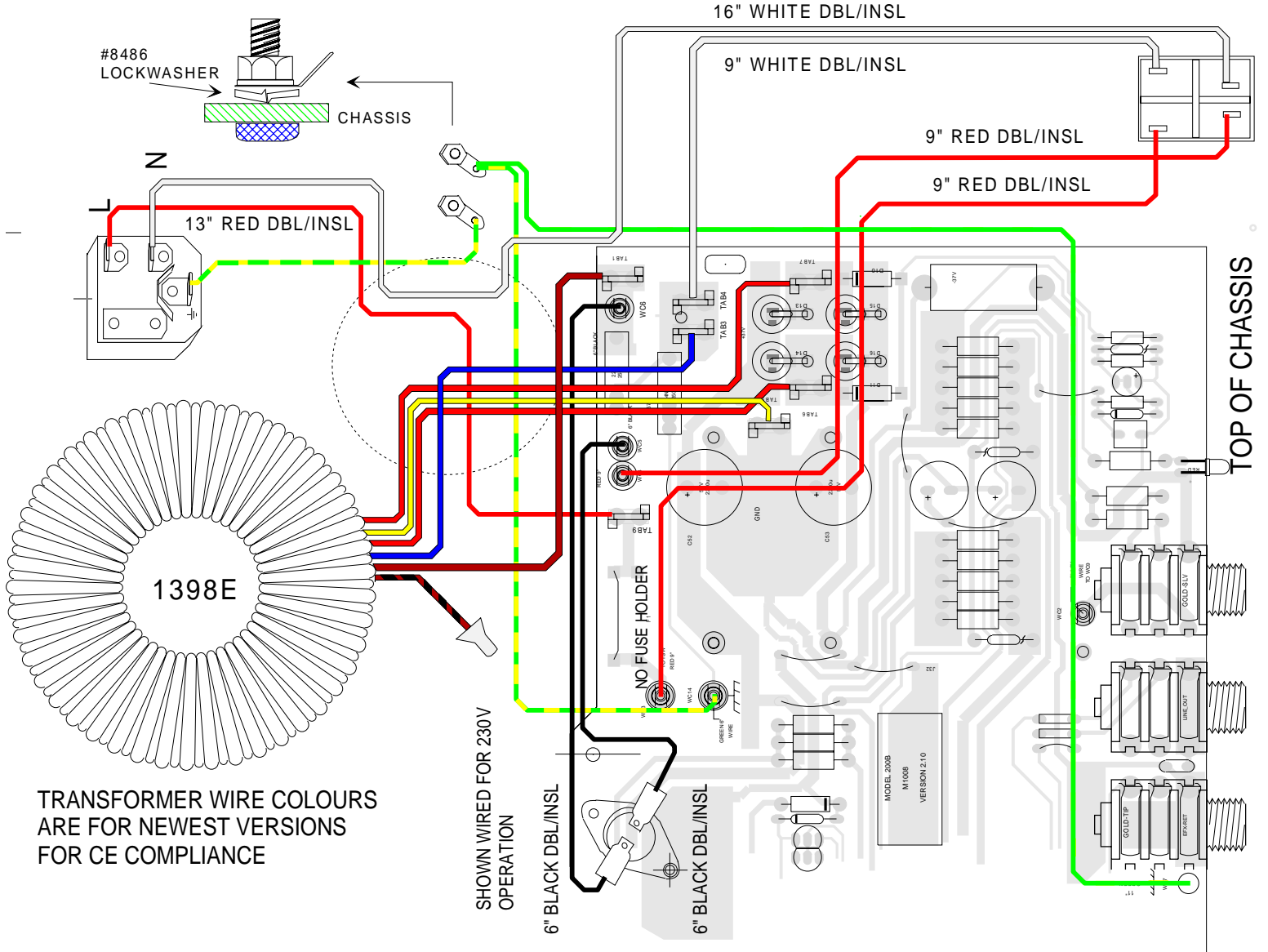
MODEL BM200
M1008
VERSION 2.40

04.5-808

ASSEMBLY M1008_2.40
PCB MECH M1008_2.40

SOLDERSIDE M1008_2.40

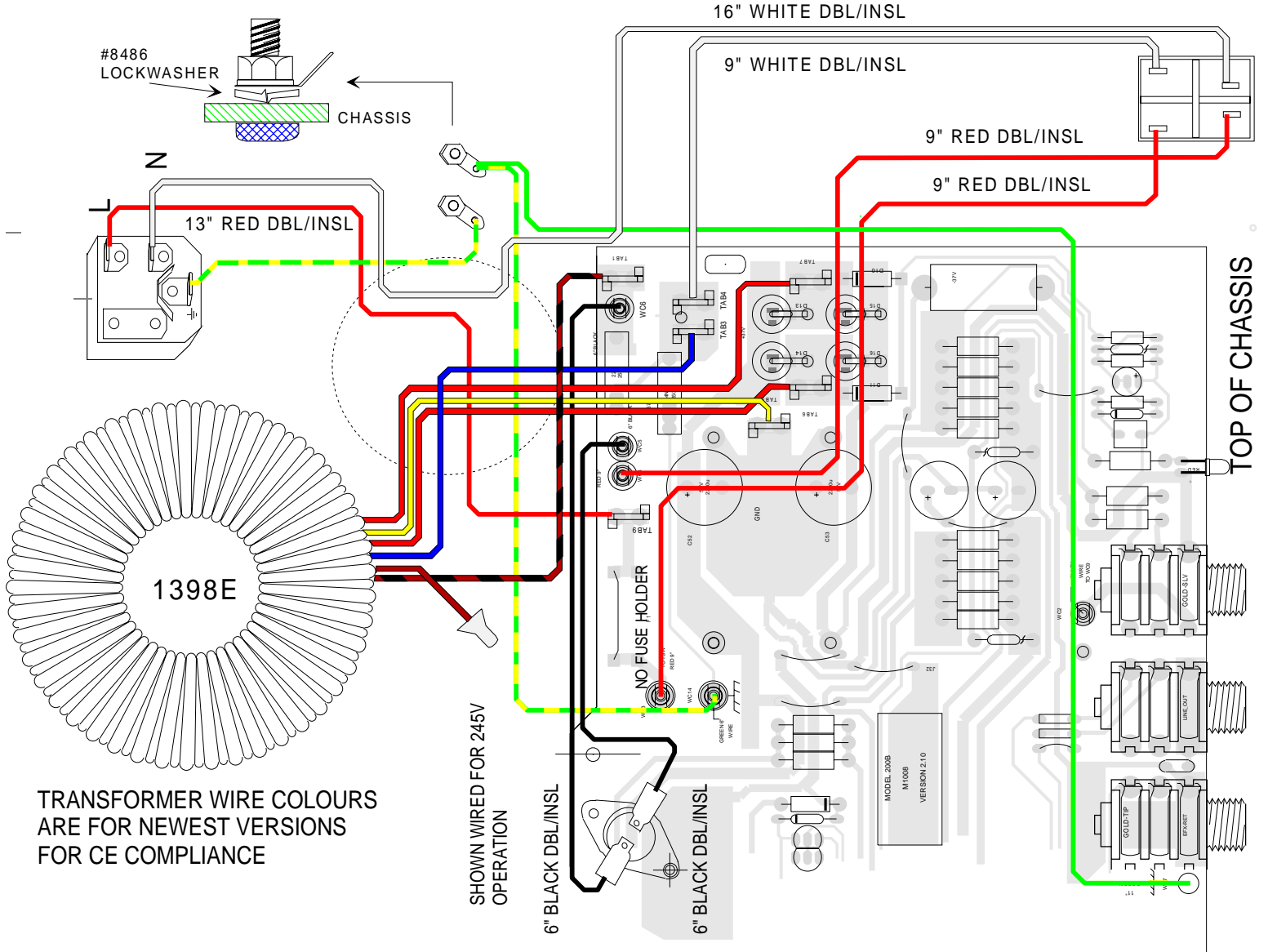




TRANSFORMER WIRE COLOURS
ARE FOR NEWEST VERSIONS
FOR CE COMPLIANCE

SHOWN WIRED FOR 230V
OPERATION

200BCE AC WIRING JAN 20, 99
VERSION 2.00



TRANSFORMER WIRE COLOURS ARE FOR NEWEST VERSIONS FOR CE COMPLIANCE

SHOWN WIRED FOR 245V OPERATION

200BCE AC WIRING JAN 20, 99
VERSION 2.00