

Nuendo and the Time Base - Red Light - Setup

This document describes how to control the studio red-light system via Nuendo and the Time Base.

This document is valid for Nuendo v.3.1 / 3.2 and Time Base v.1.40.

Table of contents

1. Introduction.....	2
2. NUENDO controlling the Red Light Output.....	2
2.1 Hardware Setup:.....	2
2.2. The Red Light “Hardware” in the Time Base.....	3
2.3 NUENDO and the Time Base:.....	3
2.4. The whole system:.....	4
3. Connecting a Red Light Controller.....	4
3.1 Red Light controller with “Opto-Coupler” input:.....	4
3.2 Red Light controller with “TTL” or “Ground closure” input:...	5

Author: Achim Kruse

1. Introduction

System setup: Nuendo and the Time Base

This application note guides you through the basic hardware and software setup.

This application note is not intended as a manual!

If you are not familiar with the Time Base, have the Time Base manual on hand - part 6 and 7 in the manual explain the different display-pages and their functions.

Before you start, select the video standard you are working with -

On the Time Base front panel select:

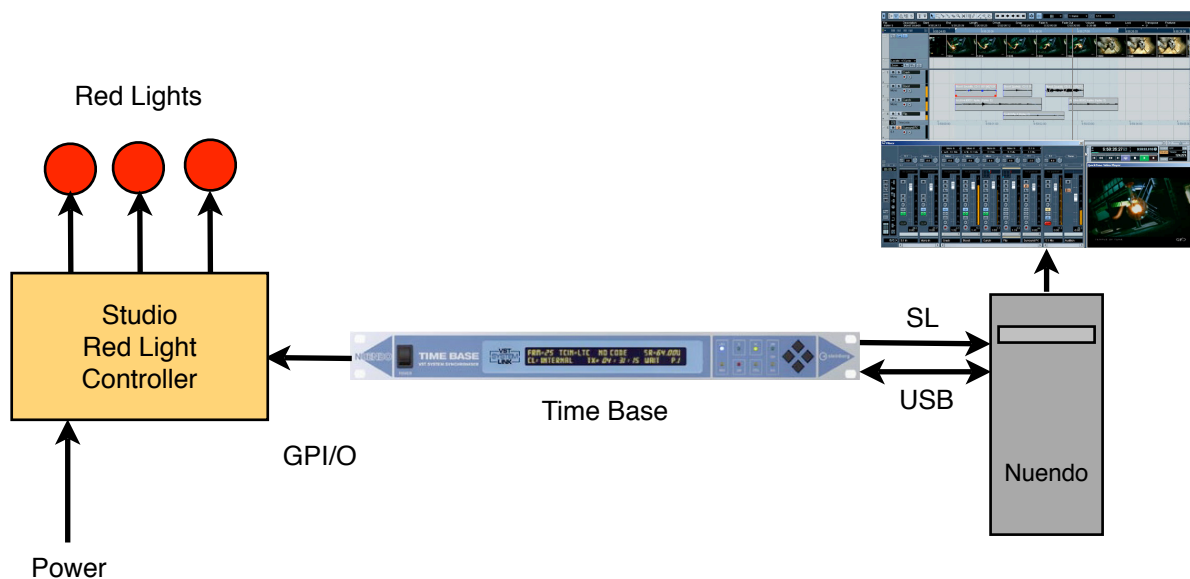
P.5 > SYS-VIDEO:xx - 25 fps in Europe, 29.97 in the USA, Canada and Japan.

If the SYS-VIDEO is changed, power-cycle the Time Base.

2. NUENDO controlling the Red Light Output

2.1 Hardware Setup:

Connections: Time Base - USB - Nuendo (Bi-directional Control-information)
 Time Base / AES/EBU out - Nuendo / AES/EBU in (System-link)
 Time Base GPI/O - connector wired to the red light system.



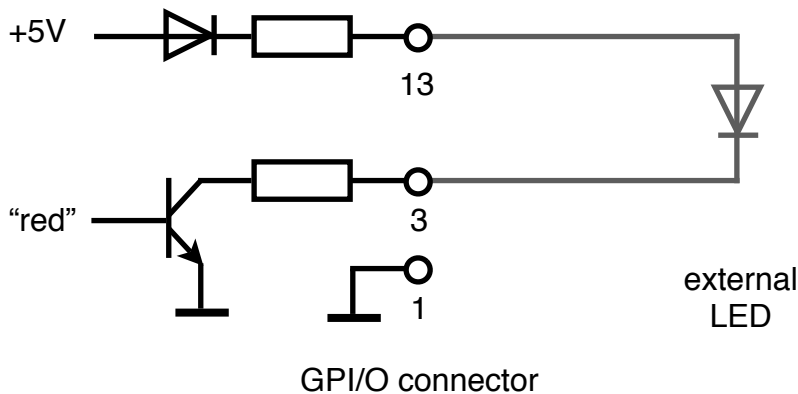
2.2. The Red Light “Hardware” in the Time Base.

The Time Base has “Open Collector” type outputs with a protection resistor in series.

The output (Pin3) is “**active low**”, otherwise known as a switch to ground!

The Time Base has a “4.4V” output, to drive LEDs directly.

(4.4V - Time Base internal 5V via a protection diode and resistor.)



As a test connect a LED between pin 13 and pin 3
(See Time Base manual page 7 - 81)

2.3 NUENDO and the Time Base:

2.2.1 Power up the system. Check that the "LINK-LED" on the Time Base is on - this happens after the driver is loaded and started from the computer. If the LINK-LED stays off, check USB cable, check if Time Base driver is installed, and, in the Time Base > P.5 - USBPORT : ON.
The LINK-LED must be on before NUENDO is started!
If you want to check again, unplug the USB cable, power-cycle the Time Base, wait until it is fully up again and then re-plug the USB cable - 2~8 seconds after the USB connection is made, the LINK-LED should come up. If this is not working, check the Computer USB installation and the Time Base Driver Installation.

2.2.2 Start NUENDO and create a new "Empty" Project - safe as (i.e. -) red light test.

Go to menu Devices, open Device Setup... and select Time Base.

In Device Setup/Time Base move the Nuendo Inserter Position control (the 00:00:00:00 in the black square) a little.

On the Time Base the DATA LED will flash and the POS H/V values change according to the mouse movement. This shows, that communication from Nuendo to the Time Base is happening.

2.4. The whole system:

Click PLAY in the Transport Bar, click REC - the red light LED lights up - leave REC by clicking REC again - the red light LED is off -

Not working?

1. At the Time Base select SP2. Check that “RED:C-102” is selected. C-102 is the “channel” used for red light switching from Nuendo.
2. Check that the LED polarity is correct.

3. Connecting a Red Light Controller

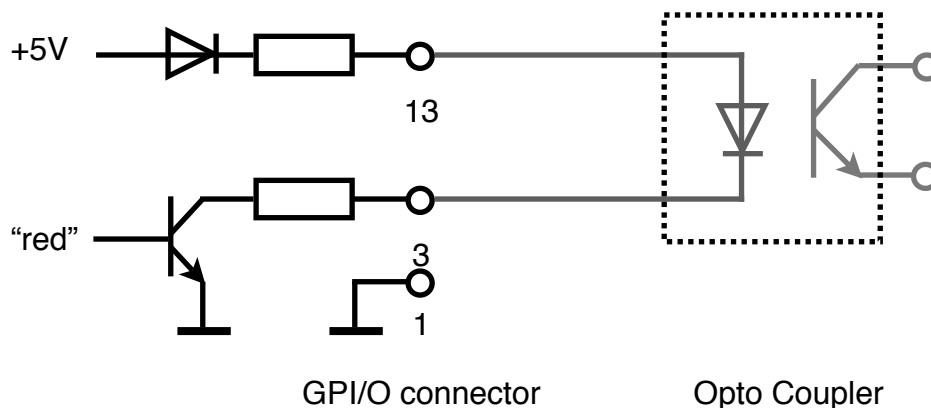
The Time Base GPIO connector is made for “low voltage” control applications!

NEVER CONNECT IT TO A MAINS OUTLET !

3.1 Red Light controller with “Opto-Coupler” input:

The best way to drive your red light system:

Connect the Time Base output via an “Opto-coupler” - Input to the red-light system.

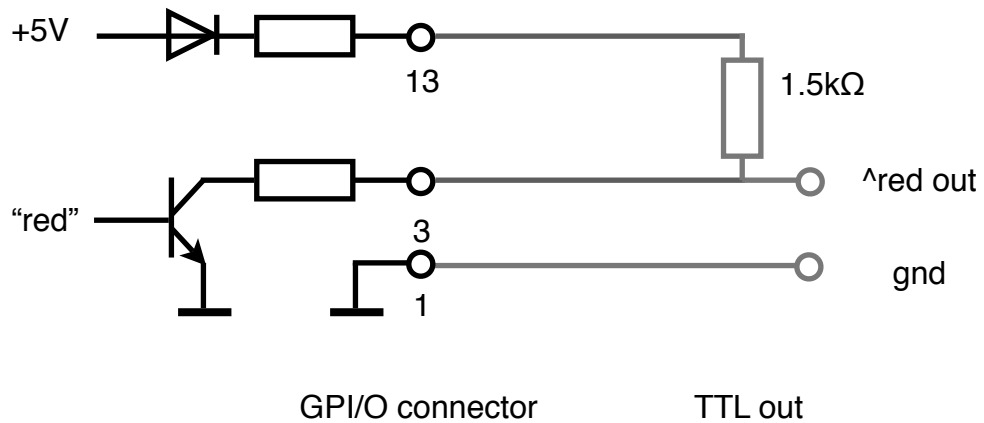


(See Time Base manual page 7 -81)

This offers full (galvanic) isolation from the red light control system. No **Earthloops!** (Earthloops are not only harmful to analog systems.)

3.2 Red Light controller with “TTL” or “Ground closure” input:

To drive a red light controller with a “TTL-type input” use the following circuit. The red light output is “active low”.



The 1.5kΩ (1500Ω) pull-up resistor may be omitted if it is already integrated in the redlight controller - i.e. the red-light controller needs just a “Gnd closure”.

The open collector output is able to handle pull-up resistors connected to a 12V supply as long as the current is below 20mA.