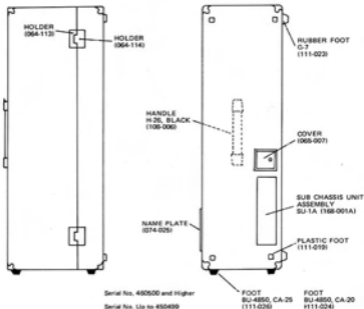
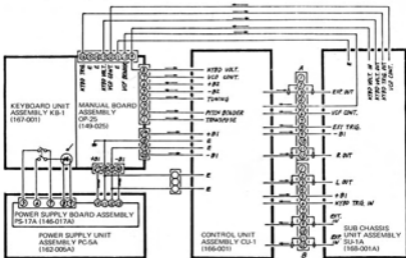


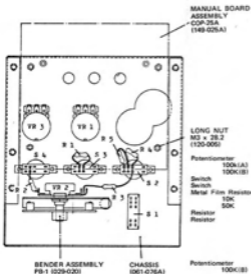
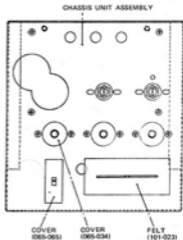
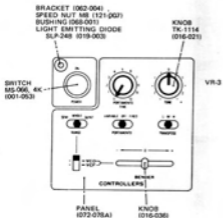
Fig. 5



7. WIRING BLOCK DIAGRAM



B-3. CONTROL UNIT ASSEMBLY CU-2A (166-002A)



LONG NUT
M3 x 28.2
(120-005)

Potentiometer
100k(A)
100k(B)

Switch

Switch

Metal Film Resistors
10K
50K

Resistor

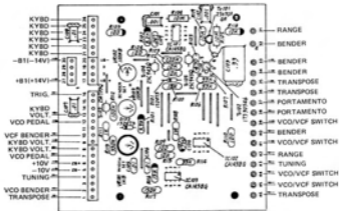
Resistor

EVC-30AK15A15	VR1	029-190
EVE-DOAK15B15	VR3	029-030
SQ24-12C	S1	001-080
ESL-2412	S2, 3, 4	001-064
CRB-1/4FX 1%	R5	044-038
CRB-1/4FX 1%	R3, 4	044-051
4.7K 5%	R2	044-044
1 Meg 5%	R1	044-072

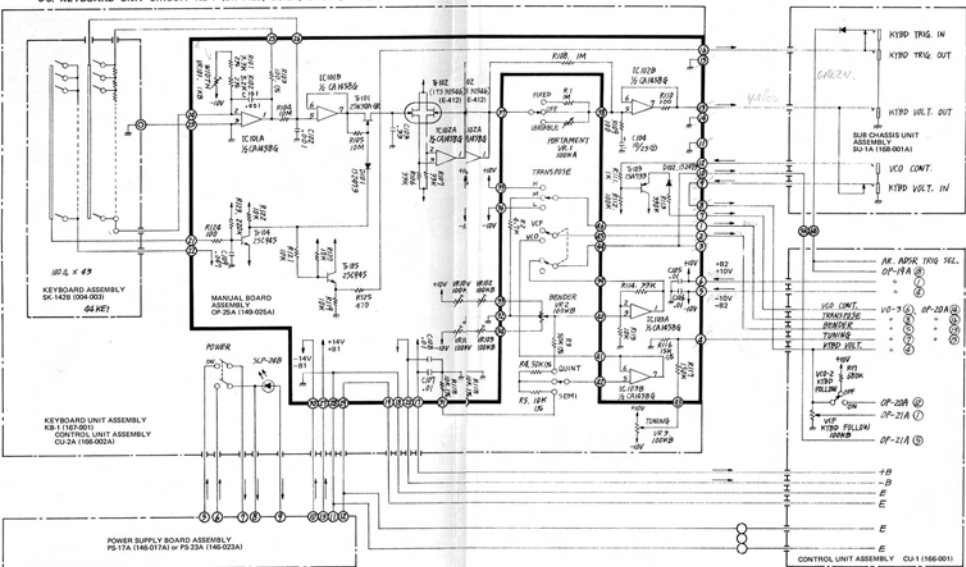
Potentiometer
100k(B)

Serial No. Up to 450499
EVC-30AK15B15 VR3 028-334

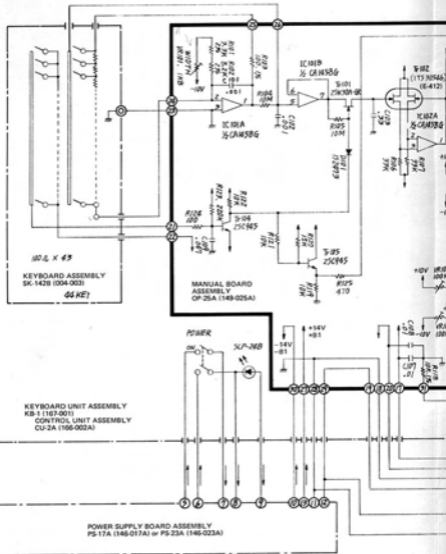
84. MANUAL BOARD ASSEMBLY OP-25A (149-925A)



- Metal Film Resistor CRB-1/4FX (1%)
- Resistor 1/4R, J (5%)
- Resistor ERC-12GK
- Capacitor, Mylar (10%)
- Capacitor, Ceramic (10%)
- Capacitor, Tantalum (10%)
- Transistor 25C9450
- Transistor 25A7330
- Diode 1S2473



8.5. KEYBOARD UNIT CIRCUIT KB-1 (SK-142B, CU-2A, OP-25A, PB-1)



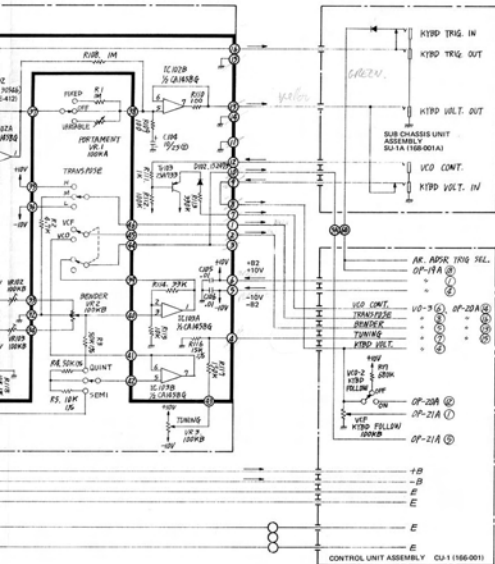
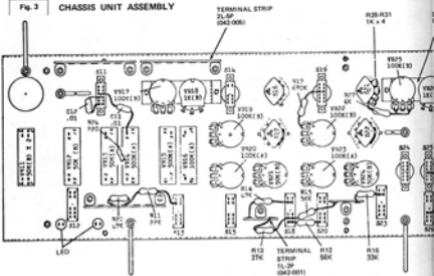


Fig. 3

CHASSIS UNIT ASSEMBLY

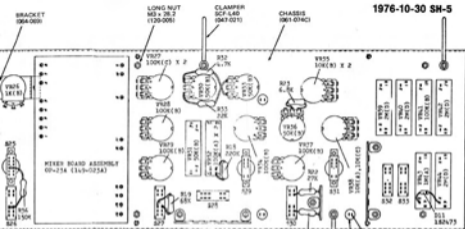


Potentiometer

50K(A)	EVA-QDAC16A54	VR13	029-036
50K(B)	EVA-QDAC16B54	VR12, 31	029-024
100K(A)	EVA-QDAC16A15	VR16	029-036
100K(B)	EVA-QDAC16B15	VR41	029-025
500K(A)	EVA-QDAC16A55	VR14, 15	029-038
1 Meg (A)	EVA-QDAC16A16	VR43	029-039
2 Meg (D)	EVA-QDAC16D26	VR28, 40, 42, 44	029-090
50K(B)	EVB-POAC16B54	VR11	029-157
100K(A)	EVB-POAC16A15	VR32	029-158
1K(B)	EVR-30AS15B13	VR18, 26	029-082
50K(B)	EVC-80AK20B54	VR21, 24, 30, 33, 36	029-175
100K(A)	EVC-80AK20A15	VR20, 23	029-186
100K(B)	EVC-80AK20B15	VR28, 29, 34, 37	029-176
100K(B)	EVC-80AS15B15	VR17, 25	029-116
100K(B)	EVE-03AK20B15	VR19	029-032
100K(B)	EVE-02AK20B15	VR22	029-031
50K(B)	ERF-POAK20B14	VR35	029-082
10K(A, C)	ERF-POAK20C15	VR38	029-150
100K(C)	ERF-POAK20C15	VR27	029-134

Serial No. Up to 450499

100K(B)	EVC-80AK20B15	VR19	029-149
100K(B)	EVC-80AK20B15	VR22	029-176



Switch	ESR-E124K20	S17, 22	001-078
Switch	ESR-E115K20	S18, 21	001-079
Switch	ESL-2411	S11, 19, 24, 25	001-085
Switch	ESL-2412	S14, 29, 31	
Switch	S0142-12C	S12, 13, 15, 18, 20, 23, 26, 27, 28, 30, 32, 33	001-080

Metal Film Resistor

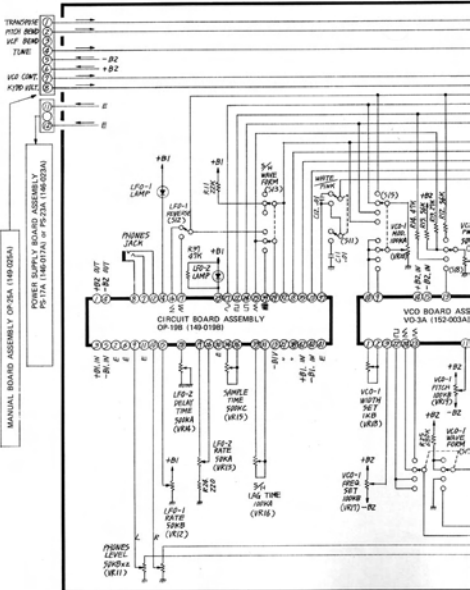
1K	CR8 1/4FX 1%	R28, 29, 30, 31	044-830
Diode	1S2473	D11	018-014
Capacitor, Mylar	.01 ul	C11, 12	026-018
Connector Housing	2145-6A		010-022
Connector Housing	2145-6A		010-023
Connector Housing	2145-6A		010-024
Connector Housing	1625-3P		010-045
Connector Housing	1625-12P		010-011
Pin Terminal	15601		043-013
VR Washer	M8		121-001

Resistor 1/4W 5% are omitted.

Fig. 1

1976-10-30 SH-5

9-1. CONTROL UNIT CIRCUIT (CU-1) (OP-19B, VO-3A, OP-20B, OP-23A, OP-21B, OP-22A.)



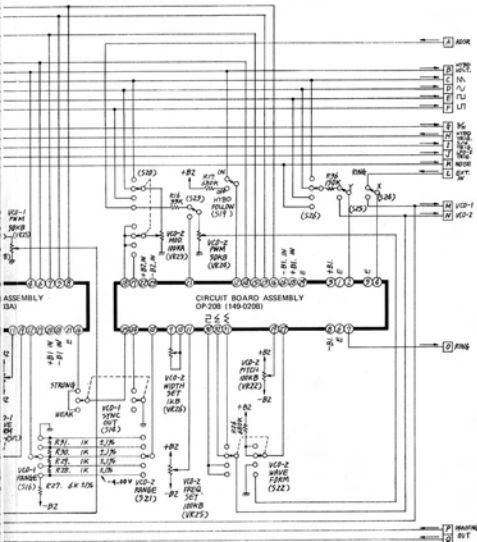
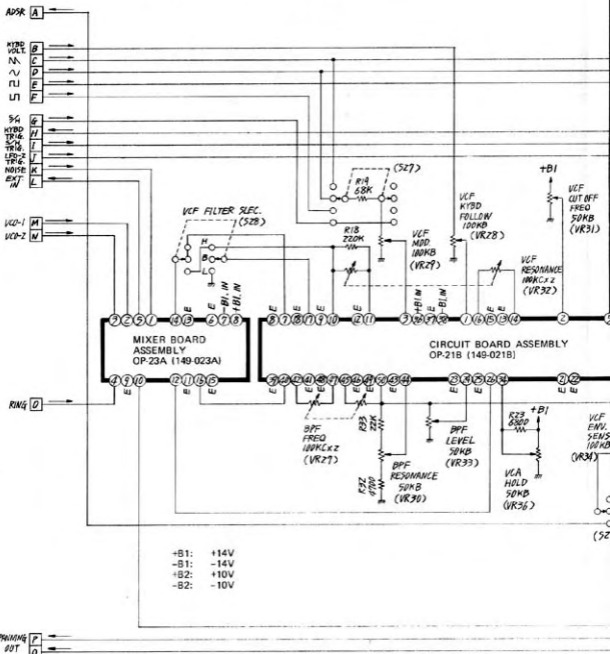
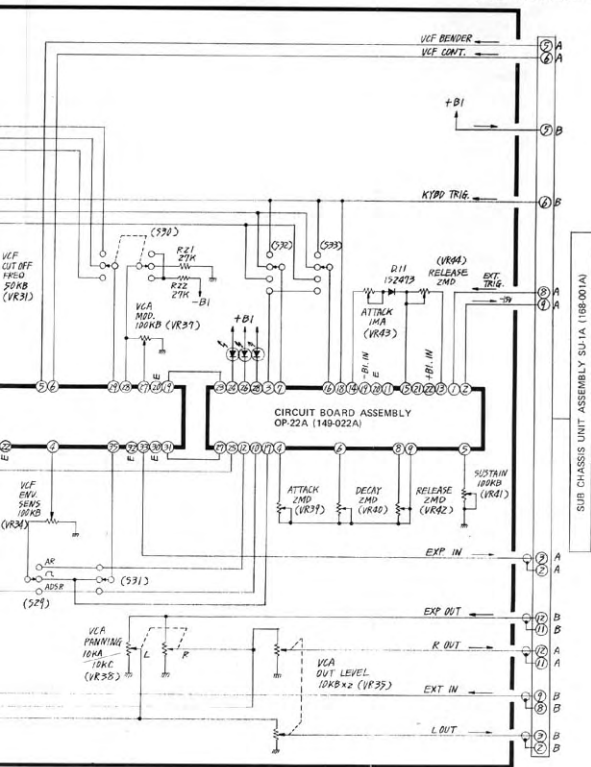


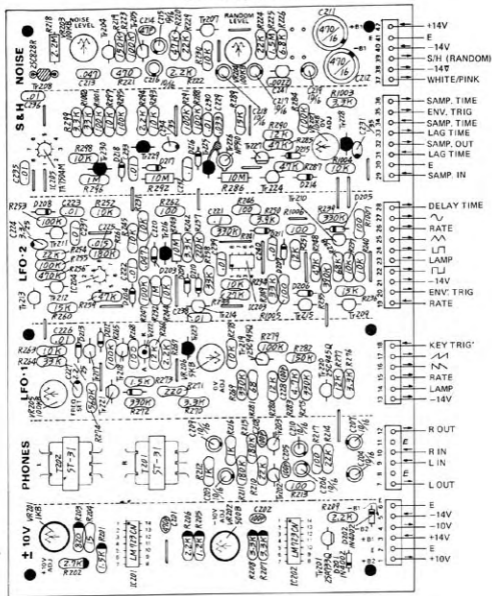
Fig. 2

CONTROL UNIT ASSEMBLY CU-1 (166-001)



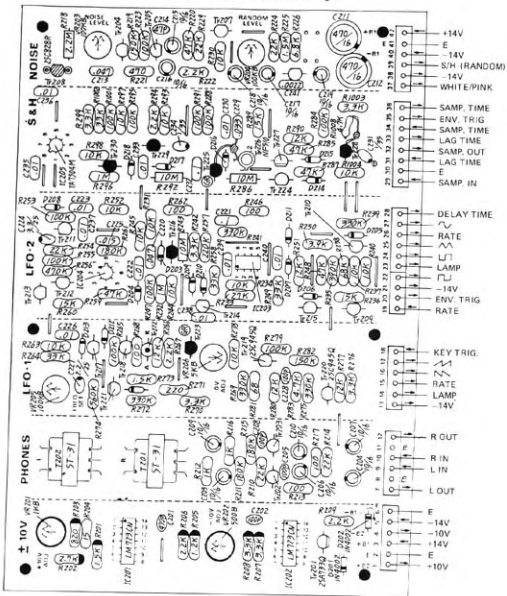


Serial No. Up to 440399



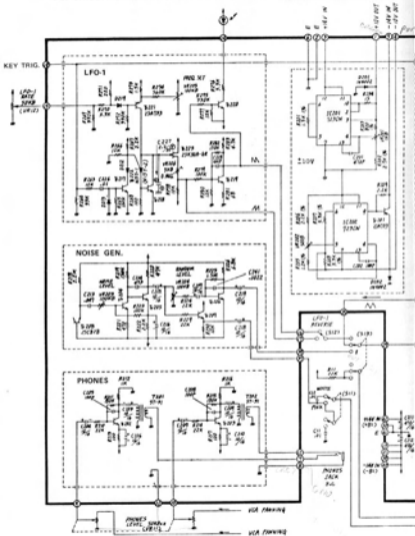
9-2a. CIRCUIT BOARD ASSEMBLY OP-19B (149-019B)

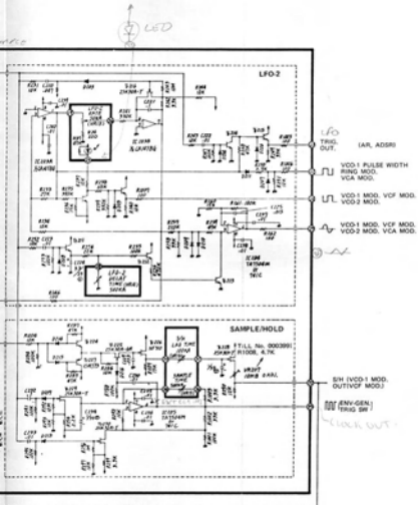
Serial No. 450400 and Higher

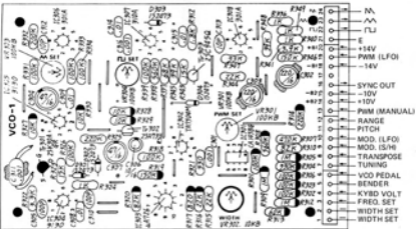


- Metal Film Resistor CRB-1/4FX (1%)
- Resistor 1/4R, J (5%)
- Resistor ERC-12GK
- Capacitor, Mylar (10%)
- Capacitor, Ceramic (10%)
- Capacitor, Tantalum (10%)
- Capacitor, Electrolytic

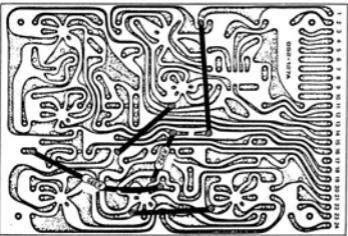
- Transistor 2SC945Q
- Transistor 2SA733Q
- Field Effect Transistor 2SK30A-GR
- Programmable Unijunction Transistor N13T1
- Diode 1S2473



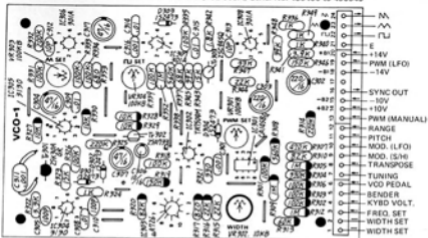




-  Metal Film Resistor CRB-1/4FX (1%)
-  Resistor 1/4R, J (5%)
-  Resistor ERC-12GK
-  Capacitor, Mylar (10%)

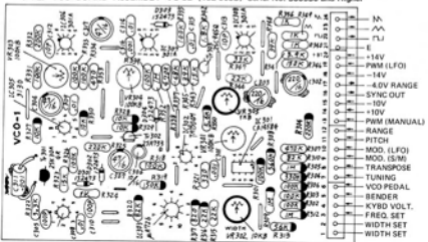


9-4a. VCO BOARD ASSEMBLY VO-3A (152-003A) Serial No. 450400 to 490940

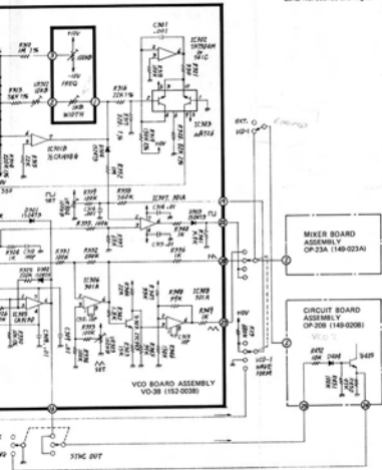


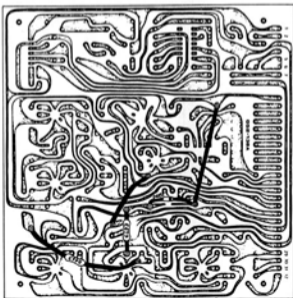
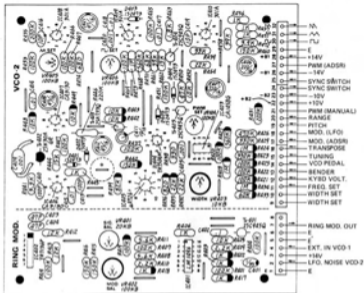
- Capacitor, Ceramic (10%)
- Capacitor, Tantalum (10%)
- Capacitor, Electrolytic
- Transistor 2SC945Q
- Transistor 2SA733Q
- Field Effect Transistor 2SK30A-GR
- Diode 1S2473

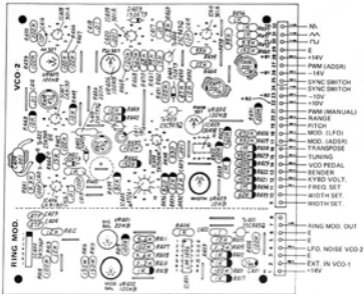
9-4.2. VCO BOARD ASSEMBLY VO-3B (152-003B) Serial No. 500950 and Higher



Serial No. 000400 and Higher

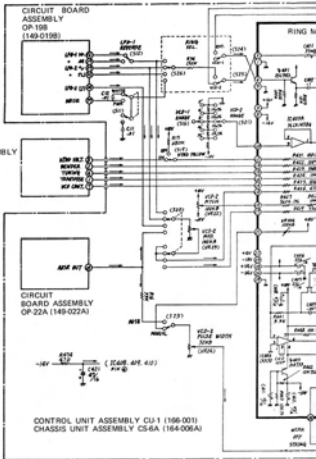




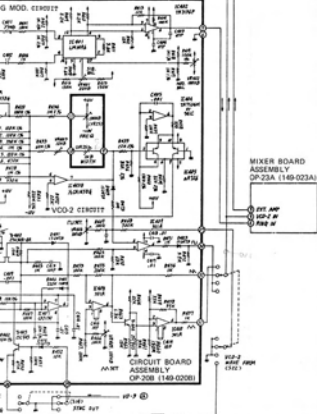


9-7. CIRCUIT DIAGRAM (OP-208) (VCO-2, Ring Mod)

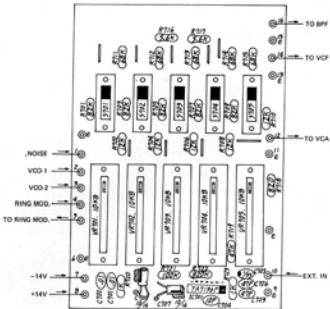
MANUAL
BOARD ASSEMBLY
OP-25A
(149-025A)








G MOD. CIRCUIT



9-8. MIXER BOARD ASSEMBLY OP-23A (149-023A)



-  Resistor 1/4R, J (5%)
-  Capacitor, Mylar (10%)
-  Capacitor, Ceramic (10%)
-  Capacitor, Tantalum (10%)
-  Capacitor, Electrolytic