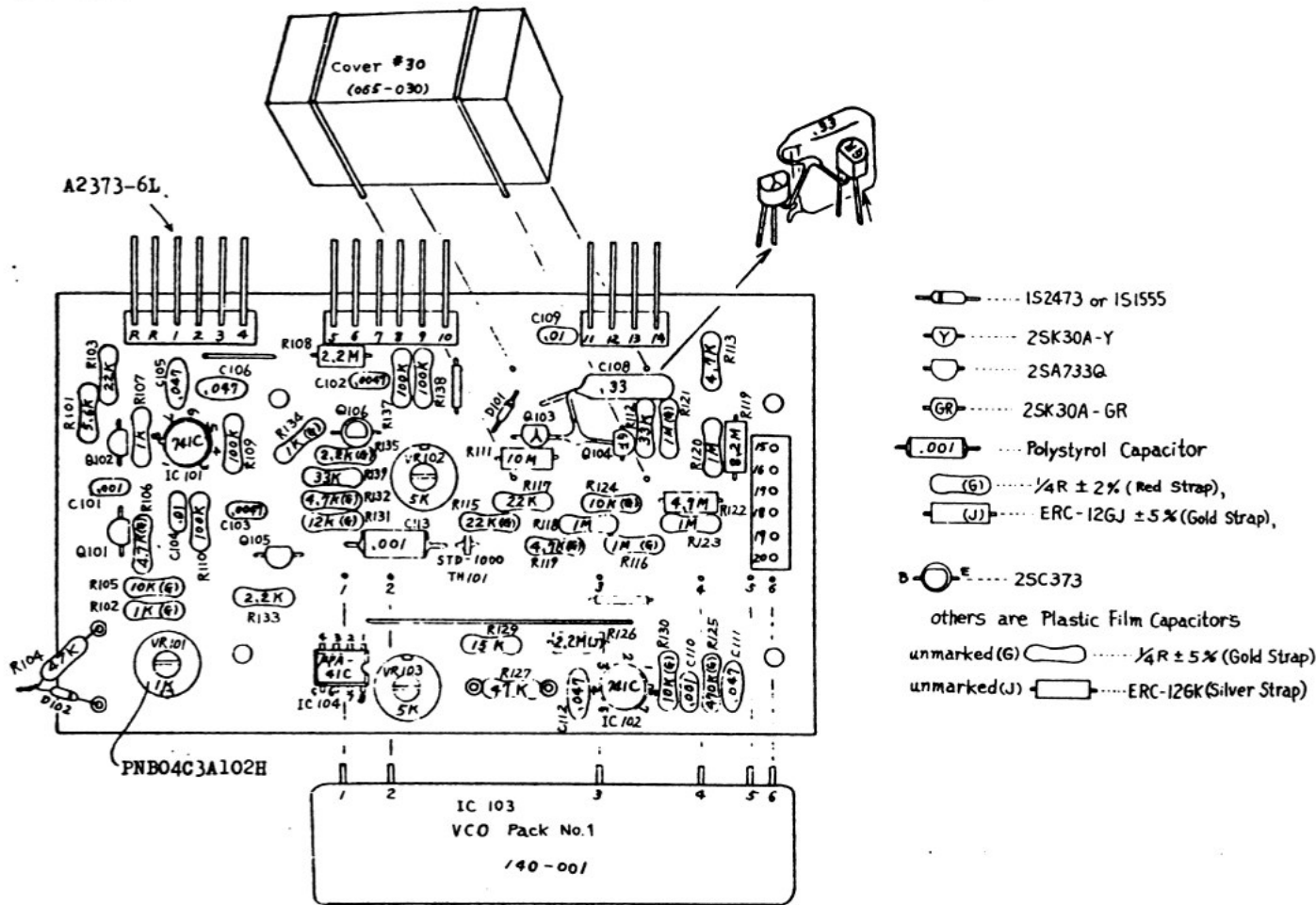
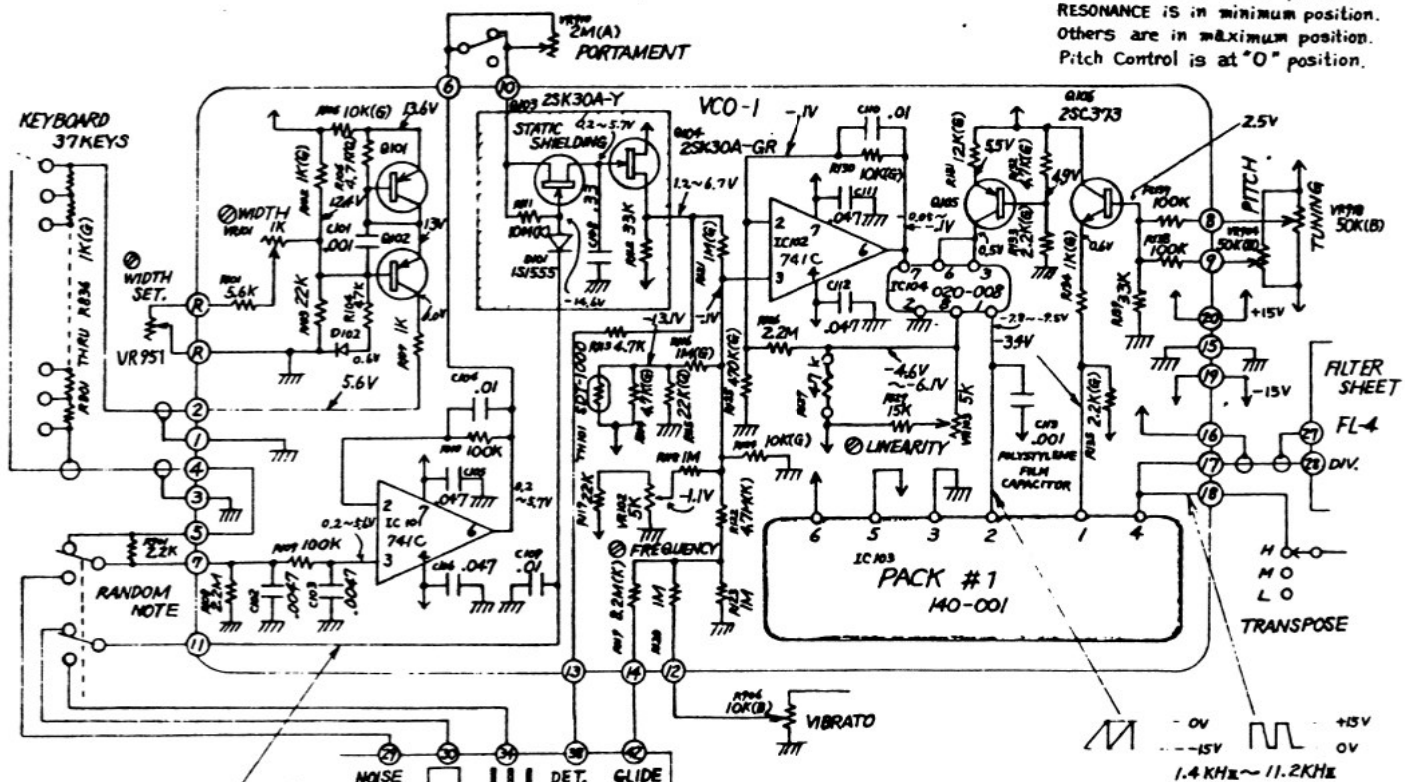


3. VCO SHEET ASSEMBLY (VCO-1)  
3-1. PARTS LAYOUT



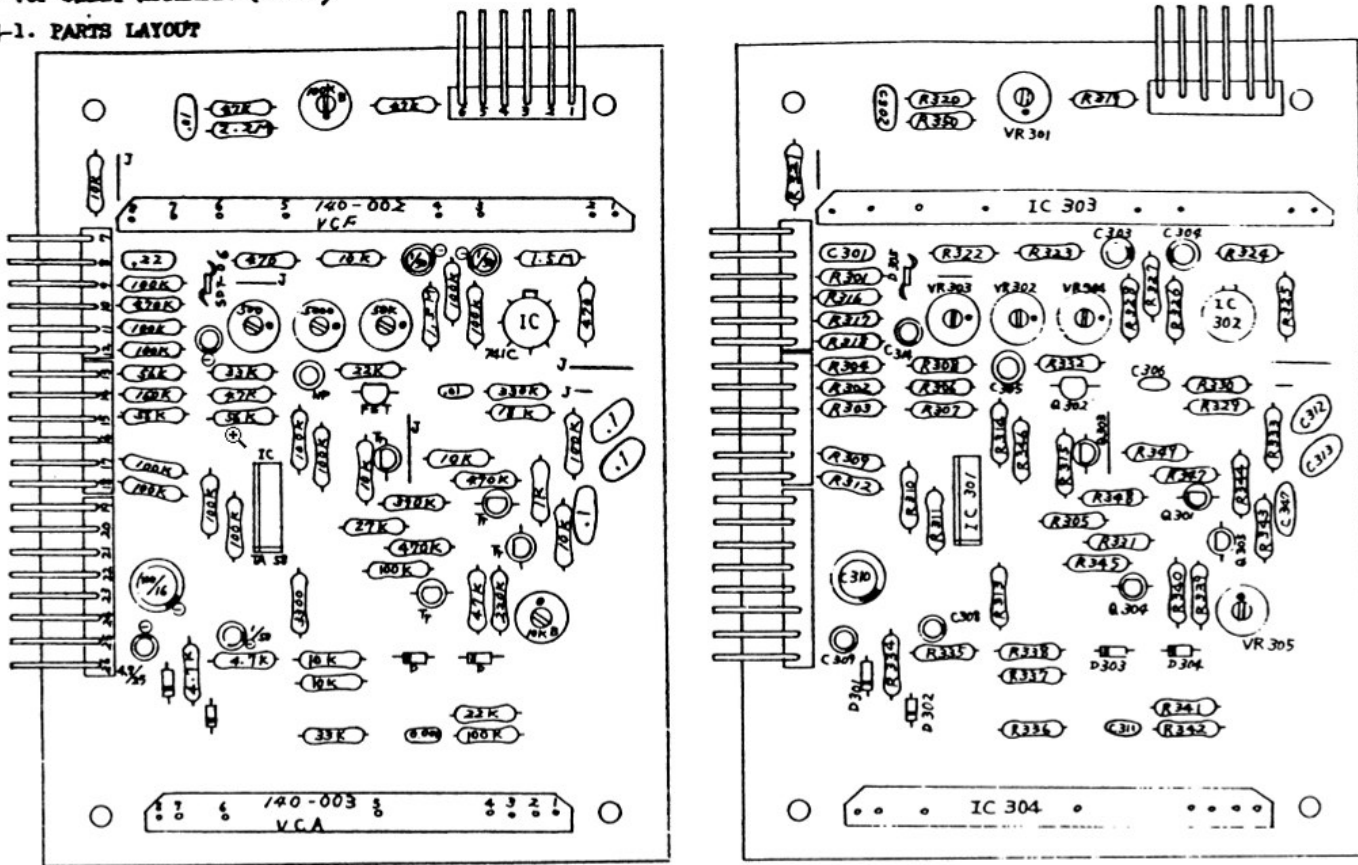
3-2. CIRCUIT DIAGRAM (VCO-1)



UNLESS OTHERWISE SPECIFIED;  
ALL TRANSISTORS ARE 2SC733-Q  
ALL RESISTORS ARE  $\pm 5\%$  TYPE  
ALL CAPACITORS ARE POLYESTER FILM 20% TYPE  
RESISTORS MARKED (G) ARE  $\pm 2\%$  TYPE  
RESISTORS MARKED (K) ARE  $\pm 10\%$  TYPE

# 4. VCF SHEET ASSEMBLY (VCF-1)

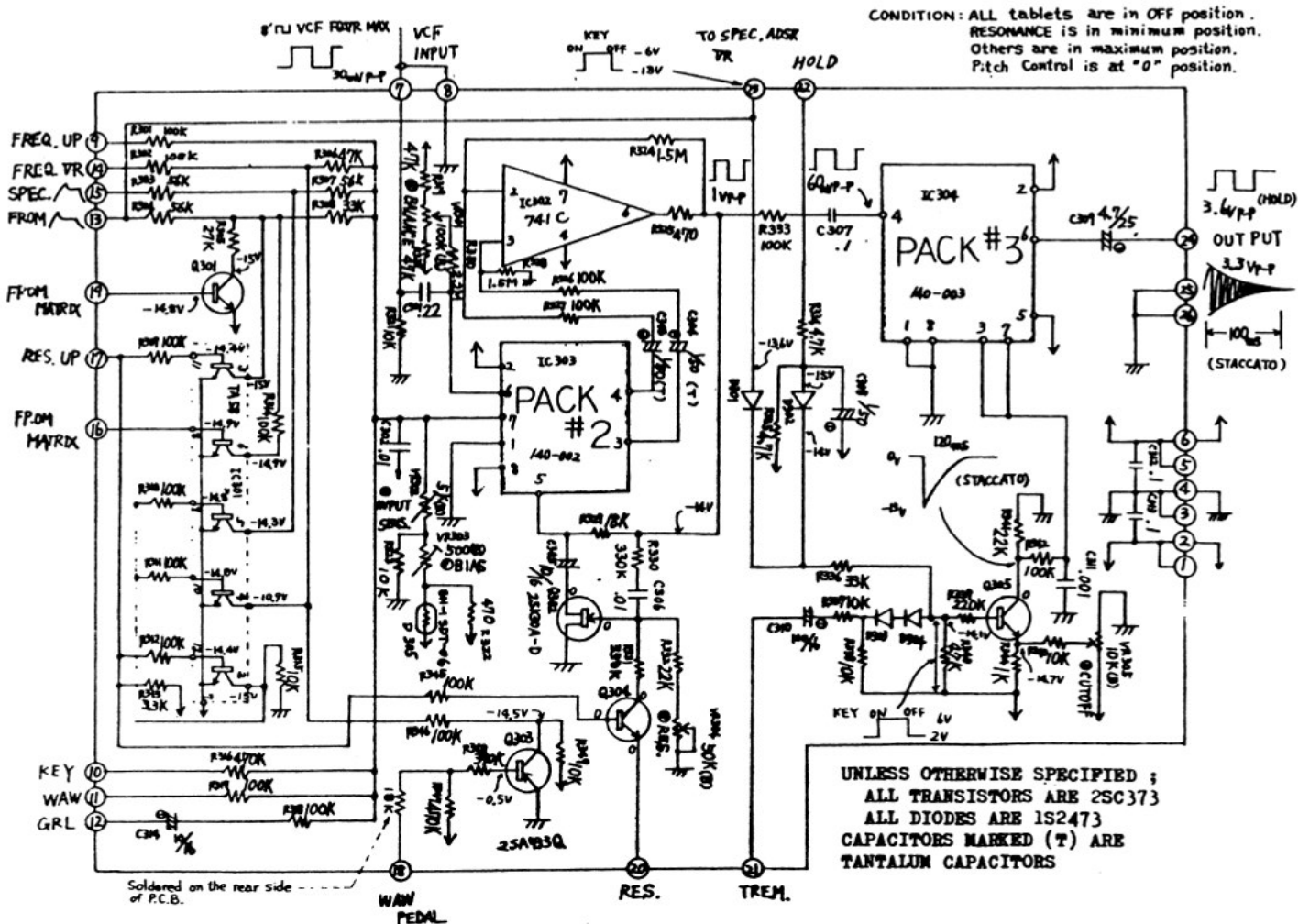
## 4-1. PARTS LAYOUT

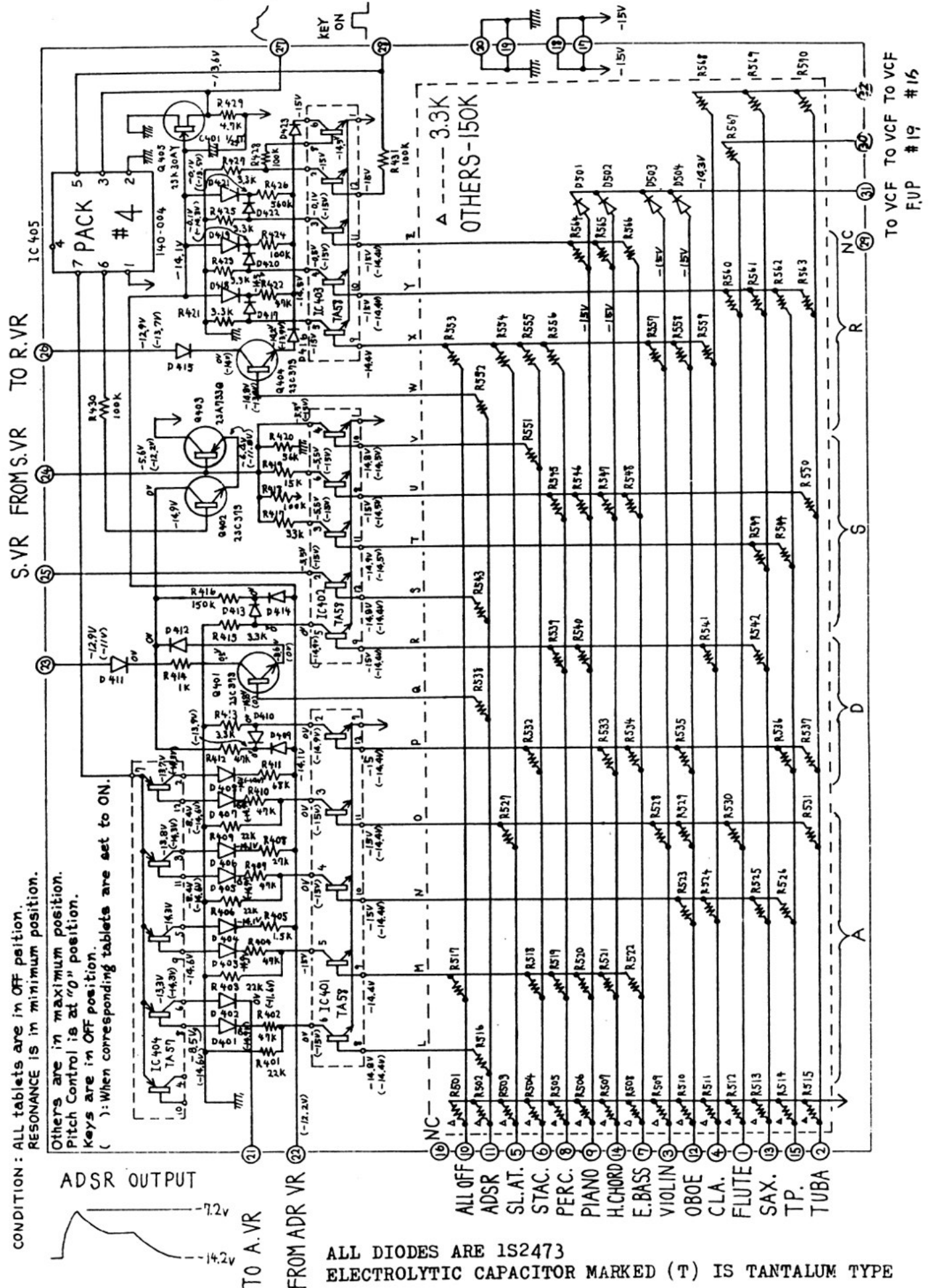


FET : 2SK-30AD D : 1S-1555 or 1S-2473  
Tr : 2SC-828R or 2SC-373

NP : NON polar Electrolytic Capacitor

## 4-2. CIRCUIT DIAGRAM (VCF-1)

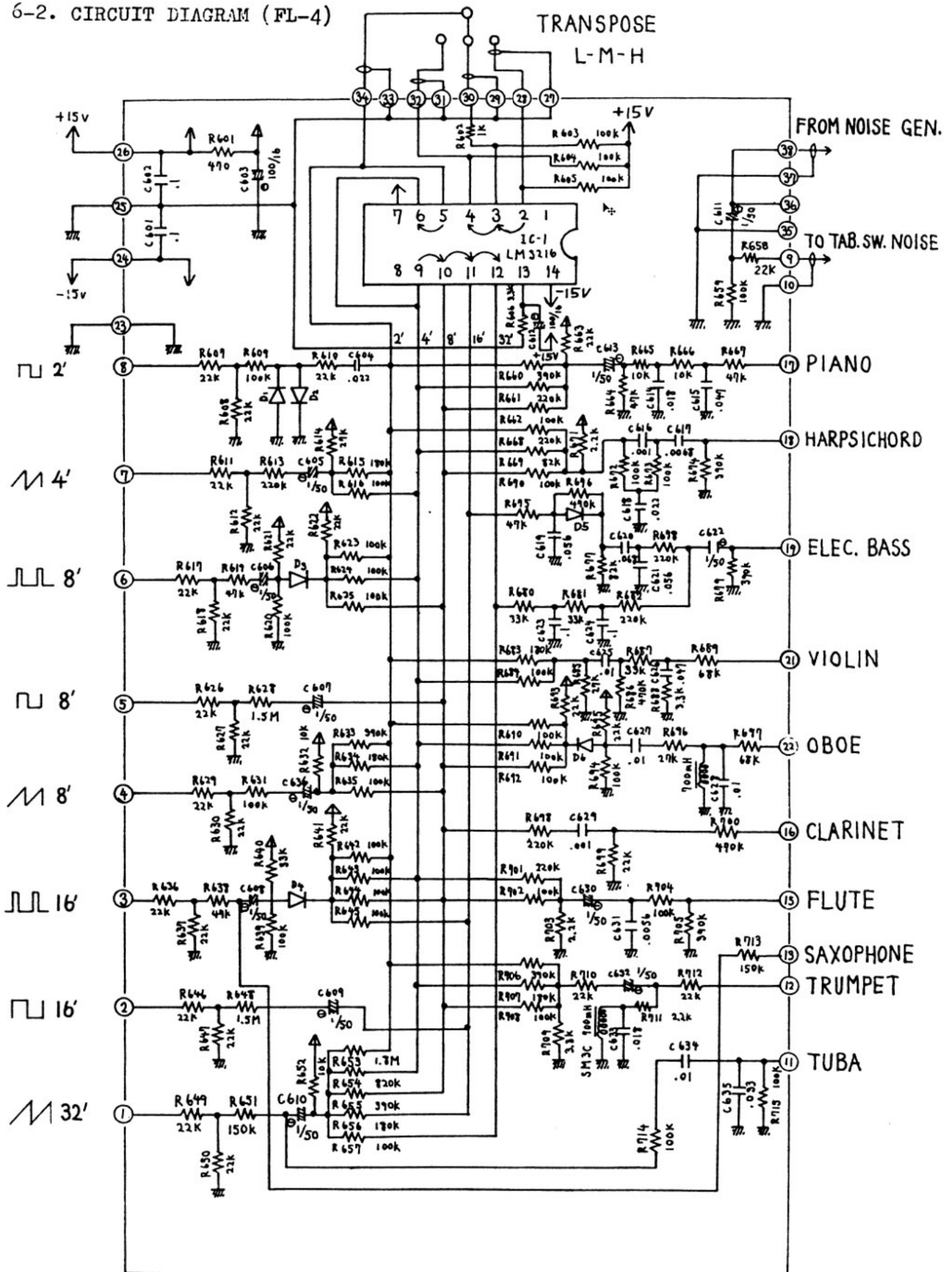








6-2. CIRCUIT DIAGRAM (FL-4)

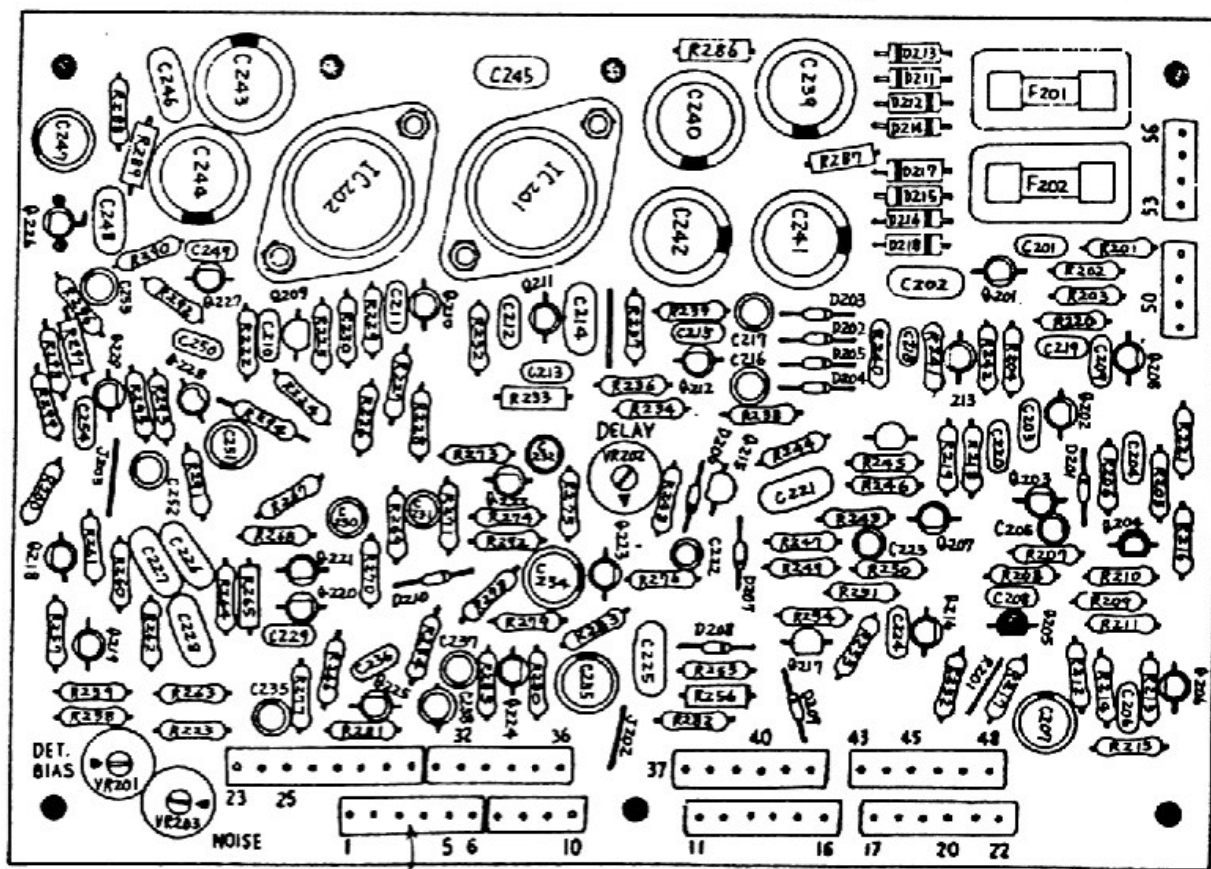
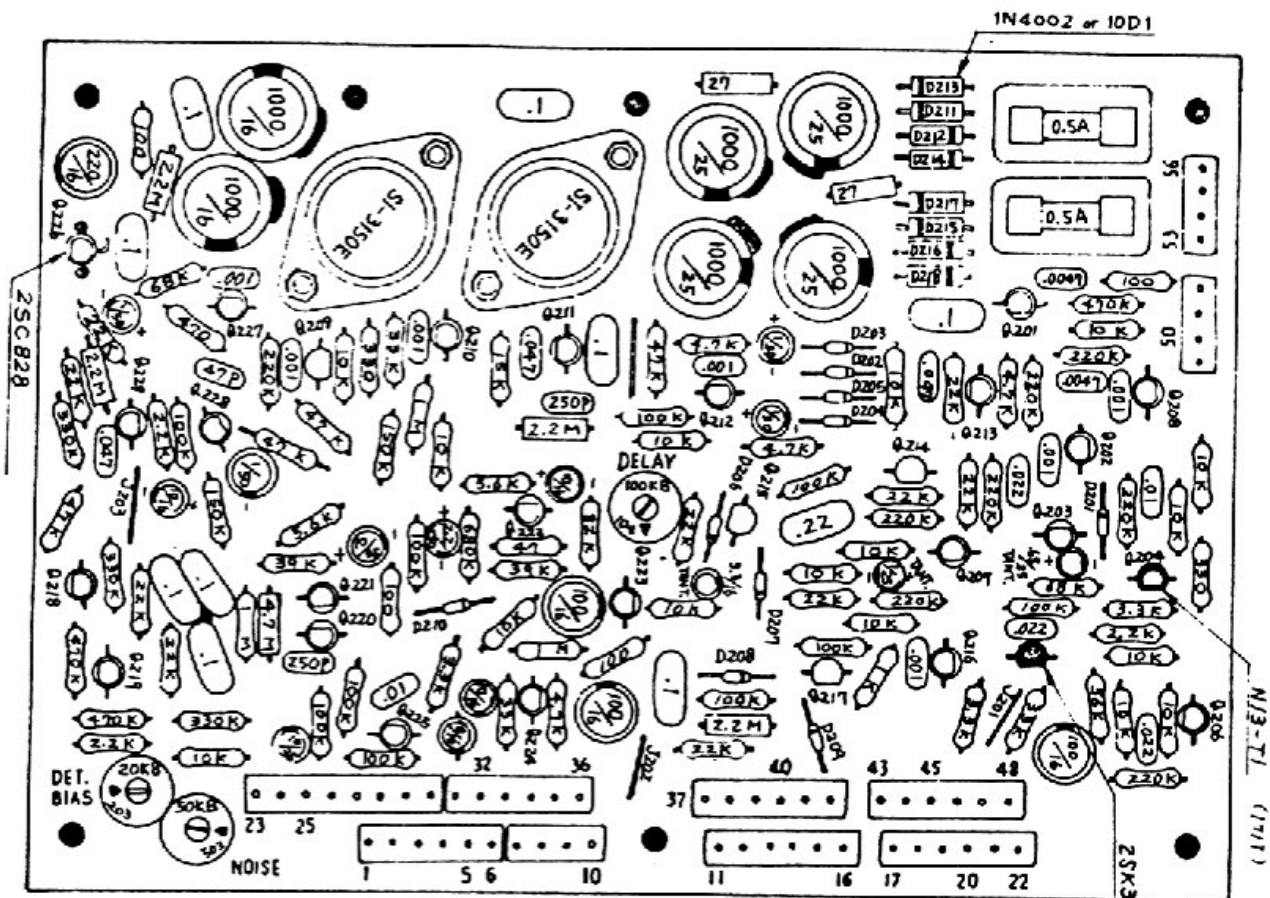


UNLESS OTHERWISE SPECIFIED :

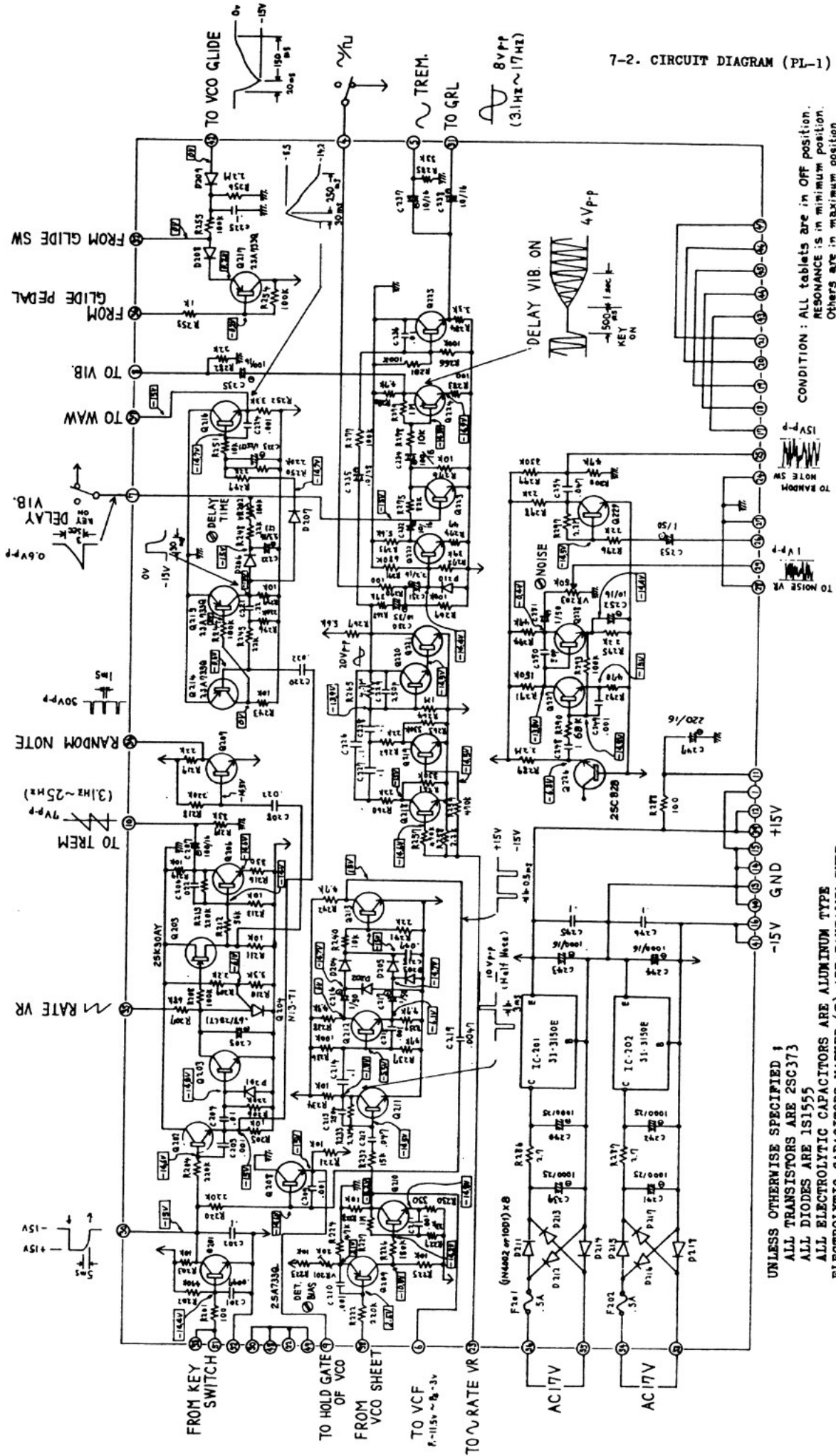
ALL RESISTORS ARE  $\pm 10\%$  TYPE, ALL DIODES ARE 1S2473  
 ALL CAPACITORS ARE POLYESTER FILM  $\pm 20\%$  TYPE

7. PULSE SHEET ASSEMBLY (PL-1)

7-1. PARTS LAYOUT



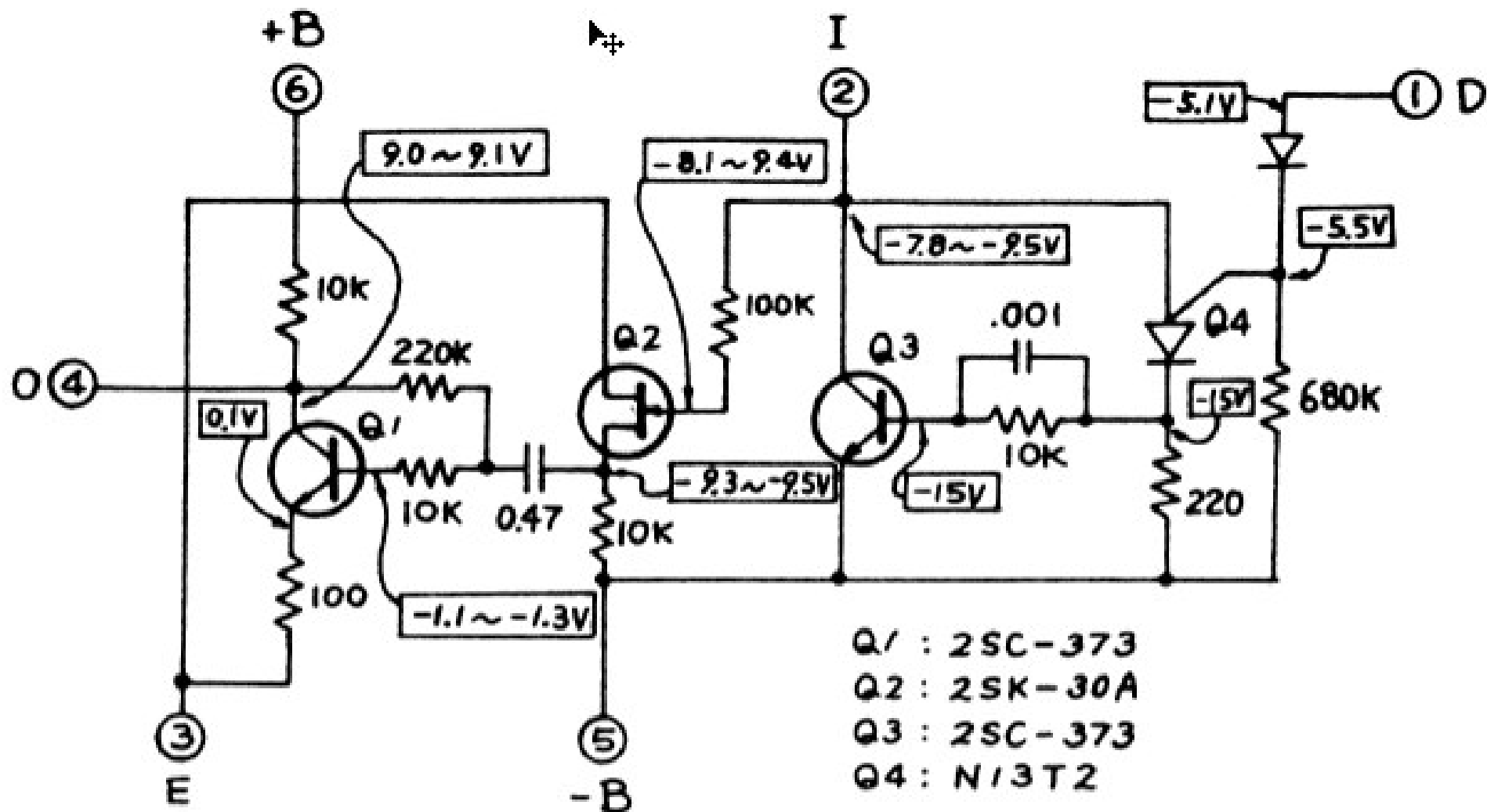
7-2. CIRCUIT DIAGRAM (PL-1)



CONDITION : ALL TABLETS ARE IN OFF POSITION.  
 RESONANCE IS IN MINIMUM POSITION.  
 OTHERS ARE IN MAXIMUM POSITION.  
 Pitch Control is at "0" position.

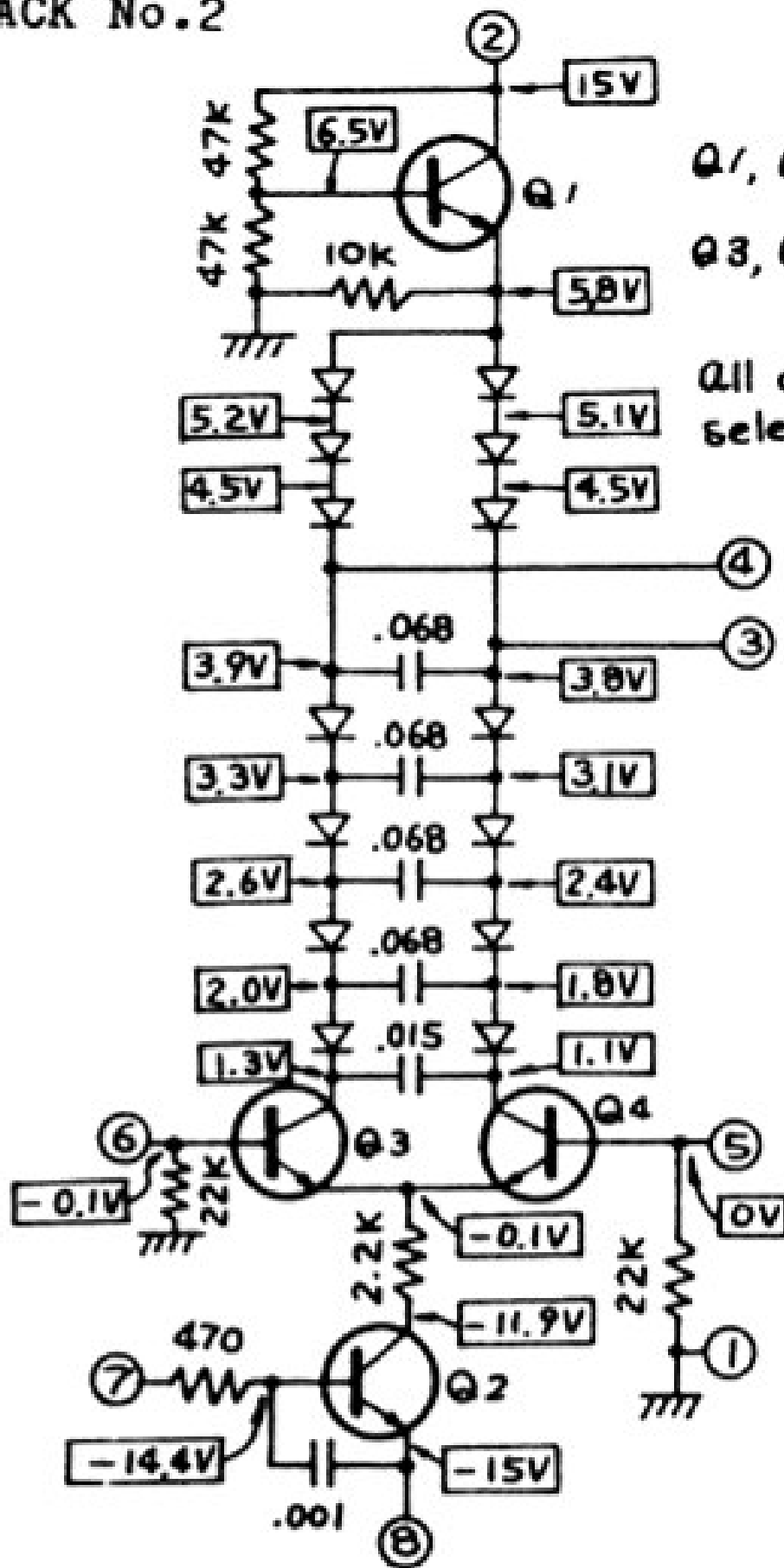
UNLESS OTHERWISE SPECIFIED :  
 ALL TRANSISTORS ARE 2SC373  
 ALL DIODES ARE 1S1555  
 ALL ELECTROLYTIC CAPACITORS ARE ALUMINUM TYPE  
 ELECTROLYTIC CAPACITORS MARKED (T) ARE TANTALUM TYPE

8-1. PACK No.1





8-2. PACK No.2

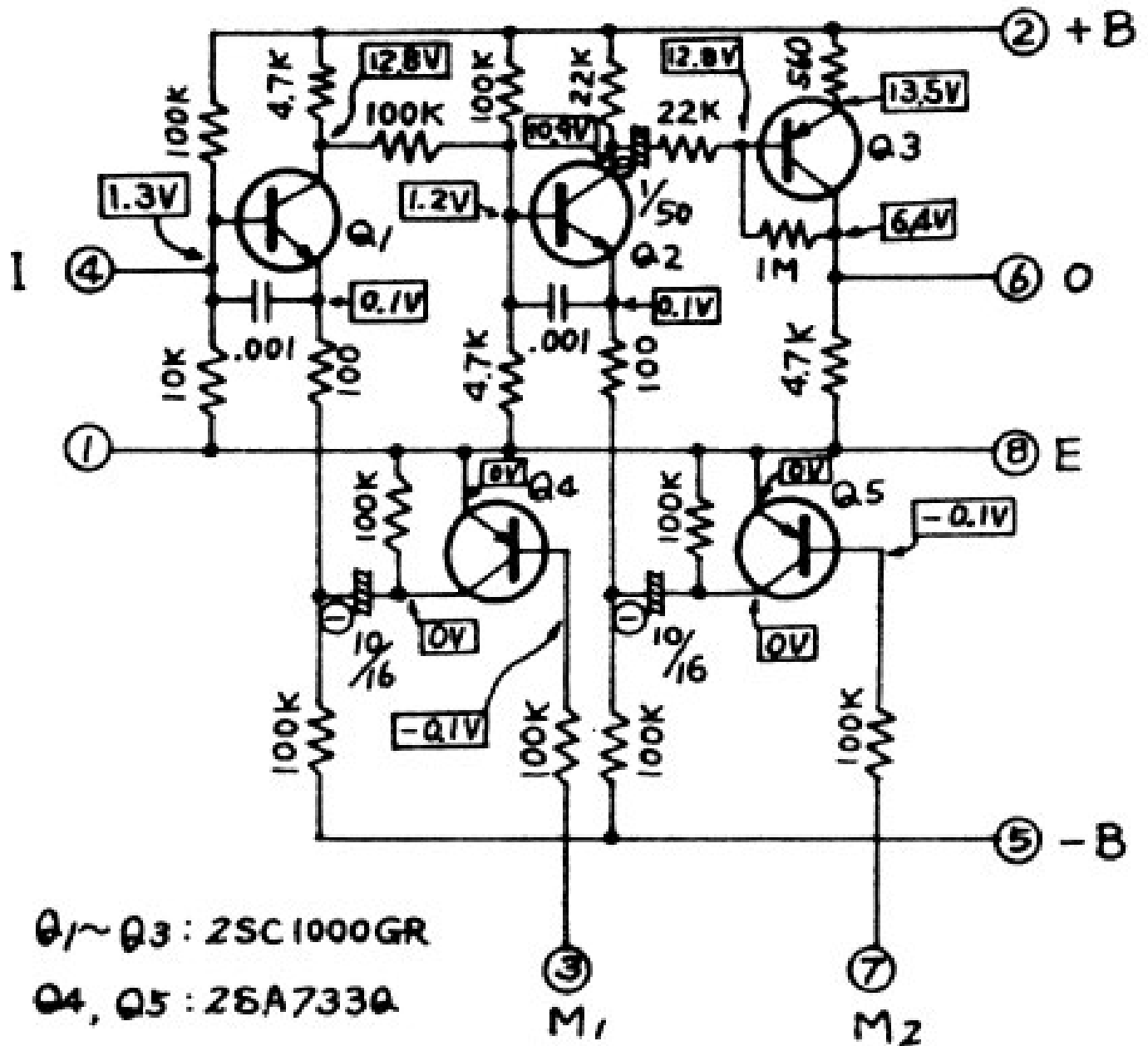


Q1, Q2 : 25C-373

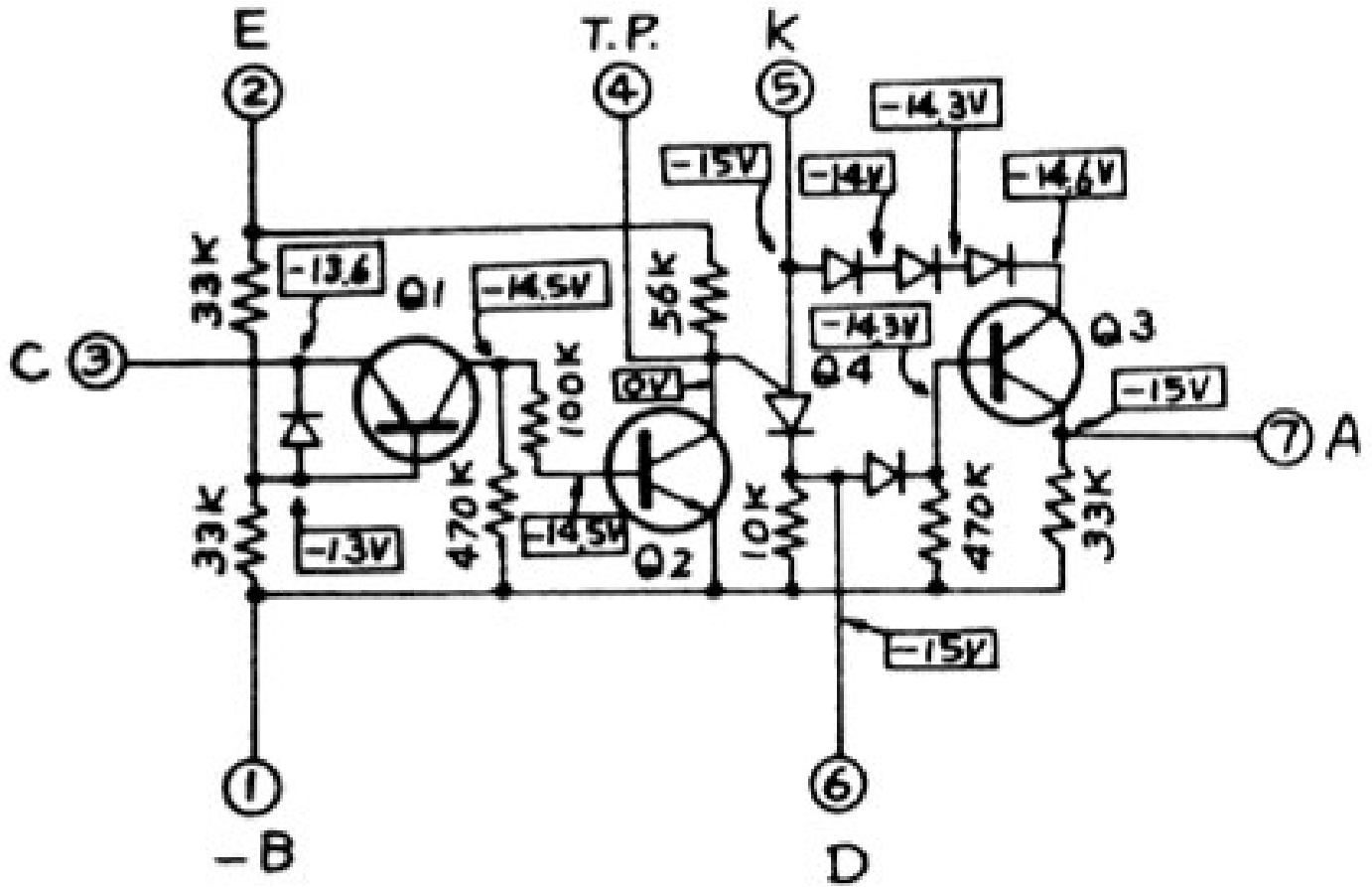
Q3, Q4 : 25C-1000GY  
(Selected)

All diodes are  
selected.

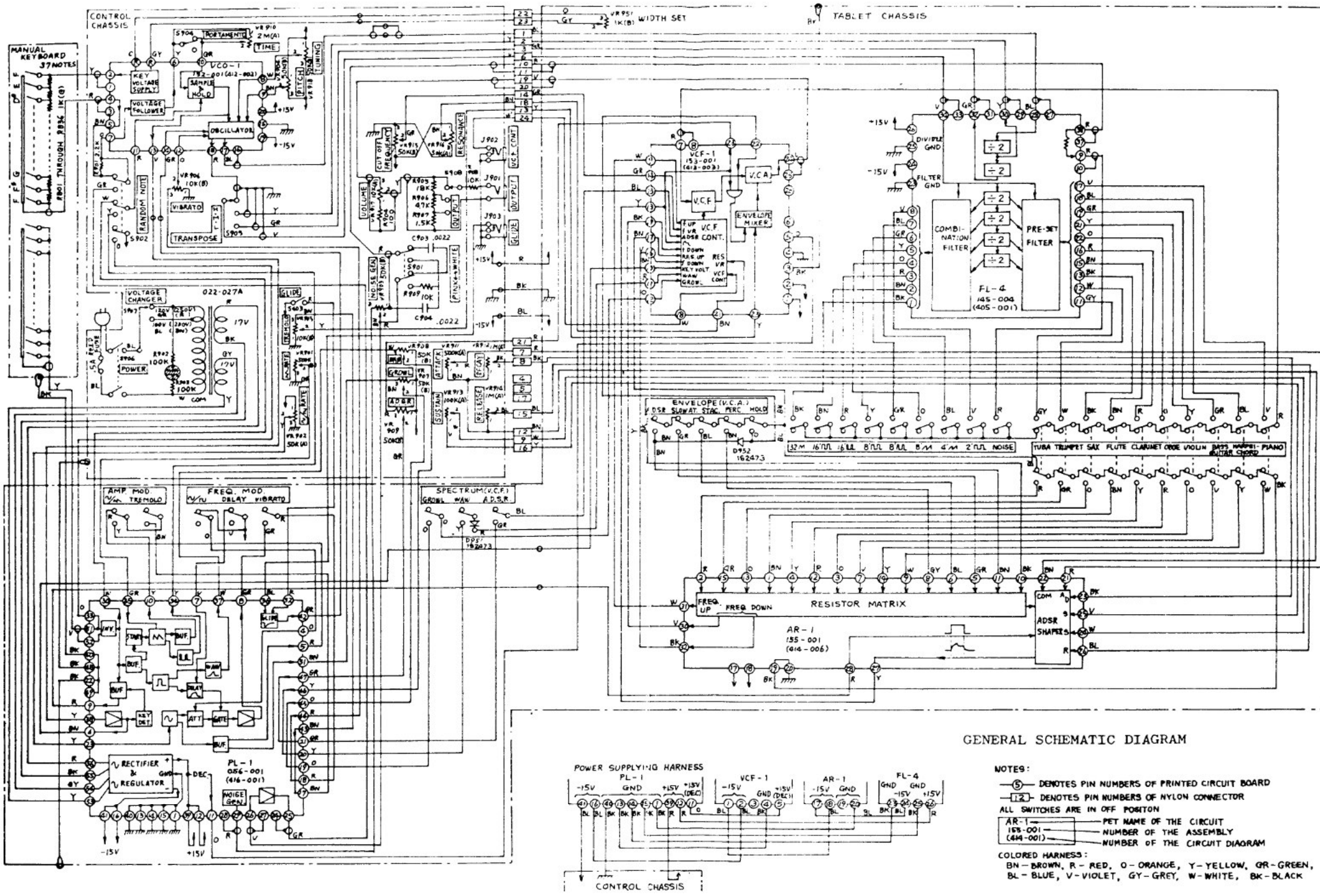
8-3. PACK No. 3



3-4. PACK No.4



- Q1, Q3 : 2SA733A  
 Q2 : 2SC373  
 Q4 : N/3T/



GENERAL SCHEMATIC DIAGRAM

- NOTES:
- ⑤ DENOTES PIN NUMBERS OF PRINTED CIRCUIT BOARD
  - ⑫ DENOTES PIN NUMBERS OF NYLON CONNECTOR
  - ALL SWITCHES ARE IN OFF POSITION
  - AR-1 — PET NAME OF THE CIRCUIT
  - 153-001 — NUMBER OF THE ASSEMBLY
  - 444-001 — NUMBER OF THE CIRCUIT DIAGRAM
- COLORS HARNESS:
- BN - BROWN, R - RED, O - ORANGE, Y - YELLOW, GR - GREEN,
  - BL - BLUE, V - VIOLET, GY - GREY, W - WHITE, BK - BLACK