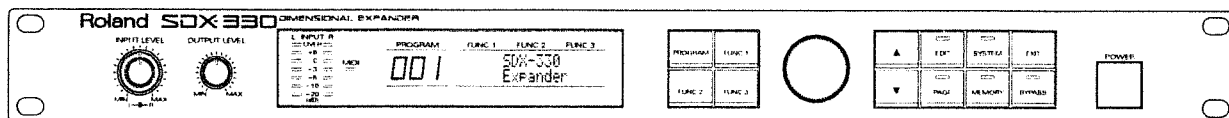




Roland®

DIMENSIONAL EXPANDER

SDX-330

Owner's Manual



	CAUTION RISK OF ELECTRIC SHOCK DO NOT OPEN	
ATTENTION: RISQUE DE CHOC ELECTRIQUE NE PAS OUVRI		
CAUTION: TO REDUCE THE RISK OF ELECTRIC SHOCK, DO NOT REMOVE COVER (OR BACK). NO USER-SERVICEABLE PARTS INSIDE. REFER SERVICING TO QUALIFIED SERVICE PERSONNEL.		



The lightning flash with arrowhead symbol, within an equilateral triangle, is intended to alert the user to the presence of uninsulated "dangerous voltage" within the product's enclosure that may be of sufficient magnitude to constitute a risk of electric shock to persons.



The exclamation point within an equilateral triangle is intended to alert the user to the presence of important operating and maintenance (servicing) instructions in the literature accompanying the product.

INSTRUCTIONS PERTAINING TO A RISK OF FIRE, ELECTRIC SHOCK, OR INJURY TO PERSONS.

IMPORTANT SAFETY INSTRUCTIONS

SAVE THESE INSTRUCTIONS

WARNING - When using electric products, basic precautions should always be followed, including the following:

1. Read all the instructions before using the product.
2. Do not use this product near water — for example, near a bathtub, washbowl, kitchen sink, in a wet basement, or near a swimming pool, or the like.
3. This product should be used only with a cart or stand that is recommended by the manufacturer.
4. This product, either alone or in combination with an amplifier and headphones or speakers, may be capable of producing sound levels that could cause permanent hearing loss. Do not operate for a long period of time at a high volume level or at a level that is uncomfortable. If you experience any hearing loss or ringing in the ears, you should consult an audiologist.
5. The product should be located so that its location or position does not interfere with its proper ventilation.
6. The product should be located away from heat sources such as radiators, heat registers, or other products that produce heat.
7. The product should be connected to a power supply only of the type described in the operating instructions or as marked on the product.
8. The power-supply cord of the product should be unplugged from the outlet when left unused for a long period of time.
9. Care should be taken so that objects do not fall and liquids are not spilled into the enclosure through openings.
10. The product should be serviced by qualified service personnel when:
 - A. The power-supply cord or the plug has been damaged; or
 - B. Objects have fallen, or liquid has been spilled onto the product; or
 - C. The product has been exposed to rain; or
 - D. The product does not appear to operate normally or exhibits a marked change in performance; or
 - E. The product has been dropped, or the enclosure damaged.
11. Do not attempt to service the product beyond that described in the user-maintenance instructions. All other servicing should be referred to qualified service personnel.

For the USA

This product may be equipped with a polarized line plug (one blade wider than the other) . This is a safety feature. If you are unable to insert the plug into the outlet, contact an electrician to replace your obsolete outlet. Do not defeat the safety purpose of the plug.

For Canada

For Polarized Line Plug

CAUTION: TO PREVENT ELECTRIC SHOCK, MATCH WIDE BLADE OF PLUG TO WIDE SLOT, FULLY INSERT.


ATTENTION: POUR ÉVITER LES CHOCS ÉLECTRIQUES, INTRODUIRE LA LAME LA PLUS LARGE DE LA FICHE DANS LA BORNE CORRESPONDANTE DE LA PRISE ET POUSSER JUSQU' AU FOND.

For the U.K.

WARNING: THE APPARATUS MUST BE EARTHED

IMPORTANT: THE WIRES IN THIS MAINS LEAD ARE COLOURED IN ACCORDANCE WITH THE FOLLOWING CODE.
 GREEN-AND-YELLOW: EARTH, BLUE: NEUTRAL, BROWN: LIVE

As the colours of the wires in the mains lead of this apparatus may not correspond with the coloured markings identifying the terminals in your plug, proceed as follows:

The wire which is coloured GREEN-AND-YELLOW must be connected to the terminal in the plug which is marked by the letter E or by the safety earth symbol  or coloured GREEN or GREEN-AND YELLOW.

The wire which is coloured BLUE must be connected to the terminal which is marked with the letter N or coloured BLACK.

The wire which is coloured BROWN must be connected to the terminal which is marked with the letter L or coloured RED.

The product which is equipped with a THREE WIRE GROUNDING TYPE LINE PLUG must be grounded.

Thank you, and congratulations on your choice of the Roland SDX-330 Dimensional Expander. Before starting out, please take the time to read through this manual. Doing so will ensure proper operation and years of trouble-free service.

Features

•High Quality Effects

The effects produced by this unit can rival those of much costlier devices (often found in professional studios). This is because the SDX-330 uses 16-bit, 44.1 kHz digital processing, and was designed as a result of painstaking efforts directed at redefining and redeveloping all the essential features that a professional-quality.

•RSS Technology

The SDX-330 provides newly developed algorithms which can deliver effects that are quite revolutionary—including a 'three-dimensional' effects which has its early reflections localized in a multiple number of positions in space. New effects such as this are possible thanks to the technological expertise accumulated through Roland's development of the RSS (Roland Sound Space) system.

•Full Stereo Support

With every stereo algorithm, the internal processing of the left and right channels is done independently. This assures that every detail of spatial localization contained in the input signals is retained even after effects have been applied.

•Real-Time Parameter Control

The effects you obtain can easily and conveniently be altered while a performance takes place. Either pedals, or MIDI messages can be used to control specified parameters.

How To Use This Manual

This manual is broadly divided into six chapters. Together, they explain the available functions, and how they are used for everyday performance. Also provided are instructions on how to make all the possible settings. The Table of Contents should be referred to when necessary. In addition, an alphabetical index is provided at the back, making it convenient for you to look up any items you have trouble understanding while operating the unit.

Chapter contents:

CHAPTER 1 : PRODUCING SOUND

This chapter explains how to connect the unit with your other equipment, how to select effects, and most of the other basic procedures you need to know.

CHAPTER 2 : EDITING EFFECTS PROGRAMS

This chapter explains how to edit the settings for effects stored in 'Program Numbers' in memory, and alter settings for Control Assign and the Effect Name.

CHAPTER 3 : ALGORITHM STRUCTURE

An algorithm determines the combination of effects and the parameters that make up the effects. This chapter explains what each algorithm is all about.

CHAPTER 4 : HOW THE PARAMETERS FUNCTION

This chapter describes the functions of the parameters that make up the algorithms. The parameters used in the effects vary from one algorithm to another. For details, check out "Algorithm Structure."

CHAPTER 5 : USING MIDI

This chapter explains how to use an external MIDI device to change and control the SDX-330's effects, and other information about MIDI functions.

CHAPTER 6 : REFERENCE

This chapter lists the factory default settings, and contains useful information about what to do when the unit is not responding as expected.

CONTENTS

IMPORTANT NOTES	6
PANEL DESCRIPTIONS	7
Chapter 1 : PRODUCING SOUND	
Making the Connections	10
Turning ON Power — Standby	12
Turn ON Power	12
Adjusting the Input Level	12
Adjusting the Output Level	12
Selecting Effects Programs	13
Turning Bypass ON/OFF	14
Choosing What Is Shown In the Display	15
Chapter 2 : EDITING EFFECTS PROGRAMS	
Before Beginning to Create Your Own Effects	18
User Area and Preset Area	18
Programmable Functions	18
Procedure for Sound Creation	18
Making Settings for the Effects	19
Making Settings for Control Assign	22
Setting the Effect Name	27
Selecting Parameters Displayed in Top Screen	30
Altering the Order Parameters Are Displayed	32
Comparing Sounds	34
Storing Edited Changes (Write Procedure)	35
Making Copies	36
System Function Settings	37
Chapter 3 : ALGORITHM STRUCTURE	
1: Stereo Chorus	42
2: Stereo 3D Chorus	43
3: 3D Panner	44
4: Space Chorus	45
5: 2 Band Chorus	46
6: 3 Band Chorus	47
7: 4 Band Chorus	48
8: Stereo 8 Phase Chorus	49
9: 16 Phase Chorus	50
10: Detune Chorus	51
11: Ensemble	52
12: Wave Chorus	53
13: Vintage Chorus	54
14: Stereo Flanger	55
15: Rotary	56
16: Ambience Chorus	57
Common Parameters	58

Chapter 4 : HOW THE PARAMETERS FUNCTION

3D EFFECTS	60
3D PANNER	60
CHORUS	60
ENSEMBLE	62
EQUALIZER	63
FLANGER.....	64
INPUT MODE	64
MASTER	65
OVERDRIVE.....	65
OUTPUT MODE	65
ROTARY	66
SPACE CHORUS	67

Chapter 5 : USING MIDI

MIDI Applications	70
About the MIDI Indicator	70
MIDI System Function Settings	71
MIDI Program Change Map Settings	74
MIDI Data Transfer	75
Data Transmission (Bulk Dump)	75
Data Reception (Bulk Load)	77

Chapter 6 : REFERENCE

The Exchange of MIDI Data	80
Before using the 3D Effects.....	83
Troubleshooting	84
Error Messages	85
Restoring the Factory Default Settings (Initialization)	86
MIDI Implementation Chart	87
Specifications	88
Index.....	89

IMPORTANT NOTES

In addition to the items listed under Safety Precautions on page 2, please read and adhere to the following:

(Power Supply)

- *When making any connections with other devices, always turn off the power to all equipment first; this will help prevent damage or malfunction.*
- *Do not use this unit on the same power circuit with any device that will generate line noise, such as a motor or variable lighting system.*

(Placement)

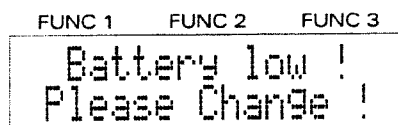
- *Using the unit near power amplifiers (or other equipment containing large transformers) may induce hum.*
- *This unit may interfere with radio and television reception. Do not use this unit in the vicinity of such receivers.*

(Maintenance)

- *For everyday cleaning wipe the unit with a soft, dry cloth (or one that has been slightly dampened with water). To remove stubborn dirt, use a mild neutral detergent. Afterwards, be sure to wipe the unit thoroughly with a soft, dry cloth.*
- *Never use benzene, thinners, alcohol or solvents of any kind, to avoid the risk of discoloration and/or deformation.*

(Memory Backup)

- *The unit contains a battery which maintains the contents of memory while the main power is off. The expected life of this battery is 5 years or more. However, to avoid the unexpected loss of memory data, it is strongly recommended that you change the battery every 5 years.
Please be aware that the actual life of the battery will depend on the physical environment (especially temperature) in which the unit is used. When it is time to change the battery, consult with qualified service personnel.*
- *When the battery becomes weak, the following message will appear in the display. Please change the battery as soon as possible to avoid the loss of memory data.*



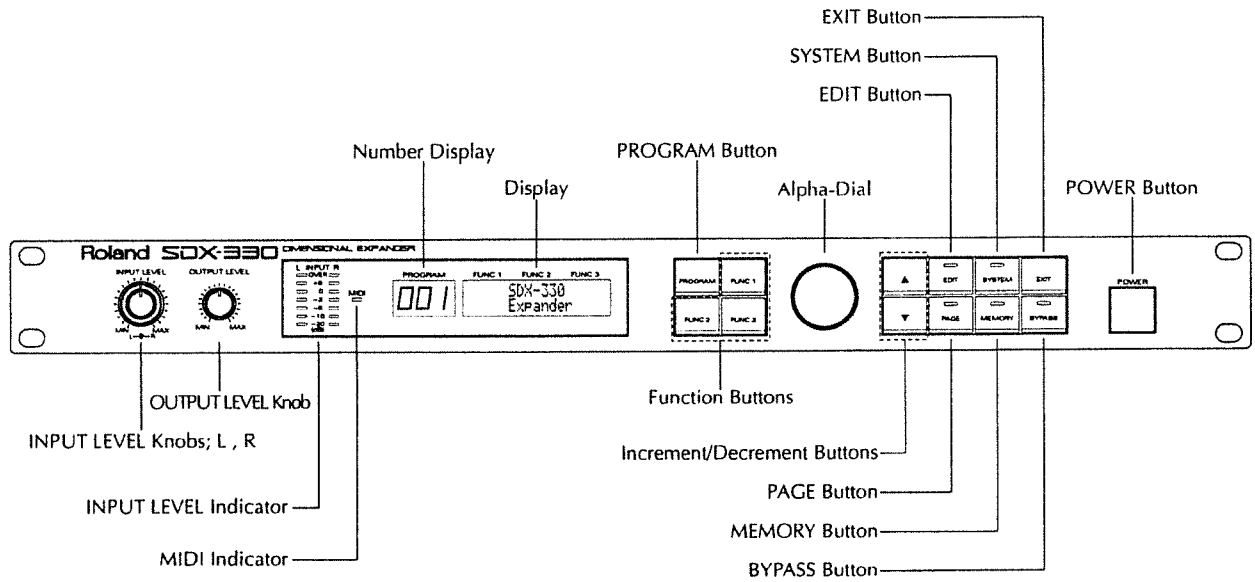
- *Please be aware that the contents of memory may at times be lost; when the unit is sent for repairs or when by some chance a malfunction has occurred. Important data should be stored in another MIDI device (eg. a sequencer), or settings written down on paper. During repairs, due care is taken to avoid the loss of data. However, in certain cases (such as when circuitry related to memory itself is out of order), we regret that it may be impossible to restore the data.*

(Additional Precautions)

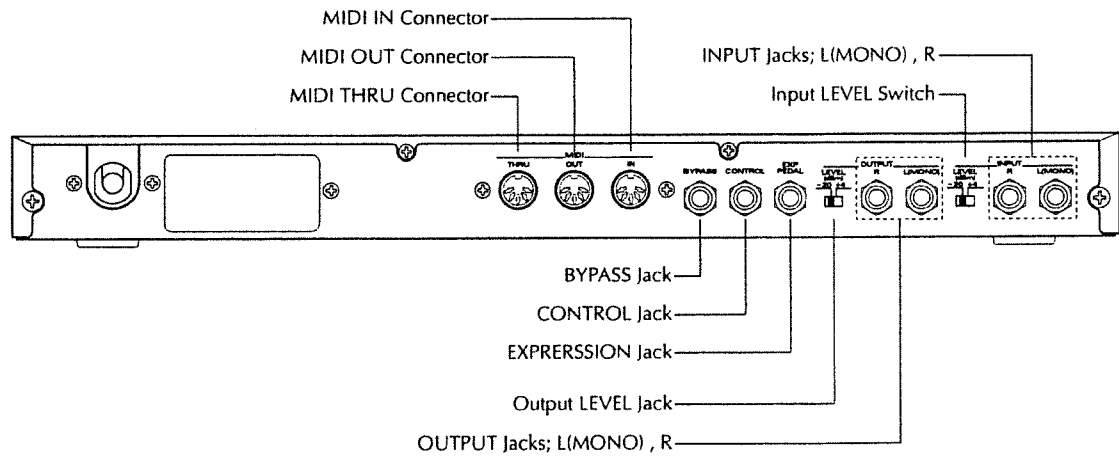
- *Protect the unit from strong impact.*
- *Never strike or apply strong pressure to the display.*
- *A small amount of heat will radiate from the unit during normal operation.*
- *Before using the unit in a foreign country, consult with qualified service personnel.*

PANEL DESCRIPTIONS

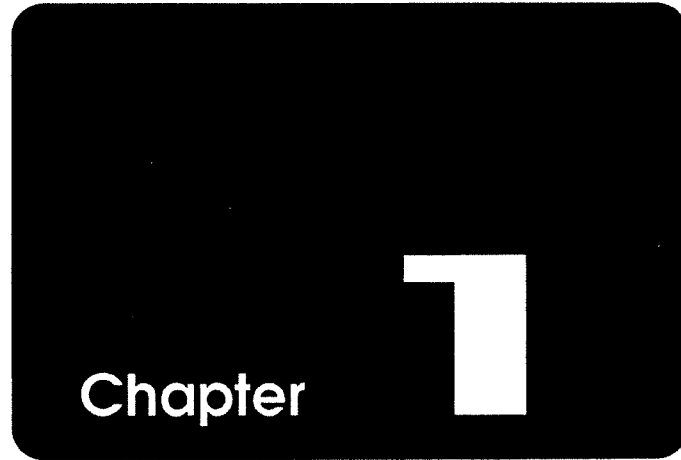
Front Panel



Rear Panel



MEMO



PRODUCING SOUND

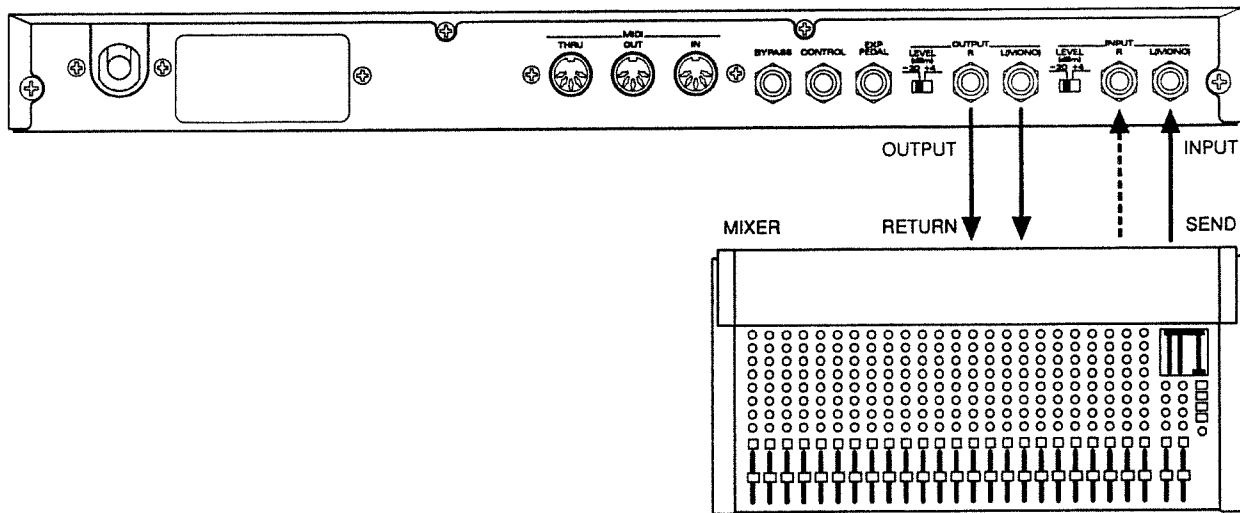
Making the Connections

Make the connections following one of the examples below, depending on the application you have in mind.

** Always have the volume on your amplifier turned down, and make sure power to all devices is OFF before inserting or pulling out any cords. If you attempt to make connections while power is ON, damage or malfunction could result.*

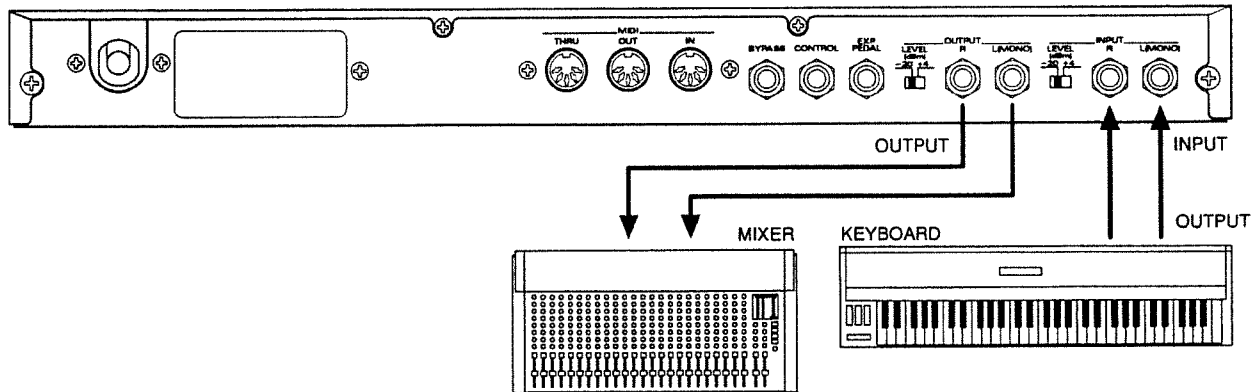
** When connecting monaural devices, use the L (MONO) jack.*

Setup Using a Mixer's Send/Return



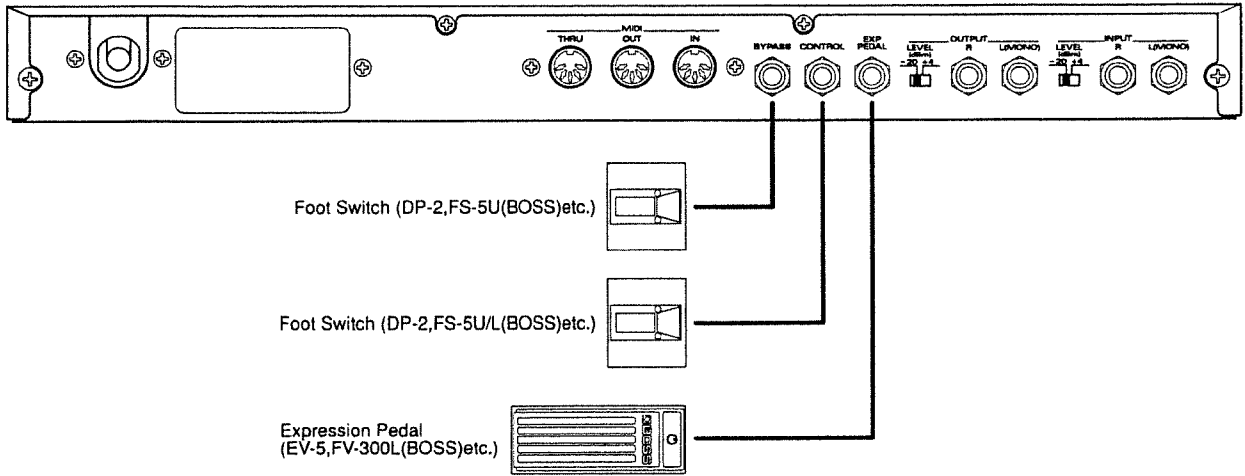
** The Level Switch settings on the SDX-330 and mixer must match.*

Setup Using a Keyboard



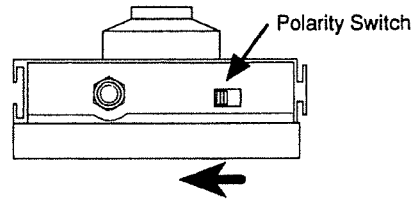
** Ordinarily, the Level Switch should be set at -20 dBm.*

Setup Using Pedals



*** When connecting an (optional) expression pedal to the EXP.PEDAL jack, set the pedal's "minimum volume" to the lowest setting possible.**

*** When connecting a BOSS FS-5U to the CONTROL and BYPASS jacks, set the polarity switch on the pedal as shown below:**

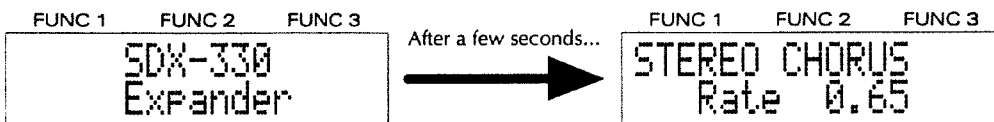


Turning ON Power — Standby

Turn ON Power

Once you are sure all connections with external units have been made properly, turn the SDX-330 ON.

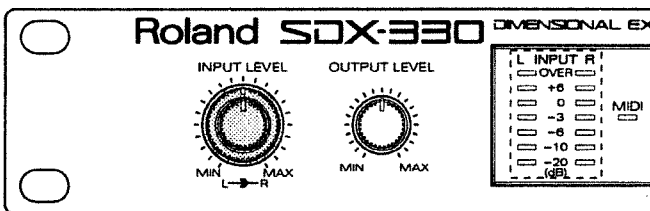
The following displays will appear as the Play Mode is selected:



- * The volume on your amplifier should be raised only after the power on every connected unit has been turned on.
- * The SDX-330 is equipped with a circuit protection device. A brief interval after power up is required before the unit will operate.
- * Each time power is turned on, the Program Number that was last selected will be selected again.
- * If the unit's display is difficult to read, adjust the contrast (p. 39).

Adjusting the Input Level

Use the Input Level knob to adjust the level of the input signals. You will know you have the correct level if the "OVER" segments of the level meter do not light (even at the moments of peak input).

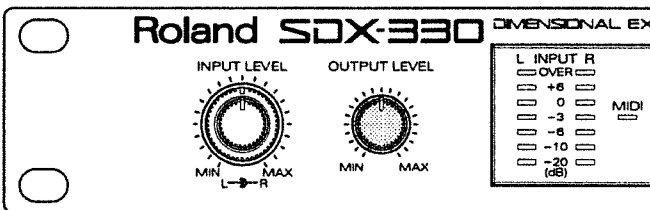


* The Input Level can be set independently for the left and right channels.

CAUTION: Distortion may be produced if the "OVER" segments of the level meter light.

Adjusting the Output Level

Here's how to adjust the SDX-330's output level.

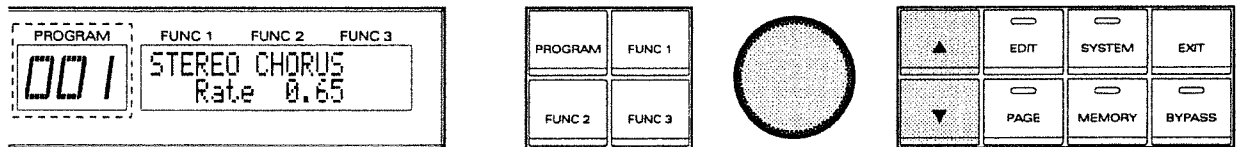


Selecting Effects Programs

All the Effects Programs are contained within their own storage location, each of which is given a 'Program Number.' Whenever you need to switch to a specific Effects Program, you use the panel to specify the Program Number.

** You can also use an external MIDI device to switch Effects Programs. For details, refer to "Changing Program Numbers" (p. 70).*

Switching Effects Programs from the Panel



Select the Program Number by rotating the ALPHA DIAL.

The [▲] and [▼] buttons can also be used to select the Program Number. Each press of [▲] increases the Program Number by one. Similarly, each press of [▼] decreases the Program Number by one. Hold down either [▲] or [▼] while you press the other button to obtain a more rapid change in the number.

The currently selected Program Number will be shown in the PROGRAM display.

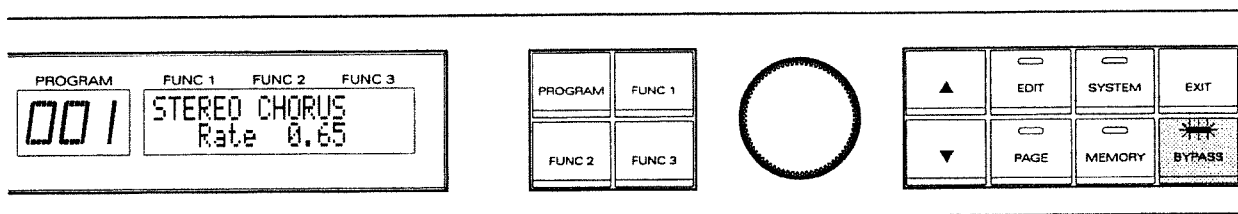
Turning Bypass ON/OFF

When you wish to have only the direct sound output, turn Bypass ON. Bypass can be turned ON/OFF either from the panel, or using a pedal.

- * *By turning Bypass ON, the direct sound will be output even if you have set so only the effect sound is to be output.*
- * *The Bypass function can be changed to work as a Mute ON/OFF control if required. For details, refer to "Function Selection for Bypass" (p. 39).*

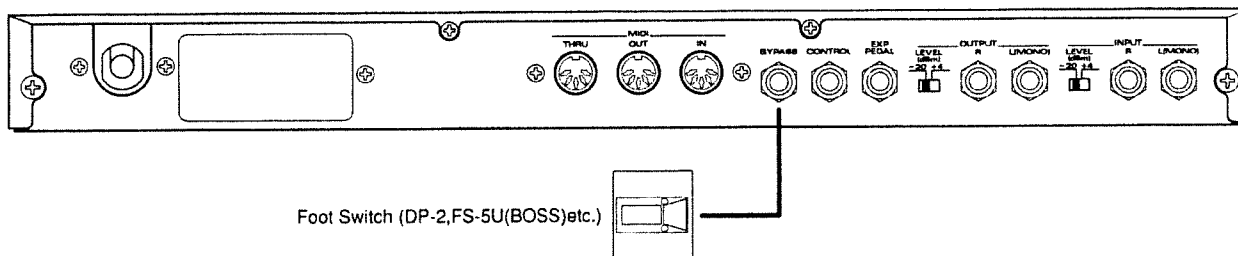
Switching From the Panel

Bypass is turned ON and OFF by pressing the panel's BYPASS button. Bypass is ON when the button's indicator is lit.

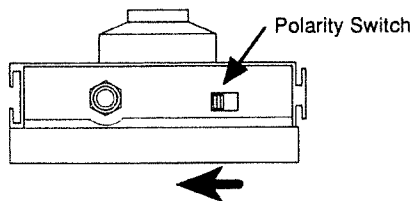


Switching By Means of a Pedal

After you have connected a pedal switch (optional DP-2, or FS-5U; BOSS) Bypass can be turned ON and OFF with the pedal.



- * *When using an FS-5U (BOSS) the polarity switch should be set as shown below:*



Choosing What Is Shown In the Display

The SDX-330 allows you to select the type of information you wish to have displayed (along with the name of the currently selected Effects Program) while in the Play mode. The two choices are as follows:

Specified Parameter Name and Value of Setting:

With this setting, the names of the parameters (and values) that have been specified for each of the Program Numbers will be shown in the display. This allows you to distinguish among Program Numbers even if they have been given the same Effects name.

FUNC 1	FUNC 2	FUNC 3
STEREO CHORUS		
Rate 0.65		

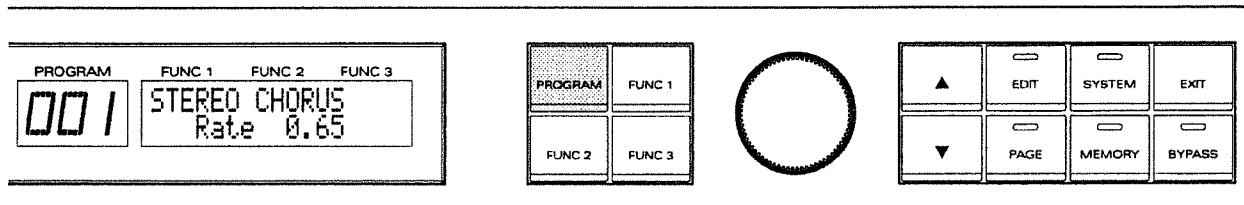
** To select the parameters that will be displayed, refer to "Selecting Parameters Displayed in Top Screen" (p. 30).*

Algorithm Number:

The algorithm number (and type) being used is displayed.

FUNC 1	FUNC 2	FUNC 3
STEREO CHORUS		
1: Stereo Chorus		

(PROCEDURE)



You can switch between the two choices by pressing [PROGRAM] while in the Play mode.

MEMO



EDITING EFFECTS PROGRAMS

Before Beginning to Create Your Own Effects

The following explains some of the basics you should know before you begin creating your own Effects Programs.

User Area and Preset Area

The 300 Program numbers of the SDX-330 are divided into two areas; User Area and Preset Area.

User Area (Program Numbers 1—200):

The Program Numbers in the User Area can be used to store effects you create.

Preset Area (Program Numbers 201—300):

The Program Numbers in the Preset Area contain preprogrammed effect sounds. Effects you create cannot be stored here. However, you can copy an effect from the Preset Area into the User Area and then edit it.

Programmable Functions

The Program Numbers in the User Area can contain the following data:

- Effect Sounds (the relevant parameters will differ depending on the algorithm)
- Control Assign (5 types: settings for these are made when you wish to use a pedal connected to the SDX-330, or an external MIDI device to control parameters.)
- Effect Name
- Parameters displayed on the top line of the display
- Order in which parameters are displayed

What is an Algorithm?

An algorithm is a unit which contains information that decides which effectors are to be used, and provides a configuration for all the parameters (basic elements) that go toward creating a desired effect. A selection of 16 such algorithms are contained in the SDX-330.

Since each algorithm was carefully designed for a practical musical situation, with settings that have proved to be the most effective, they can save you a lot of time and effort when creating the effects you need.

Procedure for Sound Creation

First of all, select the Program Number that is similar to the effect sound you wish to create. Next, determine the algorithm type and the parameters used in the effect sound, using the "Chapter 3 : Algorithm Structure." Next, edit the parameters as you listen to the sound. Store the finished effect in a Program Number in the User Area using the Write procedure. (Note that this will automatically erase any data previously stored in that Program Number.)

**** All changes made in settings are only temporary. They will revert to their original values if you turn the power off, switch to a different Program Number or switch to the Play mode. In order to make your changes permanent, you must perform the 'Write Procedure' ("Write Procedure," p. 35), and store the effect in memory.***

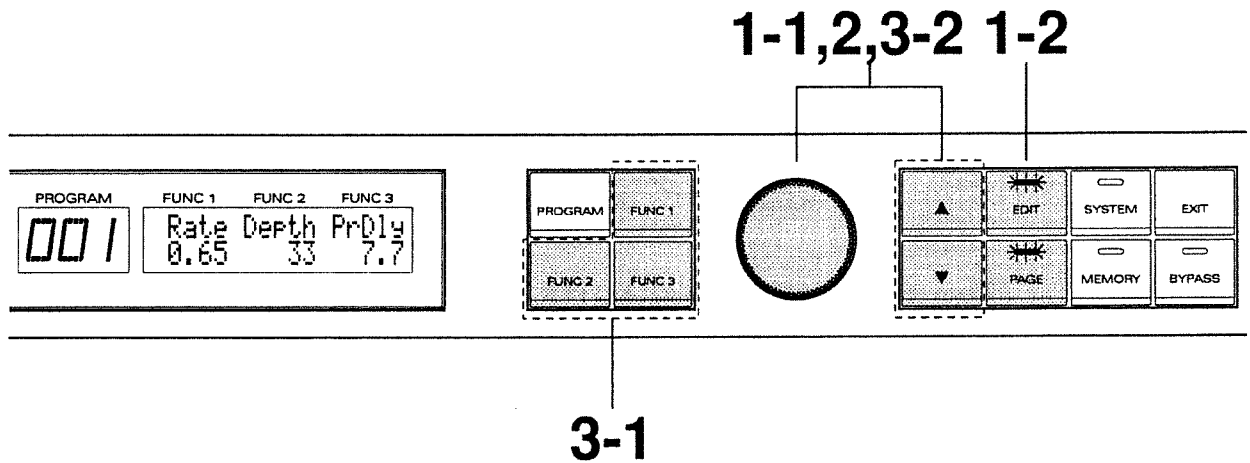
**** When you purchase the SDX-330, the effect sounds selected from the Preset Area have initially been written into the User Area. You can write your original sound in any Program Number in the User Area.***

Making Settings for the Effects

Although the types of parameters that are provided (and the way they are organized) can vary considerably depending on the algorithm, the basic procedures that you should follow when creating sounds are the same. The following explains how to make settings for the parameters.

** For information on the content of each of the algorithms (and how their parameters work) refer to the "Chapter3: Algorithm Structure."*

(PROCEDURE)



1. Get into the Parameter Edit mode.

Once in the Parameter Edit mode, you will be able to make changes in the contents that are stored at each Program Number.

** This step is, of course, unnecessary if you are already in the Parameter Edit mode (making Control Assign settings, etc.).*

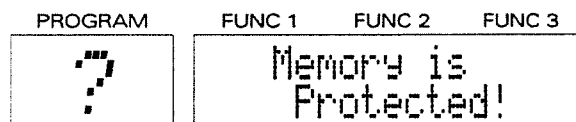
1-1. Select the Program Number (algorithm) that you are going to use as the basis for your new sound.

1-2. Press [EDIT].

The indicators on both the EDIT and PAGE buttons will light, showing that you are in the Parameter Edit mode.

(If Memory Protect is ON)

When Memory Protect is ON, it protects the current settings you have stored from being lost. For this reason, you cannot write anything new into memory. If you press [EDIT] while Memory Protect is ON, the indicator on the EDIT button will begin to flash, and the message below will appear in the display:



If you wish to store the setting changes you have made, you need to first press [EXIT] to quit editing, then turn Memory Protect OFF. For details, refer to "Memory Protect" (p. 38).

If don't intend to store your changes in memory, you can simply go ahead by pressing [EDIT] again. You then will be in the Parameter Edit mode. In this case you will need to press [EXIT] when you're through editing. If you attempt to perform a Write while Memory Protect is ON, the message shown above will appear in the display.

2. Select the parameter you wish to change.

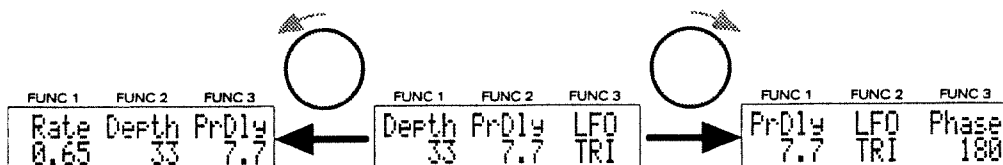
** This step is, of course, not necessary if the parameter is already selected.*

Select the parameter you wish to make changes in using the ALPHA DIAL or the [▲] / [▼] buttons.

(NOTE)

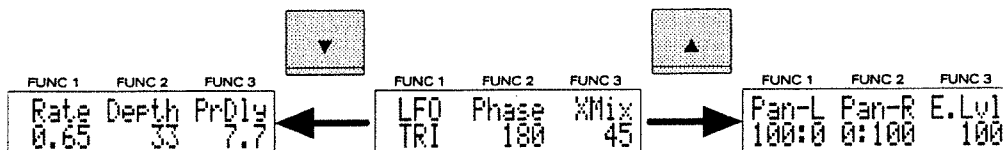
When selecting parameters using the ALPHA DIAL:

Parameters are displayed one at a time while being scrolled horizontally across the screen.



When selecting parameters using [▲] / [▼]:

Three parameters are shown at one time.



3. Make the changes in the value of the parameter.

3-1. Use [FUNC 1-3] to select the parameter you wish to change.

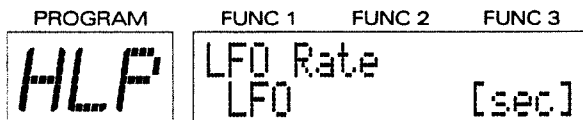
The indicator on the PAGE button will go out, and the parameter name will start flashing. Changes can now be made in the value of the parameter.

(NOTE)

For example, with the setting for the Chorus Rate (as shown below), you would press [FUNC 1]. Depending on the position (as shown in the display) of the parameter you wish to set, you need to press the appropriate function button.



** If you wish to see the Unit Name and Parameter Name of the parameter currently selected, as shown below, press [FUNC 1-3] again. To retrieve the previous display, press [EXIT].*



3-2. Set the new value by rotating the ALPHA DIAL.

The [▲] and [▼] buttons can also be used to change the value. Press [▲] to increase the value, and [▼] to decrease it. Hold down either [▲] or [▼] while you press the other button to obtain a more rapid change in the value.

3-3. If you wish to change the values for any of the other parameters that appear in the display, repeat Steps 3-1 and 3-2.

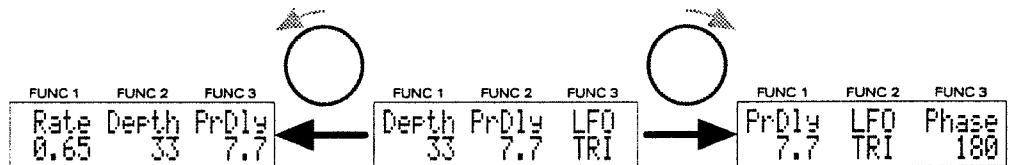
If you wish to set other parameters that are not displayed, press the PAGE button (to turn the indicator on), and then go back to Step 2 and start again from there.

(NOTE)

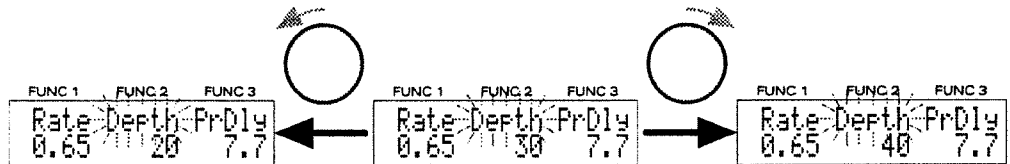
Depending on whether the indicator on the PAGE button is lit or not, the changes obtained using the ALPHA DIAL or [▲] and [▼] buttons will be different:

When the indicator is lit:

Changes in the page (parameters) are made. Every item in the display is lit.

**When the indicator is dark:**

Changes in the value are made. The name of the specific parameter that can have its value changed (by rotating the ALPHA DIAL or pressing the [▲] and [▼] buttons) will be flashing.

**4. When Finished Making Settings**

Should you wish to continue, and make settings for other items (Control Assign, Name, etc.), select each item as required. For details about how to make specific settings, refer to the section explaining the particular item.

If you wish to store your new settings in memory, carry out the Write Procedure (p. 35).

(To Cancel Settings You Have Made)

While in the process of making setting changes, you can always decide to cancel everything you have done up to that point by pressing [EXIT]. This will take you back to the mode you were in originally (the indicator on the EDIT button will be flashing).

At this point, if you are sure you do not need any of the settings changes you were making, you can press [EXIT] again. The indicator on the EDIT button will go out, and all your temporarily revised settings will be discarded. (Note that switching to a different Program Number is viewed as an "exit" as well, so your settings will be discarded even without pressing [EXIT] the second time.)

If you still haven't pressed [EXIT] (the indicator on the EDIT button is still flashing), you can go back again and continue with your revisions by pressing [EDIT]. The indicator on the EDIT button will light, and you will be back where you were before pressing the EXIT button.

Making Settings for Control Assign

Settings for Control Assign are made when you wish to use a pedal connected to the SDX-330, or an external MIDI device, to control parameter settings. Control Assign settings are concerned with which controllers are to be used to control which parameters. Up to 5 of these assignments (Assign Numbers 1—5) can be made for each Program Number.

** The page in which settings for Control Assign are made is located within the [CTL] parameters. To call up this page, refer to "Making Settings" (p. 25).*

Source: Controllers which can be specified.

The controllers listed below can be used to control parameters.

FUNC 1	FUNC 2	FUNC 3
C1Src	C1Mod	C1Trg
...	NORML	E.Lvl

No controller:

Values will not be altered under the control of an external device.

FUNC 1	FUNC 2	FUNC 3
C1Src	C1Mod	C1Trg
ExpPdl	NORML	E.Lvl

An expression pedal connected to the EXP. PEDAL jack

(such as an optional EV-5 or FV-300L (BOSS) + PCS-33)

FUNC 1	FUNC 2	FUNC 3
C1Src	C1Mod	C1Trg
Ct1SW	NORML	E.Lvl

A pedal switch connected to the CONTROL jack

(such as an optional DP-2, FS-5U or FS-5L (BOSS)).

FUNC 1	FUNC 2	FUNC 3
C1Src	C1Mod	C1Trg
PtBnd	NORML	E.Lvl

Pitch Bend messages received from an external MIDI device:

Action of a Pitch Bend Lever (Wheel).

FUNC 1	FUNC 2	FUNC 3
C1Src	C1Mod	C1Trg
AfTch	NORML	E.Lvl

Aftertouch messages received from an external MIDI device:

Pressure applied to keyboard keys.

FUNC 1	FUNC 2	FUNC 3
C1Src	C1Mod	C1Trg
Note#	NORML	E.Lvl

Note Number messages received from an external MIDI device:

Location of keys pressed on a keyboard.

FUNC 1	FUNC 2	FUNC 3
C1Src	C1Mod	C1Trg
Veloc	NORML	E.Lvl

Velocity messages received from an external MIDI device:

Force applied to keyboard keys.

FUNC 1	FUNC 2	FUNC 3
C1Src	C1Mod	C1Trg
C#008	NORML	E.Lvl

Control Change messages received from an external MIDI device (0—31, 64—95):

Operations performed using sliders, pedals, etc.

** Note that if you do not intend to use any of the 5 assignments that can be made for each Program Number, you must set such unused control numbers to "No Controller" (indicated in the display as "...").*

** For details about MIDI messages, refer to "The Exchange of MIDI Data" (p. 80).*

Operational settings from external devices

Here' how to make the settings for changing the parameters of the controller.

FUNC 1	FUNC 2	FUNC 3
015pc	C1Mod	C1Tr9
0150	NORML	E.Lvl

When Using a Momentary-type Pedal Switch for Control:

When the pedal is fully depressed the value is at maximum. Conversely, when the pedal is released the value is at minimum.

When Using a Latch-type Pedal Switch for Control:

Each press of the pedal toggles between the set minimum and maximum values.

When Using MIDI Messages or an Expression Pedal for Control:

The operation of the controller varies between the set minimum and maximum values.

FUNC 1	FUNC 2	FUNC 3
015pc	C1Mod	C1Tr9
0150	TOGGL	E.Lvl

When Using a Momentary-type Pedal Switch for Control:

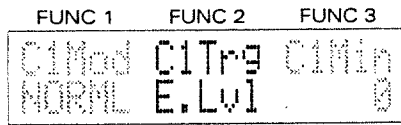
Each press of the pedal toggles between the set minimum and maximum values.

When Using MIDI Messages or an Expression Pedal for Control:

Each time the MIDI data changes from a value smaller than the median (63) to a larger value, the value toggles between the set minimum and maximum.

Target: Parameter to be controlled.

All of the parameters that make up an algorithm, and Bypass ON/OFF can be controlled.



All of the parameters that make up an algorithm.



Bypass ON/OFF

*** Although you can use a multiple number of controllers to control the same target, you must avoid instances where controllers are operated at the same time (and simultaneous requests for changes in the parameter occur). This could cause noise to be produced.**

(NOTE)

Whenever you switch to a Program Number that carries control assignments, the normal effect sound (that which is *not* affected by the control assignments) will be produced initially. The effect sound will reflect the operations of the controllers after they have been operated, and their data has arrived at the SDX-330.

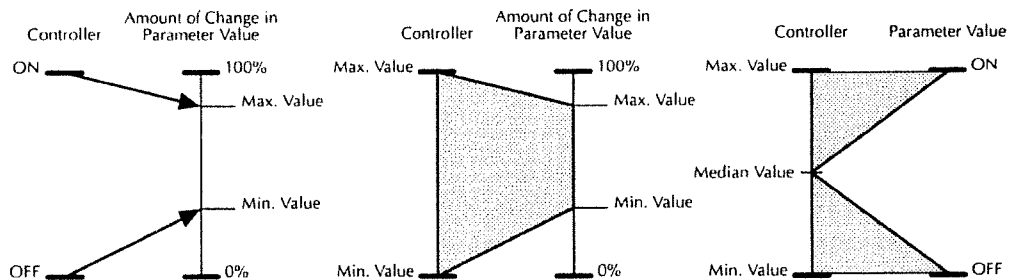
Value Range

Parameters which have been targeted by Control Assign settings will have their values changed within a range that is set in terms of "Minimum Value" and "Maximum Value" settings made on the SDX-330.

When using controllers (such as a foot switch) which turn something On/Off, OFF (CLOSED) results in the minimum value, and ON (OPEN) produces the maximum value.

With controllers (such as an expression pedal or a pitch bend lever) that produce continuous changes, the parameter value will change incrementally within the range delimited by the "Minimum Value" and "Maximum Value."

In cases where the parameter value acts simply as an ON/OFF switch, the function is turned ON if the value of the data received is greater than the median value; otherwise it is turned OFF.

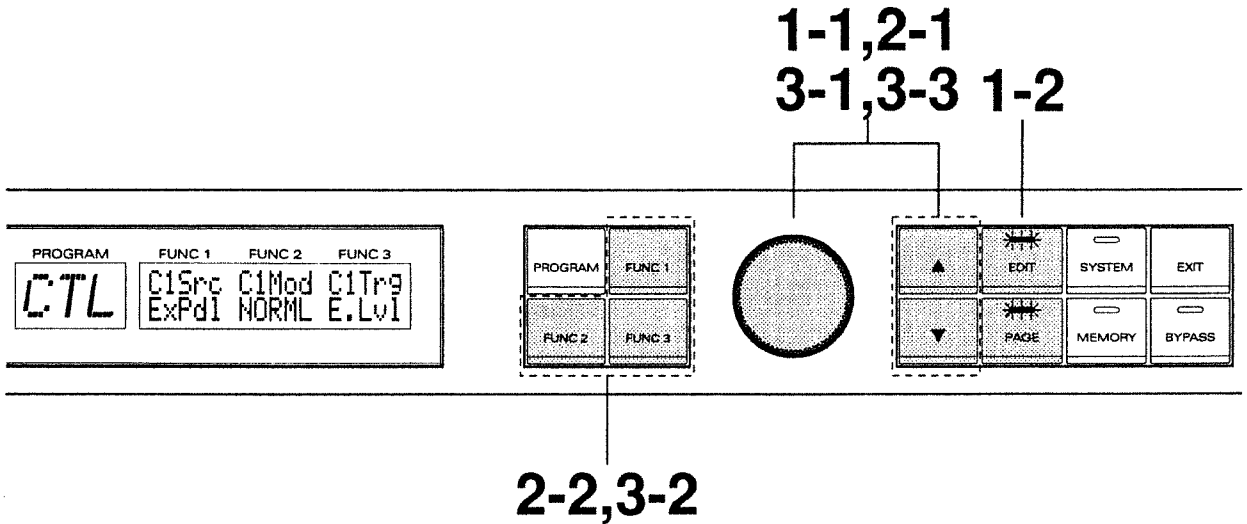


*** If you change the target after the settings for "Minimum Value" and "Maximum Value" have been made, you may find that these values have changed. To avoid problems, always redo the settings for "Minimum Value" and "Maximum Value" each time you select a new target.**

*** If you set a "Minimum Value" that is higher than the "Maximum Value," the changes in the parameter occur in the opposite direction.**

*** Any alterations made in parameter values during performance are temporary. If you change to a different Program Number, the settings will revert to their original values.**

(Making Settings)



1. Get into the Parameter Edit mode.

Once in the Parameter Edit mode, you will be able to make changes in the contents that are stored at each Program Number.

** This step is, of course, unnecessary if you are already in the Parameter Edit mode (you were previously making settings for Effects Programs, etc.).*

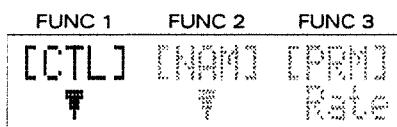
1-1. Select the Program Number (algorithm) for which you wish to make Control Assign settings.

1-2. Press [EDIT].
The indicators on the EDIT button and PAGE button will light, showing that you are in the Parameter Edit mode.

2. Select the parameter you wish to target for control assignment.

** This step is, of course, not necessary if the parameter is already selected.*

2-1. Get the parameter shown below to appear in the display using the ALPHA DIAL or [▲] / [▼].



2-2. Use [FUNC 1-3] to select the [CTL].
The indicator on the PAGE button will blink, and display will show the Control Assign page.

3. Make the changes in the value.

- 3-1. Get the parameter shown below to appear in the display using the ALPHA DIAL or [▲] / [▼].

FUNC 1	FUNC 2	FUNC 3
C1Src	C1Mod	C1Trg
Expdl	NORML	E.Lvl

Source: controllers which can be specified

FUNC 1	FUNC 2	FUNC 3
C1Src	C1Mod	C1Trg
Expdl	NORML	E.Lvl

Setting for action obtained with Pedal Switch

FUNC 1	FUNC 2	FUNC 3
C1Mod	C1Trg	C1Min
NORML	E.Lvl	0

Target: parameter which is to be controlled

FUNC 1	FUNC 2	FUNC 3
C1Trg	C1Min	C1Max
E.Lvl	0	100

Range of change in values (min. value)

FUNC 1	FUNC 2	FUNC 3
C1Min	C1Max	C2Src
0	100	...

Range of change in values (max. value)

- 3-2. Use [FUNC 1-3] to select the parameter you wish to change.
The indicator on the PAGE button will go out, and the parameter name will start flashing. This means that changes in the setting can now be made.
- 3-3. Change the setting using the ALPHA DIAL or [▲] / [▼].
- 3-4. If you wish to make settings for any of the other parameters that appear in the display, repeat Steps 3-2 and 3-3.
If you wish to set other parameters that are not displayed, press [PAGE] (so the button indicator flashes), and then go back to Step 3-1 and start again from there.

4. When Finished Making Settings

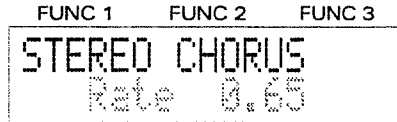
Press [EXIT] to exit the Control Assign page. You will then be in the mode where parameters can be selected.

Should you wish to continue, and make settings for other items (Parameter settings, Name, etc.) select each as required. For details about how to make specific settings, refer to the section explaining the particular item.

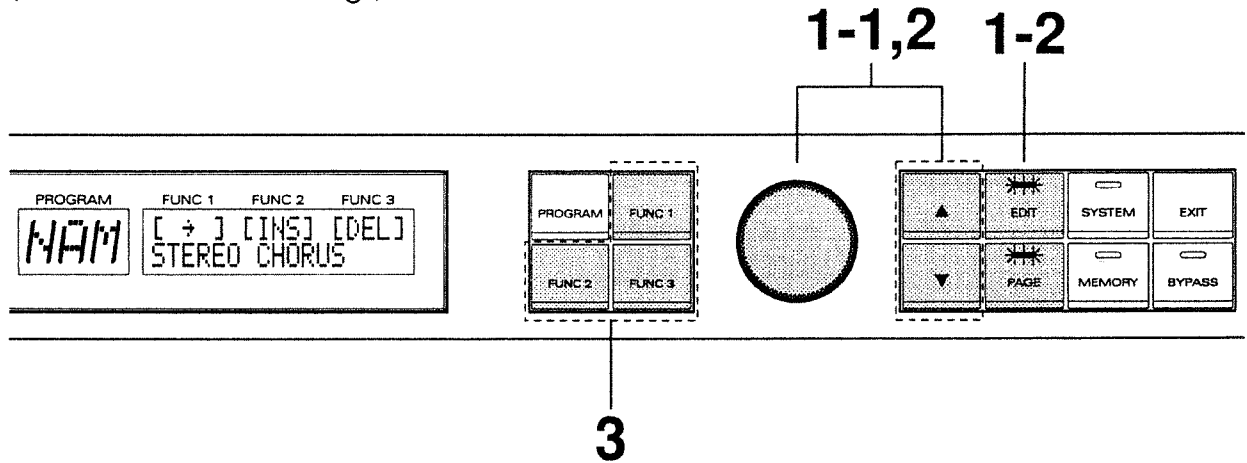
If you wish to have your setting changes stored in memory, carry out the Write Procedure (p.35).

Setting the Effect Name

A name of up to 17 characters can be created for each Program Number. The name could be anything that is convenient for you, such as one that calls to mind the type of sound it creates, or one similar to the name of a song you intend to use it with.



(How to Make the Settings)



1. Get into the Parameter Edit mode.

Once in the Parameter Edit mode, you will be able to make changes in the contents that are stored at each Program Number.

** This step is, of course, unnecessary if you are already in the Parameter Edit mode (you were previously making settings for Effects Programs, etc.).*

1-1. Select the Program Number (algorithm) to which you wish to assign an Effect Name.

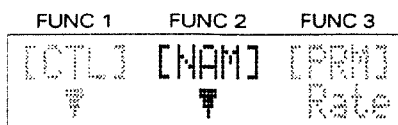
1-2. Press [EDIT].

The indicators on both the EDIT and PAGE buttons will light, showing that you are in the Parameter Edit mode.

2. Select the Effect Name parameter.

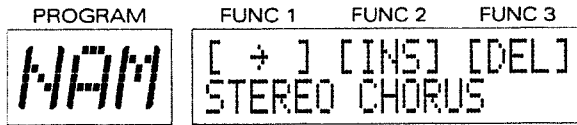
** This step is, of course, not necessary if the parameter is already selected.*

Get the parameter shown below to appear in the display using the ALPHA DIAL or [▲] / [▼].



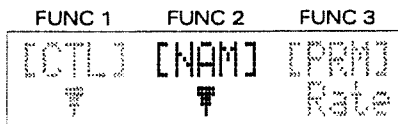
3. Switch to the page where Effect Names are created.

Use [FUNC 1-3] to select the page where you can create the name.
 The indicator on the PAGE button will go out, and the display will then show the page where you can enter the name.

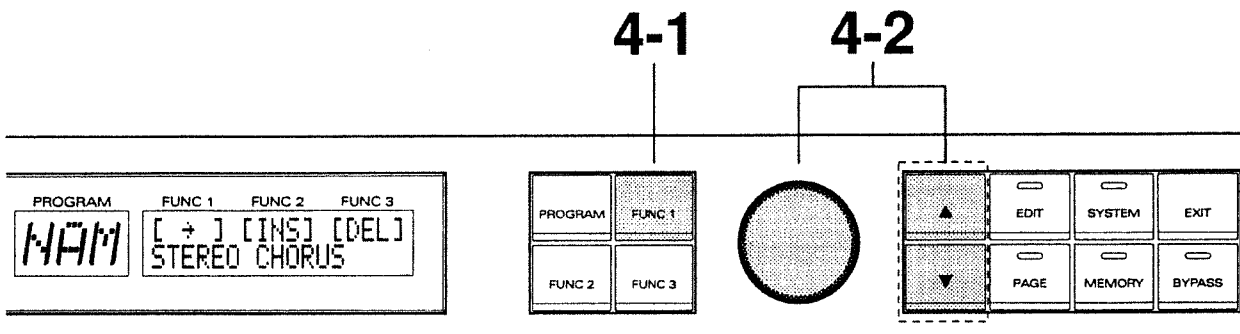


(NOTE)

When the Effect Name setting appears as shown below, you would press [FUNC 2]. However, depending on the position at which the Effect Name setting appears, you need to press the appropriate function button.



4. Create the Effect Name.



4-1. Move the flashing cursor to the first character position using [FUNC 1 (+)].

4-2. Change the character using the ALPHA DIAL or [▲] / [▼].

- * At this point, you can insert the blank that is flashing by pressing [FUNC 2].
- * At this point, you can delete the character that is flashing by pressing [FUNC 3].
- * The characters which are available for use are as shown below:
 ABCDEFGHIJKLMNOPQRSTUVWXYZ
 0123456789
 abcdefghijklmnopqrstuvwxyz
 !"#%&'()*+,-./:;<=>?@[^_`{|}~+.

4-3. To alter each of the other characters, repeat the steps starting at Step 4-1.

5. When Finished Making Settings

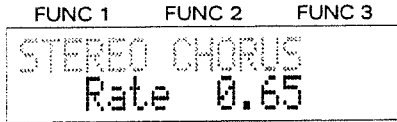
Press [EXIT] to leave the Effect Name page. You will then be in the mode where parameters can be selected.

Should you wish to continue, and make settings for other items (Parameter settings, Control Assign, etc.), select each item as required. For details about how to make specific settings, refer to the section explaining the particular item.

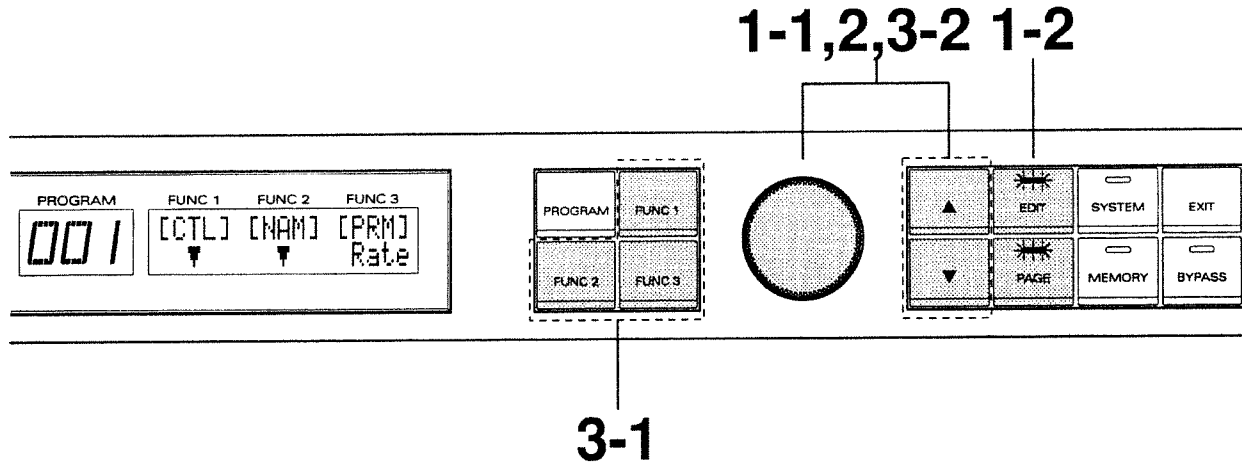
If you wish to have your setting changes stored in memory, carry out the Write Procedure (p.35).

Selecting Parameters Displayed in Top Screen

The SDX-330 allows you to have a specified parameter name (and its value) displayed along with the name of the Effects Program while in the Play mode. Using this feature, you can distinguish among Program Numbers even if they have been given the same name.



(How to Make the Settings)



1. Get into the Parameter Edit mode.

Once in the Parameter Edit mode, you will be able to make changes in the contents that are stored at each Program Number.

** This step is, of course, unnecessary if you are already in the Parameter Edit mode (you were previously making settings for Effects Programs, etc.).*

1-1. Select the Program Number (algorithm) for which you wish to make Control Assign settings.

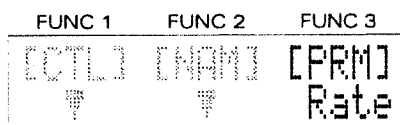
1-2. Press [EDIT].

The indicators on both the EDIT and PAGE buttons will light, showing that you are in the Parameter Edit mode.

2. Select the 'Top Screen' display parameter.

** This step is, of course, not necessary if the parameter is already selected.*

Get the parameter shown below to appear in the display using the ALPHA DIAL or [▲] / [▼].



3. Change the parameter that is to be displayed on the Top Line of the Screen.

3-1. Use [FUNC 1-3] to select what is displayed.

The indicator on the PAGE button will go out, and the parameter name will start flashing. This means that changes in what will be displayed can now be made.

3-2. Change the parameter that will be displayed in the Top Screen using the ALPHA DIAL or [▲] / [▼].

4. When Finished Making Settings

Should you wish to continue, and make settings for other items (Parameter settings, Name, etc.), select each item as required. For details about how to make specific settings, refer to the section explaining the particular item.

If you wish to have your setting changes stored in memory, carry out the Write Procedure (p.35).

(To Cancel Settings You Have Made)

While in the process of making setting changes, you can press [EXIT] to go back to the mode you were in originally. The indicator on the EDIT button will begin flashing.

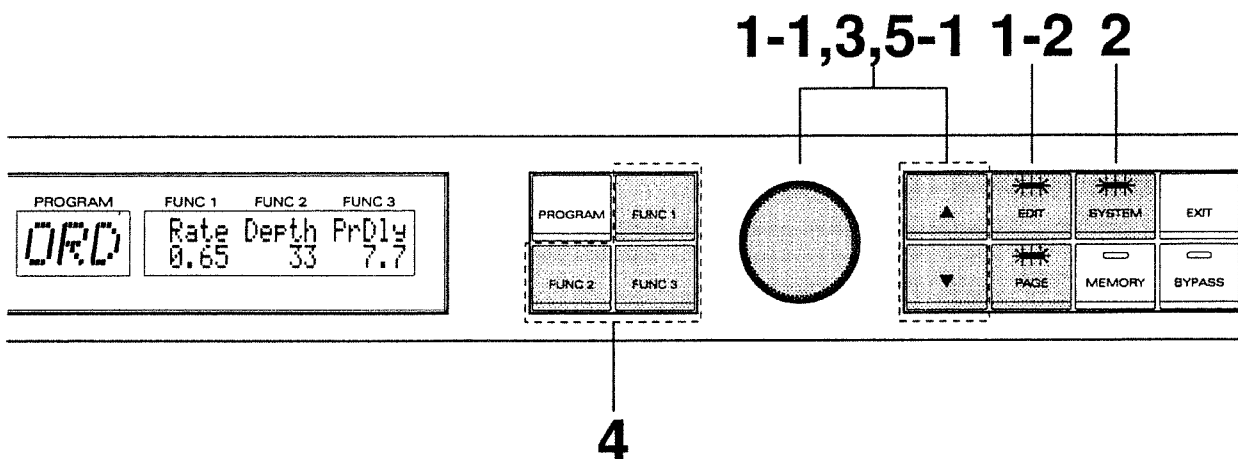
With the EDIT button flashing, you can press [EXIT] or switch to a different Program Number, and the indicator on the EDIT button will go out. At this point, all your temporary settings will revert to their original settings.

If you still haven't pressed [EXIT] (the indicator on the EDIT button is still flashing), you can go back again and continue with your revisions by pressing [EDIT]. The indicator on the EDIT button will light, and you will be back where you were before pressing the EXIT button.

Altering the Order Parameters Are Displayed

The SDX-330 allows you to specify any order for the display of parameters. This conveniently allows you, for example, to have parameters that you adjust often be displayed first.

(How to Make the Settings)



1. Get into the Parameter Edit mode.

Once in the Parameter Edit mode, you will be able to make changes in the contents that are stored at each Program Number.

** This step is, of course, unnecessary if you are already in the Parameter Edit mode (you were previously making settings for Effects Programs, etc.).*

- 1-1. Select the Program Number for which you wish to change the display order.
- 1-2. Press [EDIT].
The indicator on the EDIT button will light, showing that you are in the Parameter Edit mode.

2. Select the mode where the display order can be changed.

Press [SYSTEM].

The indicator on the SYSTEM button will light. You are now in the mode where the display order can be changed.

3. Select the 'display order' parameter.

** This step is, of course, not necessary if the parameter is already selected.*

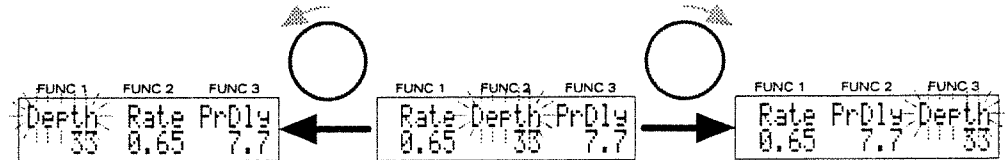
Select the parameter using the ALPHA DIAL or [▲] / [▼].

4. Specify the parameter that you wish to change the order for.

Use [FUNC 1-3] to select the parameter you wish to change.
The indicator on the PAGE button will go out, and the selected parameter will start flashing.

5. Change the display order.

5-1. Move the parameter to the desired position using the ALPHA DIAL or [▲] / [▼].



5-2. If you wish to make changes for any of the other parameters that appear in the display, repeat the above from Step 4.
If you wish to make changes for any other parameters that do not appear in the display, press the PAGE button (so the button indicator lights), and then repeat the above from Step 3.

6. When Finished Making Settings

Press [SYSTEM] to exit the display order setting page.

Should you wish to continue, and make settings for other items (Parameter settings, Control Assign, etc.), select each item as required. For details about how to make specific settings, refer to the section explaining the particular item.

If you wish to have your setting changes stored in memory, carry out the Write Procedure (p.35).

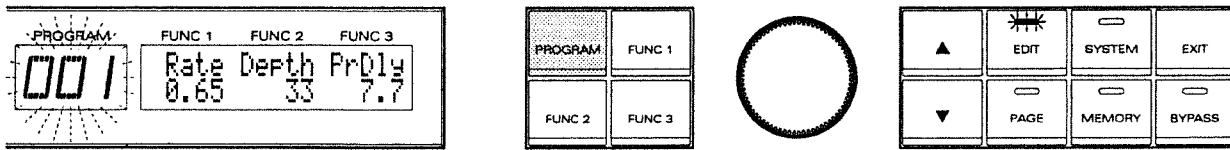
(To Cancel Settings You Have Made)

While in the process of changing the order parameters are displayed, you can press [EXIT] to cancel, and go back to the mode where parameters can be selected.

Comparing Sounds

The SDX-330 allows you to listen to (and thereby compare) the edited and original sounds. It also allows you to make a comparison with sound produced by other Program Numbers.

(How to Make the Settings)

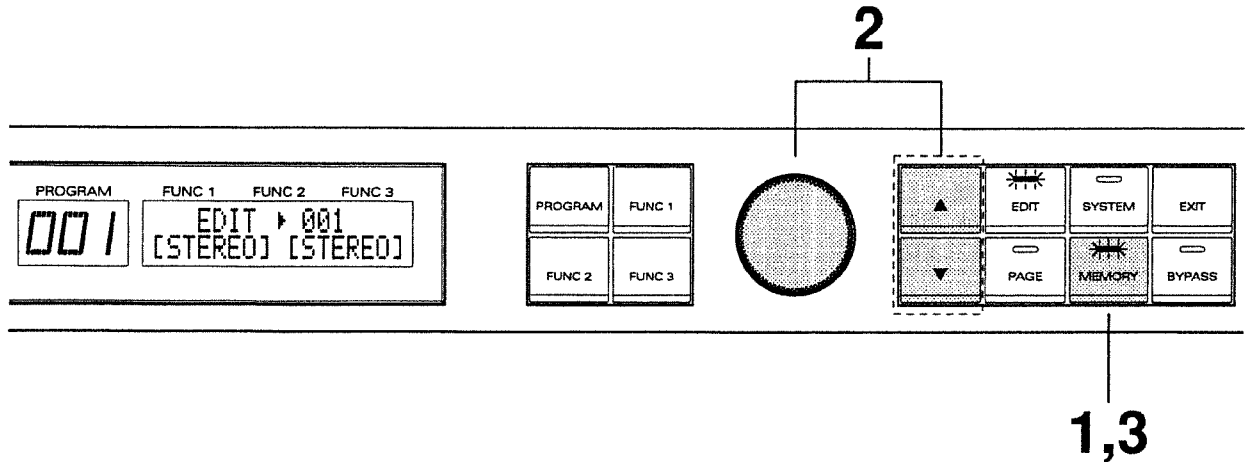


1. From the Parameter Edit mode (where the indicator on the EDIT button is lit), press [PROGRAM].
The Program Number shown in the display will begin flashing, and the unit changes to the sound as it was before you began editing.
2. Press [PROGRAM] again to return to editing.
While the Program Number is flashing, you can use the ALPHA DIAL or the [▲] / [▼] buttons to switch to some other Program Number, allowing you to listen to the sound as it would be produced by an Effects Program other than the one you are working on.

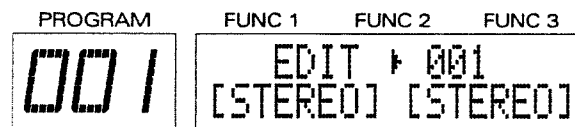
Storing Edited Changes (Write Procedure)

All changes made while in the Parameter Edit mode are only temporary. They will be discarded if you turn the power off, or terminate a procedure by switching to the Play mode. In order to make your changes permanent, they must be stored in memory using the Write Procedure.

(Procedure)



1. After you have completed making all your settings, press [MEMORY]. The indicator on the MEMORY button will light, and the following will appear in the display:



2. Use the ALPHA DIAL or [▲] / [▼] buttons to select the Program Number where you wish to store your settings. Once the target Program Number has been specified, your settings will become the Effects Program stored at that Program Number.



** If you are storing settings back into the same Program Number you do not need to perform the Program Number selection above.*

** Program Numbers 201—300 form the Preset Area. Nothing new can be stored in this area. If you have made changes in the settings for a program from the Preset Area, they must be stored in the User Area (Program Numbers 1—200).*

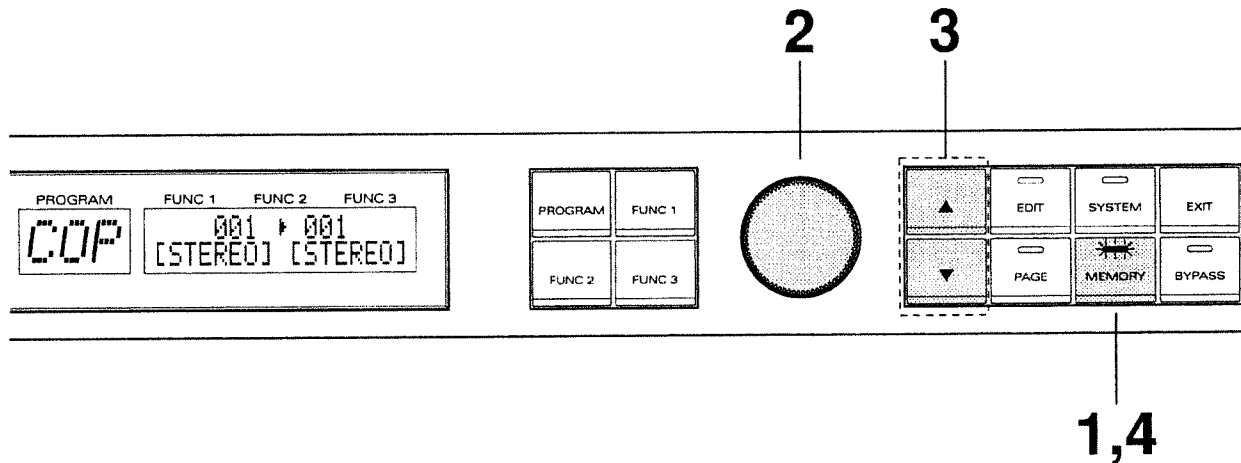
** At this point, you can press [EXIT] to terminate the Write Procedure and return to the mode where setting changes are made.*

3. Press [MEMORY] and your collection of settings will be stored into the Program Number location specified in Step 2. Once the program has been stored successfully, you are returned to the Play mode.

Making Copies

Copies can be made whenever you wish to make a new Effects Program that is similar to an existing one, or when you wish to rearrange the order of Effects Programs. You can also use the copy procedure to copy an Effects Program from the Preset Area into the User Area (where it can then be edited).

(Procedure)



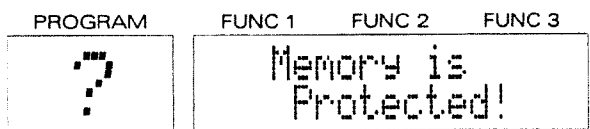
1. Press [MEMORY].
The indicator on the MEMORY button will light, and the following will appear in the display:
- | | | | |
|------------|-----------|----------|----------|
| PROGRAM | FUNC 1 | FUNC 2 | FUNC 3 |
| COP | 001 ▸ 001 | [STEREO] | [STEREO] |
2. Use the ALPHA DIAL to specify the Program Number which contains the material you are going to be copying (the SOURCE).

** If you wish to place the contents of all the Program Numbers with their factory defaults, refer to "Restoring the Factory Default Settings (Initialization)" (p. 86).*
 3. Using [▲]/[▼], select the Program Number where you want the copy to be placed (the DESTINATION).

** At this point, you can press [EXIT] to cancel the copying operation and return to the Play mode.*
 4. Press [MEMORY], and the copy will be performed.
Once the copy has been completed, you are returned to the Play mode.

(If Memory Protect is ON)

When Memory Protect is ON, you will not be able to make any copies. If you press [MEMORY] while Memory Protect is ON, the indicator on the MEMORY button will begin flashing, and the message below will appear in the display:



To continue and make the copy, you must first press [EXIT] to quit the copying procedure, then turn OFF Memory Protect. For details, refer to "Memory Protect" (p. 38).

System Function Settings

The following describes the System Functions available on the SDX-330. These settings allow you to better configure the unit for your needs.

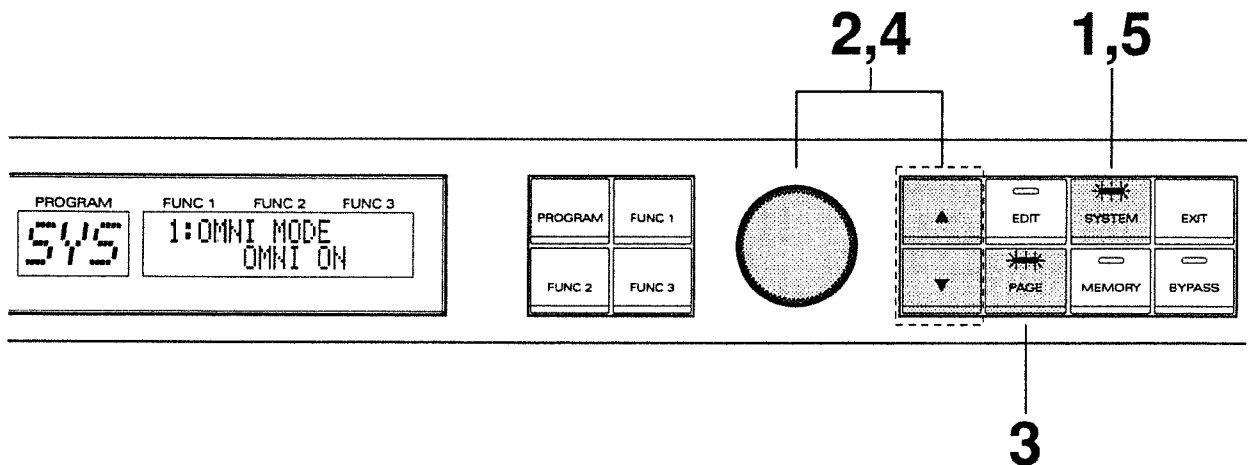
The System Functions are as follows:

- MIDI Omni Mode
- MIDI Reception Channel
- MIDI Transmission Channel
- On/Off Switch for Reception of MIDI Program Change Messages
- On/Off Switch for Transmission of MIDI Expression Pedal Messages
- On/Off of MIDI Soft Thru
- MIDI Program Change Map
- Transmission of Data Using MIDI (Bulk Load)
- Reception of Data Using MIDI (Bulk Dump)
- Memory Protect
- Direct Mix
- Function Selection for Bypass
- Adjustment of Display Contrast

** For information on settings related to MIDI functions, refer to "MIDI System Function Settings" (p.71).*

(Procedure)

You can change the settings for any of the System Functions by carrying out the following steps.

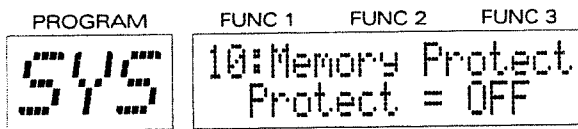


1. Press [SYSTEM] to get into the System mode.
The indicators on both the SYSTEM and PAGE buttons will light.
2. Select the function you wish to make settings for using the ALPHA DIAL or the [▲] / [▼] buttons.
3. Press [PAGE].
The indicator on the PAGE button will go out, and the item that is to be changed will begin to flash.

4. Use the ALPHA DIAL or [▲] / [▼] buttons to make the change in the setting.
** If you press PAGE after making the setting, you will be returned to the place you were in Step 2 (where you can select other settings if needed).*
5. Press [SYSTEM] (or [EXIT]) to return to the Play mode.
 The indicator on the SYSTEM button will go out.

Memory Protect (ON/OFF)

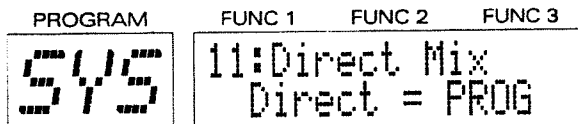
Memory Protect is a switch which serves to protect all the settings you store at the Program Numbers from being accidentally overwritten. Ordinarily it is left ON, but whenever you wish to perform a procedure such as Write or Copy, it needs to be turned OFF.



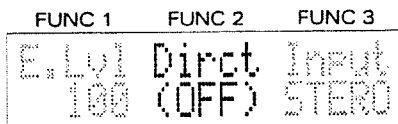
Direct Mix (PROG/ON/OFF)

You can switch the direct sound on (sound is output) or off (no output), regardless of the Program Number that's been selected.

- PROG:** Direct sound is switched on or off according to the setting for the selected Program Number.
- ON:** Direct sound is output, no matter what Program Number has been chosen.
- OFF:** No direct sound is output, no matter what Program Number has been chosen.



** When setting Direct Mix off or on, the Direct Sound On/Off screen shown below is displayed for each Program Number that has been set, and the setting cannot be changed.*



Function Selection for Bypass (BYPASS/MUTE)

The function provided by the Bypass button can be changed:

BYPASS: When Bypass is turned ON, the effect sound is not output; only the direct sound is heard.

MUTE: When Bypass is turned ON, no sound at all will be output from the output jacks.

PROGRAM	FUNC 1	FUNC 2	FUNC 3
SYS	12: BYPASS Key Def MODE = BYPASS		

Adjusting the Display Contrast (0—100)

There may be times (because of poor lighting conditions, unit location etc.) when the display is difficult to read. To improve readability, adjust the display contrast.

PROGRAM	FUNC 1	FUNC 2	FUNC 3
SYS	13: LCD Contrast CONTRAST = 70		

MEMO



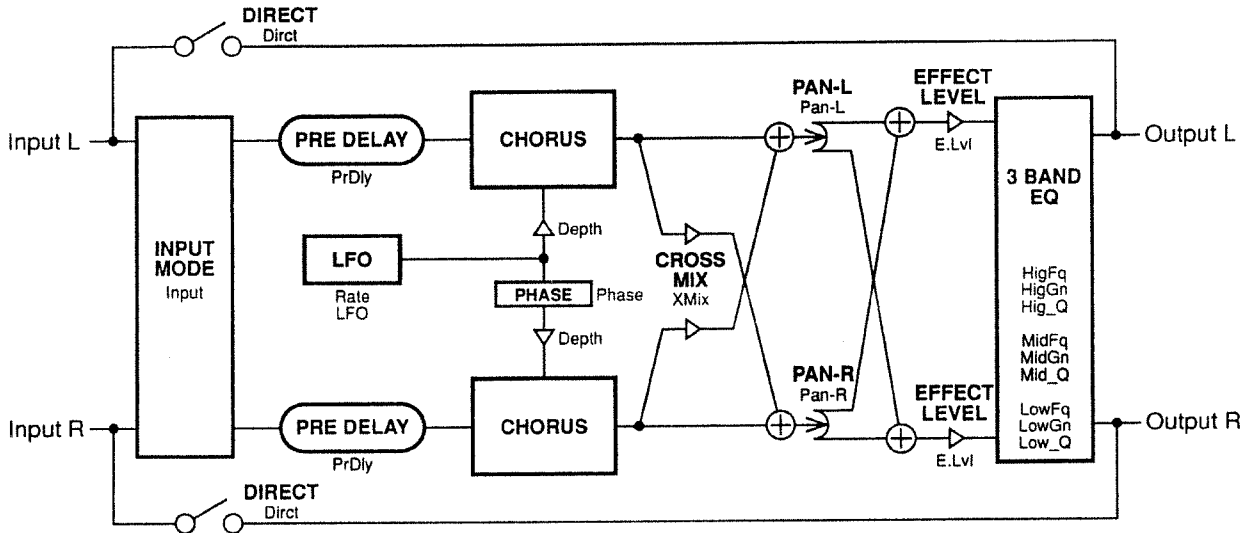
ALGORITHM STRUCTURE

An algorithm determines the combination of effects and the parameters that make up the effects. This chapter explains what each algorithm is all about.

1: Stereo Chorus

This is a true stereo chorus algorithm (stereo input and output). The phase of the LFO and orientation between the left and right channels can be selected.

BLOCK DIAGRAM



PARAMETERS

Rate	Rate	0.01	40.00 Hz
Depth	Depth	0	100
PrDly	Pre Delay	0.0	200.0 ms
LFO	LFO Waveform	(TRI/SIN)	
Phase	Phase	0	360 deg
XMix	Cross Mix	0	100
Pan-L	Lch Pan	100:0	0:100
Pan-R	Rch Pan	100:0	0:100
E.Lvl	Effect Level	0	100
Dirct	Direct	(ON/OFF)	
Input	Input Mode	(STEREO/MONO)	

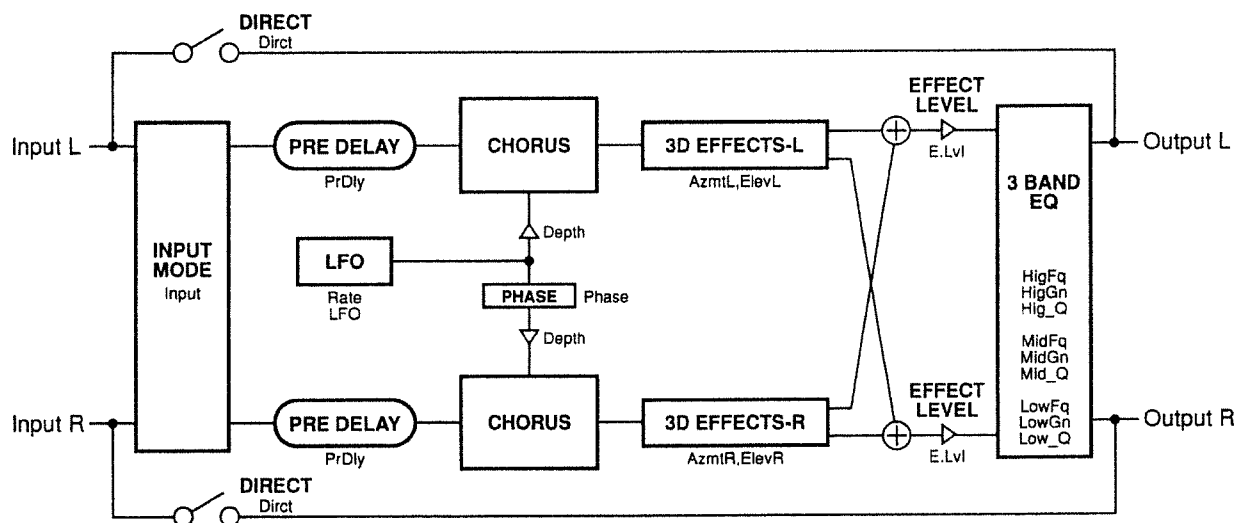
EQUALIZER (Refer to P.58 "Common Parameters".)

CONTROL ASSIGN (Refer to P.58 "Common Parameters".)

2: Stereo 3D Chorus

This is an enhanced stereo chorus algorithm (stereo input and output). Separate "3D Effects" parameters for the left and right channels create an unusually broad chorus effect.

BLOCK DIAGRAM



PARAMETERS

Rate	Rate	0.01	40.00 Hz
Depth	Depth	0	100
PrDly	Pre Delay	0.0	200.0 ms
LFO	LFO Waveform	(TRI/SIN)	
Phase	Phase	0	360 deg
AzmtL	Lch Azimuth	R180	L180
ElevL	Lch Elevation	-60	+60
AzmtR	Rch Azimuth	R180	L180
ElevR	Rch Elevation	-60	+60
E.Lvl	Effect Level	0	100
Direct	Direct	(ON/OFF)	
Input	Input Mode	(STERO/MONO)	

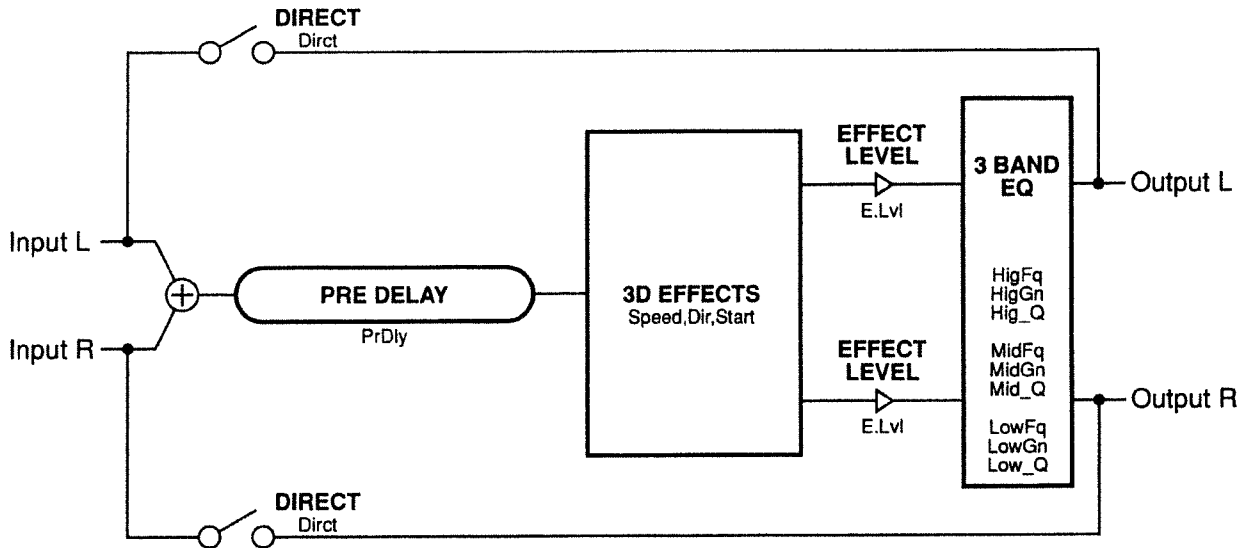
EQUALIZER (Refer to P.58 "Common Parameters".)

CONTROL ASSIGN (Refer to P.58 "Common Parameters".)

3: 3D Panner

This algorithm uses the "3D Effects" parameters to obtain a sound that seems to move around the listener.

BLOCK DIAGRAM



PARAMETERS

Speed	Speed	1	10
Dir	Direction	(CW/CCW)	
Start	Start Position	L180	R180
PrDly	Pre Delay	0.0	200.0 ms
E.Lvl	Effect Level	0	100
Dirct	Direct	(ON/OFF)	

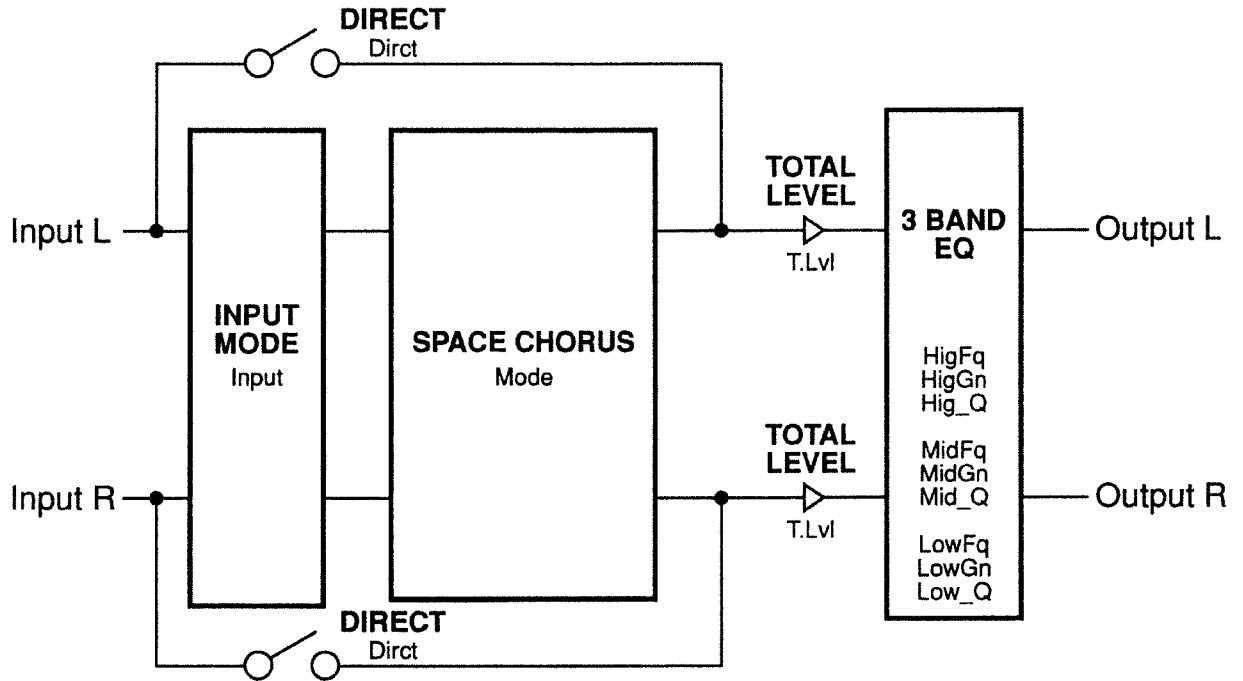
EQUALIZER (Refer to P.58 "Common Parameters".)

CONTROL ASSIGN (Refer to P.58 "Common Parameters".)

4: Space Chorus

This algorithm recreates effects from Roland's renowned SDD-320 Dimension D, producing a wider effect than standard chorus.

BLOCK DIAGRAM



PARAMETERS

Mode	Space Mode	(1/2/3/4/1+4/2+4/3+4)
Dirct	Direct	(ON/OFF)
T.Lvl	Total Level	0 100
Input	Input Mode	(STERO/MONO)

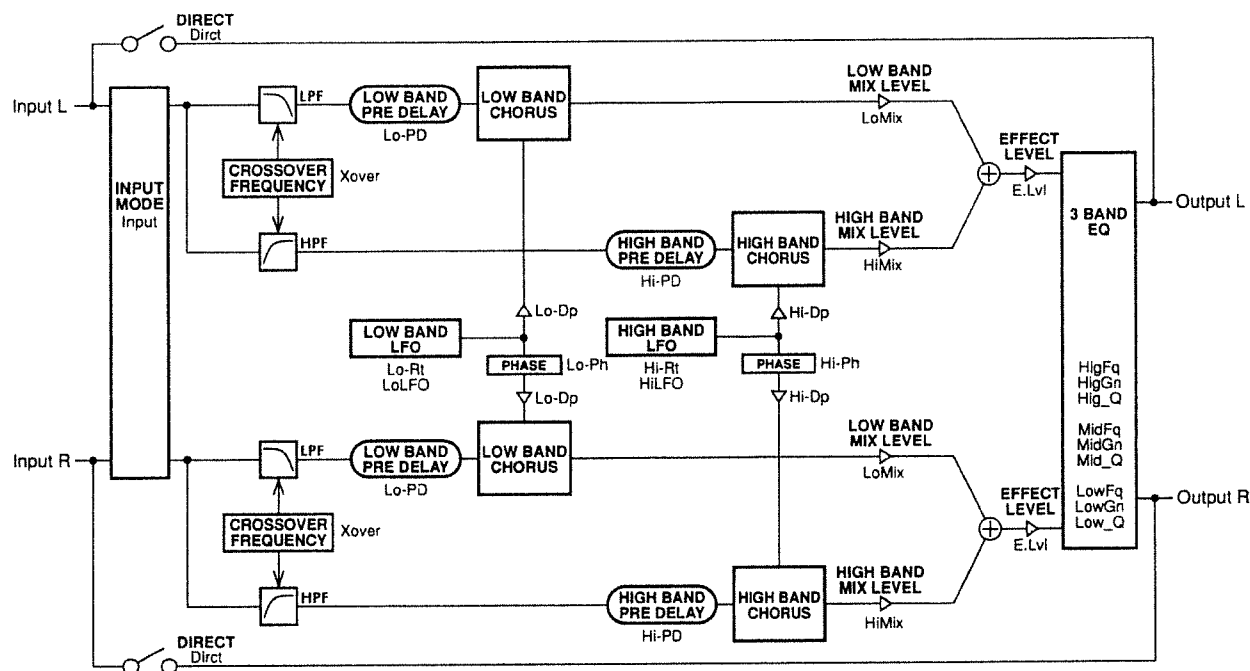
EQUALIZER (Refer to P.58 "Common Parameters".)

CONTROL ASSIGN (Refer to P.58 "Common Parameters".)

5: 2 Band Chorus

This algorithm is a two-band stereo chorus (stereo input and output). The frequency components of the direct sound can be split into two bands, with different settings for each. Applying less chorus to the lower end makes for a clear sound, even with vocals or bass.

BLOCK DIAGRAM



PARAMETERS

Low Band Chorus

Lo-Rt	Rate	0.01	40.00 Hz
Lo-Dp	Depth	0	100
Lo-PD	Pre Delay	0.0	200.0 ms
LoLFO	LFO Waveform	(TRI/SIN)	
Lo-Ph	Phase	0	360 deg
LoMix	Mix Level	0	120

High Band Chorus

Hi-Rt	Rate	0.01	40.00 Hz
Hi-Dp	Depth	0	100
Hi-PD	Pre Delay	0.0	200.0 ms
HiLFO	LFO Waveform	(TRI/SIN)	
Hi-Ph	Phase	0	360 deg
HiMix	Mix Level	0	120

Xover	Crossover Frequency	400	4.00k Hz
-------	---------------------	-----	----------

E.Lvl	Effect Level	0	100
-------	--------------	---	-----

Dirct	Direct	(ON/OFF)	
-------	--------	----------	--

Input	Input Mode	(STEREO/MONO)	
-------	------------	---------------	--

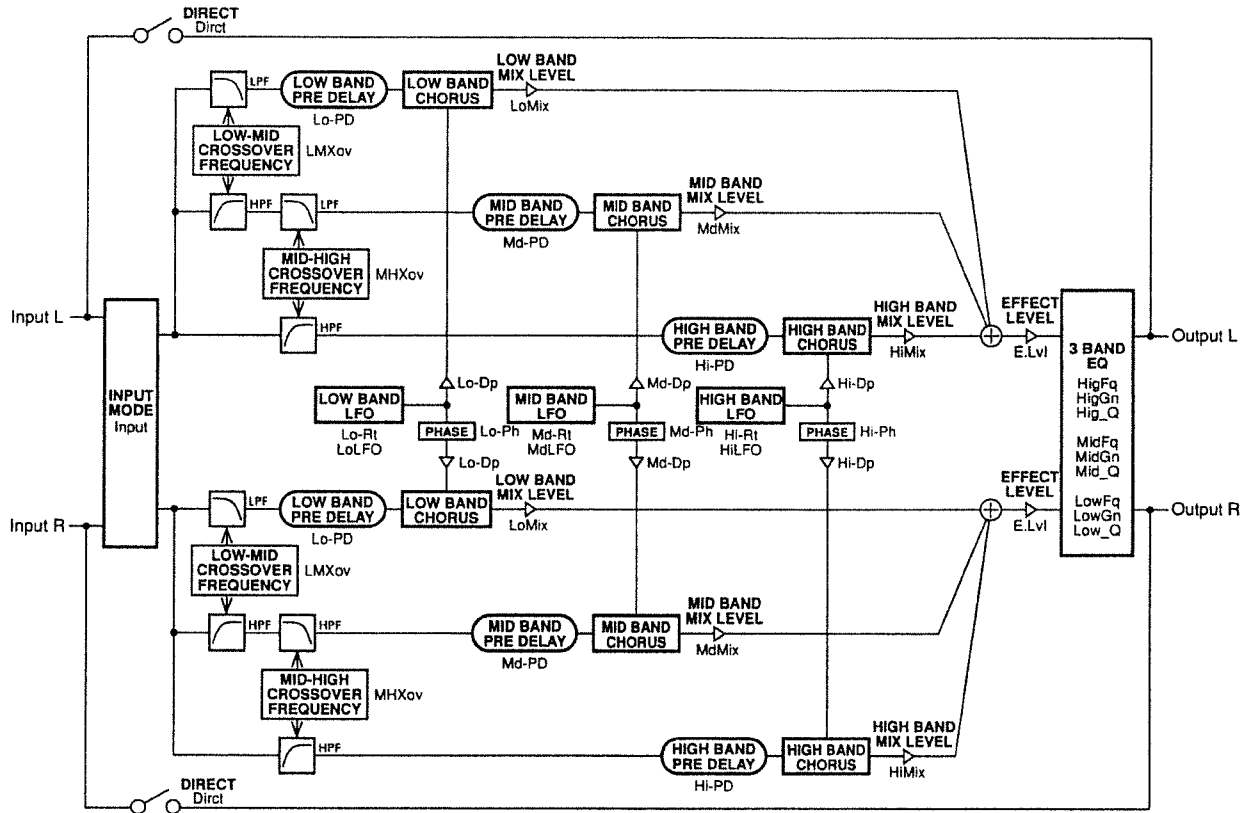
EQUALIZER (Refer to P.58 "Common Parameters".)

CONTROL ASSIGN (Refer to P.58 "Common Parameters".)

6: 3 Band Chorus

This algorithm is a three-band stereo chorus (stereo input and output). The frequency components of the direct sound can be split into three bands, with different settings for each. The "Crossover Frequency" parameter can be used to select the frequencies for each band.

BLOCK DIAGRAM



PARAMETERS

Low Band Chorus

Lo-Rt	Rate	0.01	40.00 Hz
Lo-Dp	Depth	0	100
Lo-PD	Pre Delay	0.0	200.0 ms
LoLFO	LFO Waveform	(TRI/SIN)	
Lo-Ph	Phase	0	360 deg
LoMix	Mix Level	0	120

Middle Band Chorus

Md-Rt	Rate	0.01	40.00 Hz
Md-Dp	Depth	0	100
Md-PD	Pre Delay	0.0	200.0 ms
MdLFO	LFO Waveform	(TRI/SIN)	
Md-Ph	Phase	0	360 deg
MdMix	Mix Level	0	120

High Band Chorus

Hi-Rt	Rate	0.01	40.00 Hz
Hi-Dp	Depth	0	100
Hi-PD	Pre Delay	0.0	200.0 ms
HiLFO	LFO Waveform	(TRI/SIN)	
Hi-Ph	Phase	0	360 deg
HiMix	Mix Level	0	120

LMXov	Low/Middle Crossover Frequency	100	1.00k Hz
MHXov	Middle/High Crossover Frequency	800	8.00k Hz

E.Lvl	Effect Level	0	100
Dirct	Direct	(ON/OFF)	
Input	Input Mode	(STERO/MONO)	

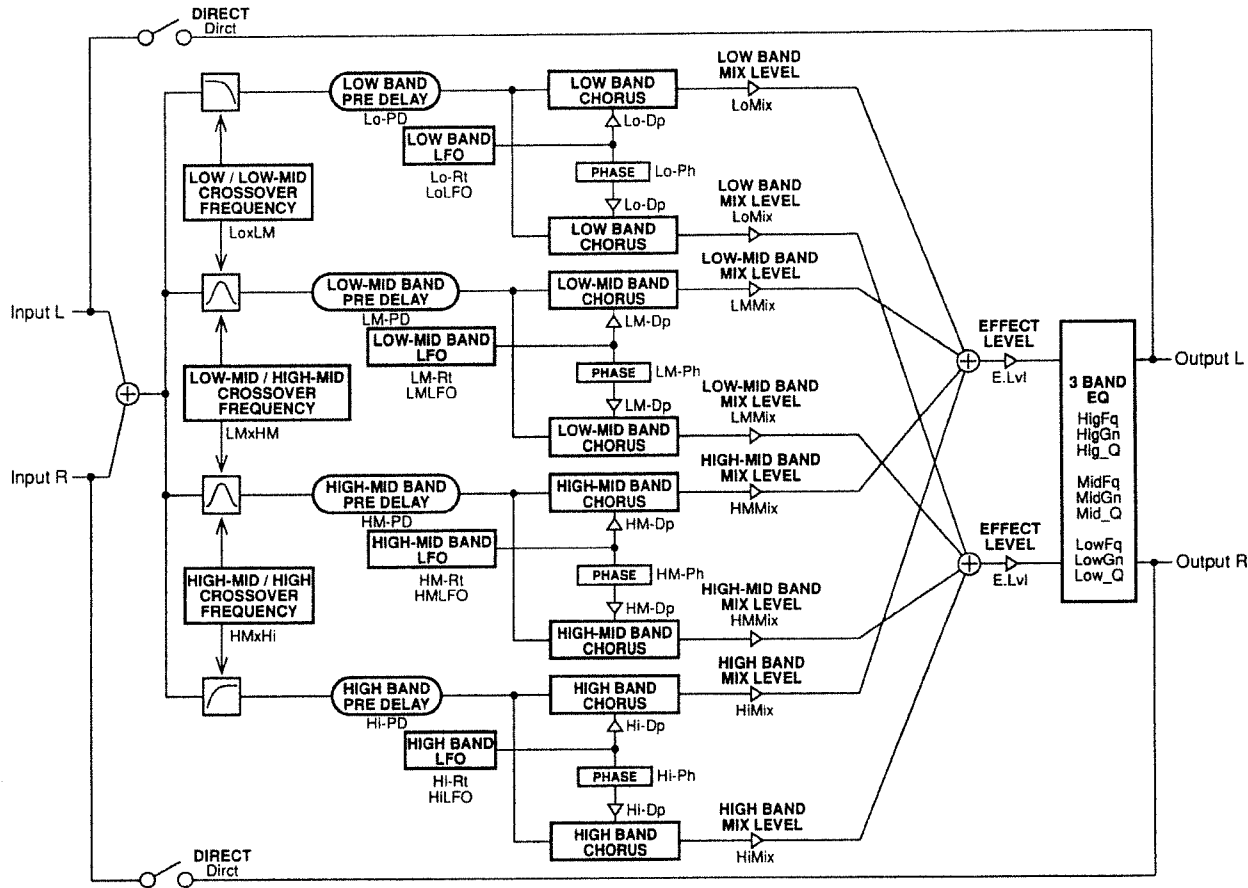
EQUALIZER (Refer to P.58 "Common Parameters".)

CONTROL ASSIGN (Refer to P.58 "Common Parameters".)

7: 4 Band Chorus

This algorithm is a four-band chorus with monaural input and stereo output. All parameters can be set independently for each band. You can use the "Crossover Frequency" parameter to select the frequencies for each band. This chorus works well with vocals and a wide range of different instruments.

BLOCK DIAGRAM



PARAMETERS

Low Band Chorus

Lo-Rt	Rate	0.01	40.00 Hz
Lo-Dp	Depth	0	100
Lo-PD	Pre Delay	0.0	200.0 ms
LoLFO	LFO Waveform	(TRI/SIN)	
Lo-Ph	Phase	0	360 deg
LoMix	Mix Level	0	120

Low-Middle Band Chorus

LM-Rt	Rate	0.01	40.00 Hz
LM-Dp	Depth	0	100
LM-PD	Pre Delay	0.0	200.0 ms
LMLFO	LFO Waveform	(TRI/SIN)	
LM-Ph	Phase	0	360 deg
LMMix	Mix Level	0	120

High-Middle Band Chorus

HM-Rt	Rate	0.01	40.00 Hz
HM-Dp	Depth	0	100
HM-PD	Pre Delay	0.0	200.0 ms
HMLFO	LFO Waveform	(TRI/SIN)	
HM-Ph	Phase	0	360 deg
HMMix	Mix Level	0	120

High Band Chorus

Hi-Rt	Rate	0.01	40.00 Hz
Hi-Dp	Depth	0	100
Hi-PD	Pre Delay	0.0	200.0 ms
HiLFO	LFO Waveform	(TRI/SIN)	
Hi-Ph	Phase	0	360 deg
HiMix	Mix Level	0	120

LoxLM	Low/Low-Middle Crossover Frequency	100	1.00k Hz
LMxHM	Low-Middle/High-Middle Crossover Frequency	400	4.00k Hz
HMxHi	High-Middle/High Crossover Frequency	800	8.00k Hz

E.Lvl	Effect Level	0	100
Direct	Direct	(ON/OFF)	

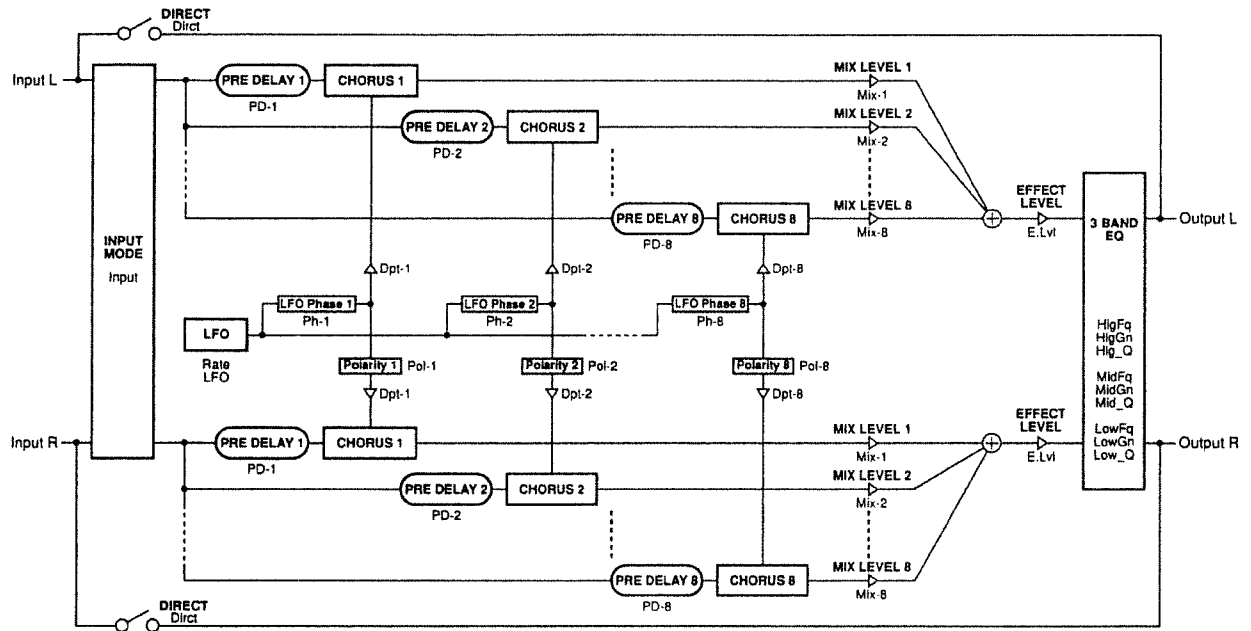
EQUALIZER (Refer to P.58 "Common Parameters".)

CONTROL ASSIGN (Refer to P.58 "Common Parameters".)

8: Stereo 8 Phase Chorus

This algorithm is an eight-phase stereo chorus (stereo input and output). You can use the "Mix Level" parameter to set the number of choruses to use.

BLOCK DIAGRAM



PARAMETERS

Rate	Rate	0.01	40.00 Hz	Pol-1	Polarity 1	(NORML/INV)	
LFO	LFO Waveform	(TRI/SIN)		Pol-2	Polarity 2	(NORML/INV)	
Dpt-1	Depth 1	0	100	Pol-3	Polarity 3	(NORML/INV)	
Dpt-2	Depth 2	0	100	Pol-4	Polarity 4	(NORML/INV)	
Dpt-3	Depth 3	0	100	Pol-5	Polarity 5	(NORML/INV)	
Dpt-4	Depth 4	0	100	Pol-6	Polarity 6	(NORML/INV)	
Dpt-5	Depth 5	0	100	Pol-7	Polarity 7	(NORML/INV)	
Dpt-6	Depth 6	0	100	Pol-8	Polarity 8	(NORML/INV)	
Dpt-7	Depth 7	0	100	Mix-1	Mix Level 1	0	100
Dpt-8	Depth 8	0	100	Mix-2	Mix Level 2	0	100
PD-1	Pre Delay 1	0.0	60.0 ms	Mix-3	Mix Level 3	0	100
PD-2	Pre Delay 2	0.0	60.0 ms	Mix-4	Mix Level 4	0	100
PD-3	Pre Delay 3	0.0	60.0 ms	Mix-5	Mix Level 5	0	100
PD-4	Pre Delay 4	0.0	60.0 ms	Mix-6	Mix Level 6	0	100
PD-5	Pre Delay 5	0.0	60.0 ms	Mix-7	Mix Level 7	0	100
PD-6	Pre Delay 6	0.0	60.0 ms	Mix-8	Mix Level 8	0	100
PD-7	Pre Delay 7	0.0	60.0 ms	E.Lvl	Effect Level	0	100
PD-8	Pre Delay 8	0.0	60.0 ms	Dirct	Direct	(ON/OFF)	
Ph-1	LFO Phase 1	0	360 deg	Input	Input Mode	(STEREO/MONO)	
Ph-2	LFO Phase 2	0	360 deg				
Ph-3	LFO Phase 3	0	360 deg				
Ph-4	LFO Phase 4	0	360 deg				
Ph-5	LFO Phase 5	0	360 deg				
Ph-6	LFO Phase 6	0	360 deg				
Ph-7	LFO Phase 7	0	360 deg				
Ph-8	LFO Phase 8	0	360 deg				

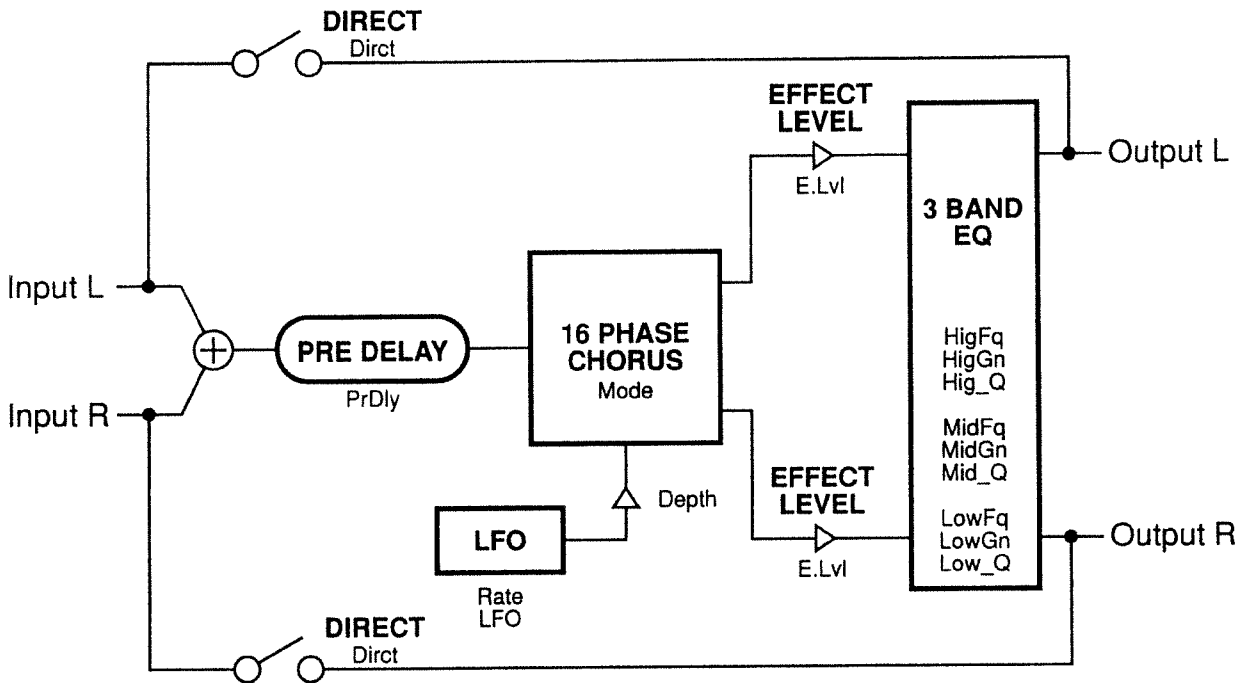
EQUALIZER (Refer to P.58 "Common Parameters".)

CONTROL ASSIGN (Refer to P.58 "Common Parameters".)

9: 16 Phase Chorus

This algorithm is a 16-phase chorus with monaural input and output, and it can be used to obtain a thick, heavy chorus effect. Six types are available.

BLOCK DIAGRAM



PARAMETERS

Mode	Mode	(1/2/3/4/5/6)	
Rate	Rate	0.01	40.00 Hz
Depth	Depth	0	100
PrDly	Pre Delay	0.0	200.0 ms
LFO	LFO Waveform	(TRI/SIN)	
E.Lvl	Effect Level	0	100
Direct	Direct	(ON/OFF)	

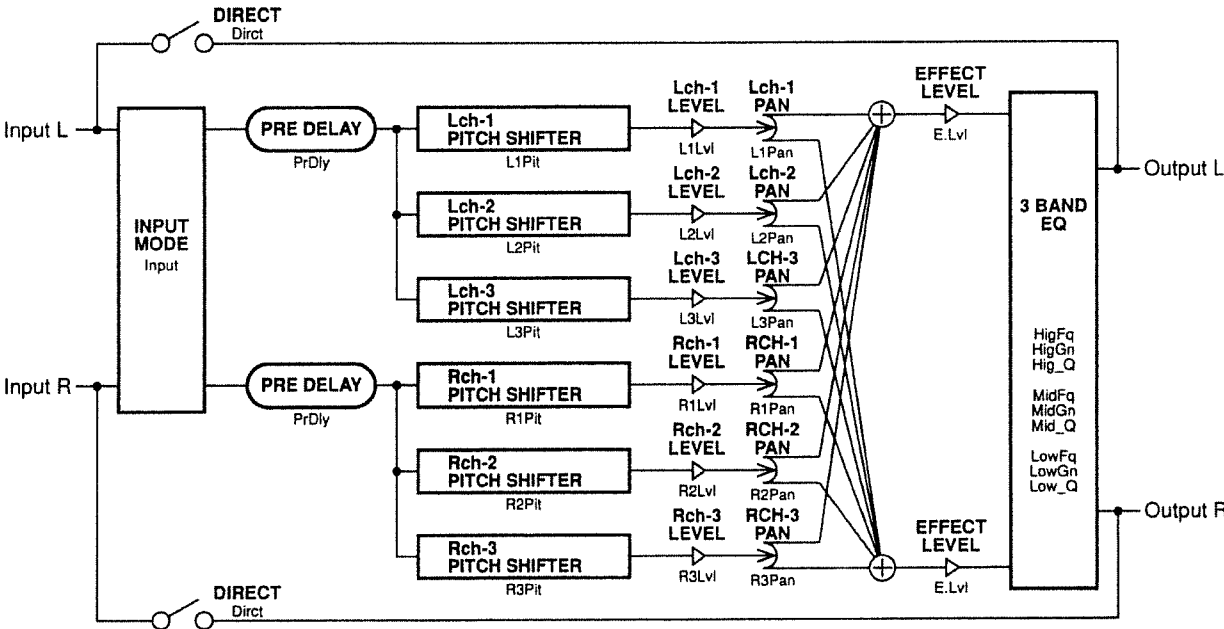
EQUALIZER (Refer to P.58 "Common Parameters".)

CONTROL ASSIGN (Refer to P.58 "Common Parameters".)

10: Detune Chorus

Up to six pitch shifters can be used to obtain a chorus effect that adds a subtly shifted sound to the direct sound. One special characteristic of this algorithm is its subdued tremble range.

BLOCK DIAGRAM



PARAMETERS

Pitch_Lch_1				
L1Pit	Pitch	-100	100	
L1Pan	Pan	100:0	0:100	
L1Lvl	Mix Level	0	100	
Pitch_Lch_2				
L2Pit	Pitch	-100	100	
L2Pan	Pan	100:0	0:100	
L2Lvl	Mix Level	0	100	
Pitch_Lch_3				
L3Pit	Pitch	-100	100	
L3Pan	Pan	100:0	0:100	
L3Lvl	Mix Level	0	100	
Pitch_Rch_1				
R1Pit	Pitch	-100	100	
R1Pan	Pan	100:0	0:100	
R1Lvl	Mix Level	0	100	
Pitch_Rch_2				
R2Pit	Pitch	-100	100	
R2Pan	Pan	100:0	0:100	
R2Lvl	Mix Level	0	100	
Pitch_Rch_3				
R3Pit	Pitch	-100	100	
R3Pan	Pan	100:0	0:100	
R3Lvl	Mix Level	0	100	
PrDly	Pre Delay	0.0	200.0 ms	

E.Lvl	Effect Level	0	100
Dirct	Direct	(ON/OFF)	
Input	Input Mode	(STEREO/MONO)	

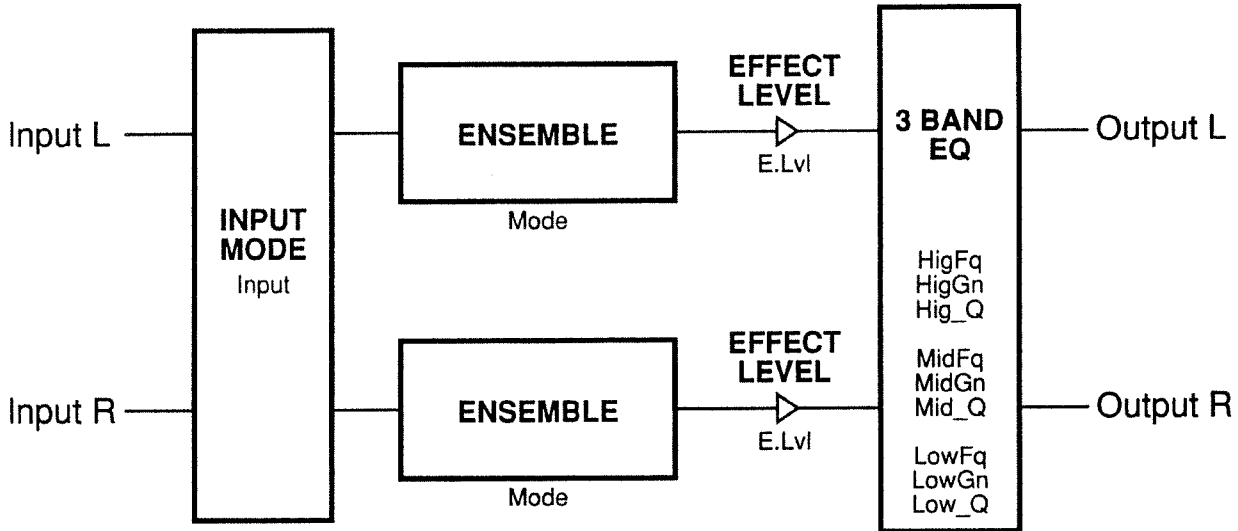
EQUALIZER (Refer to P.58 "Common Parameters".)

CONTROL ASSIGN (Refer to P.58 "Common Parameters".)

11: Ensemble

This algorithm uses two LFOs of different speeds to create a chorus effect. Reverberations can be obtained, making it effective for string sounds.

BLOCK DIAGRAM



PARAMETERS

Mode	Mode	(1/2/3/4/5/6)
E.Lvl	Effect Level	0 100
Input	Input Mode	(STERO/MONO)

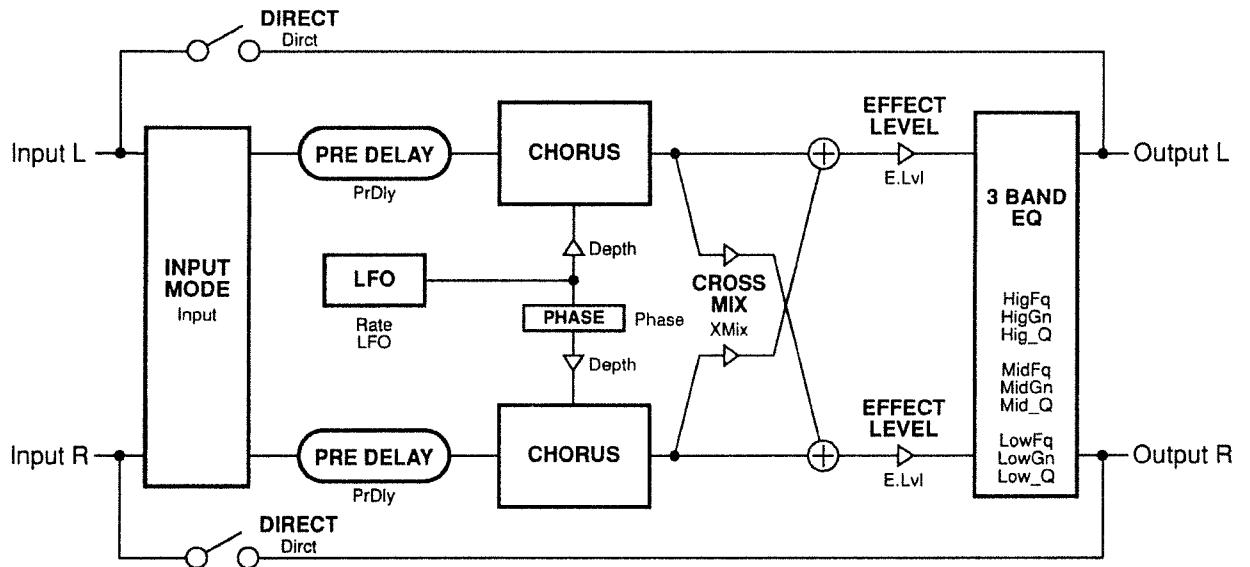
EQUALIZER (Refer to P.58 "Common Parameters".)

CONTROL ASSIGN (Refer to P.58 "Common Parameters".)

12: Wave Chorus

This chorus uses six different LFO waveforms.

BLOCK DIAGRAM



PARAMETERS

LFO	LFO Waveform	(TRI/SIN/EXP/OCW1/OCW2/OCW3)	
Rate	Rate	0.01	40.00 Hz
Depth	Depth	0	100
PrDly	Pre Delay	0.0	200.0 ms
Phase	Phase	0	360 deg
XMix	Cross Mix	0	100
E.Lvl	Effect Level	0	100
Dirct	Direct	(ON/OFF)	
Input	Input Mode	(STERO/MONO)	

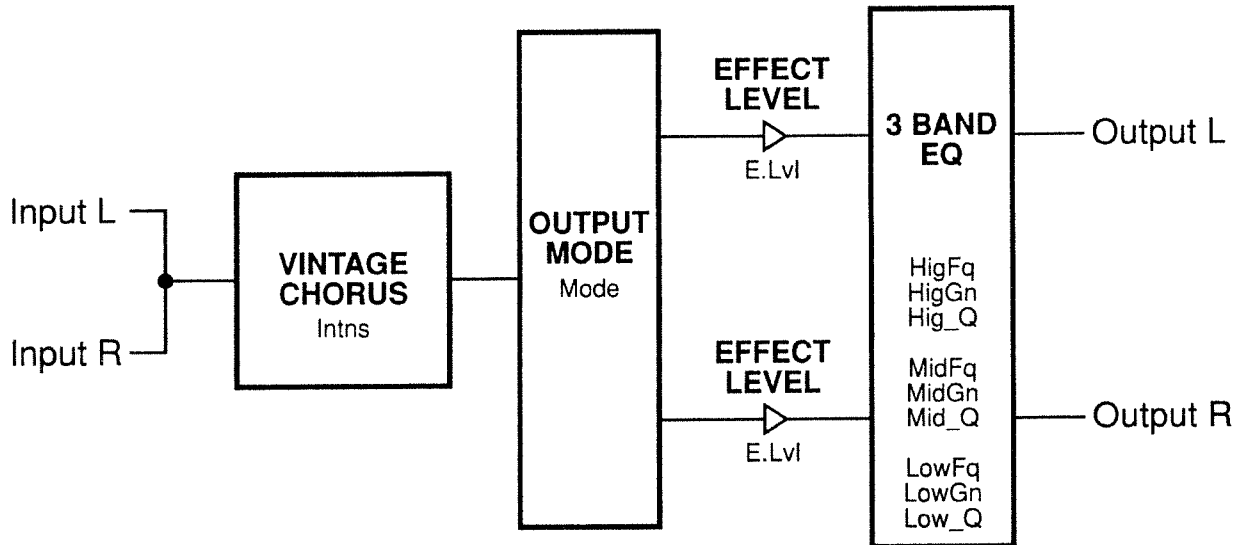
EQUALIZER (Refer to P.58 "Common Parameters".)

CONTROL ASSIGN (Refer to P.58 "Common Parameters".)

13: Vintage Chorus

This algorithm simulates a vintage analog chorus — the first chorus effect ever created.

BLOCK DIAGRAM



PARAMETERS

Intns	Intensity	0	100
Mode	Output Mode	(1/2/3/4)	
E.Lvl	Effect Level	0	100

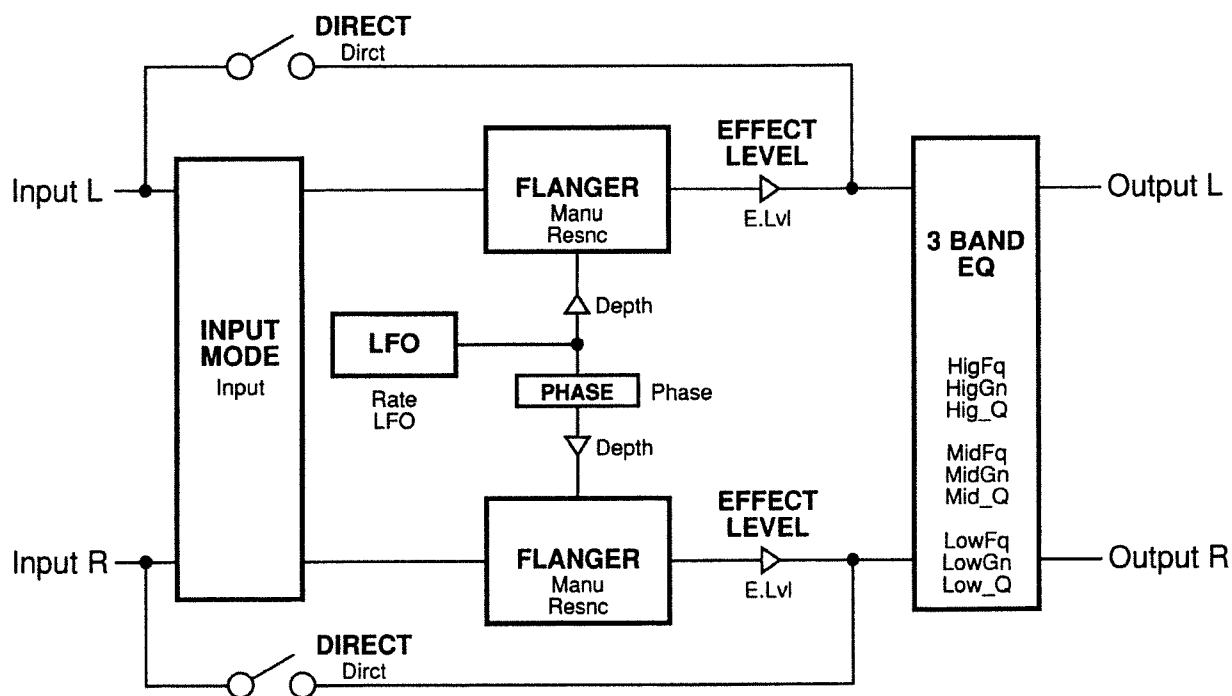
EQUALIZER (Refer to P.58 "Common Parameters".)

CONTROL ASSIGN (Refer to P.58 "Common Parameters".)

14: Stereo Flanger

This stereo flanger (stereo input and output) uses five different waveforms.

BLOCK DIAGRAM



PARAMETERS

Rate	Rate	0.01	40.00 Hz
Depth	Depth	0	100
Manu	Manual	0	100
Resnc	Resonance	-100	100
LFO	LFO Waveform	(TRI/SIN/EXP/OFW1/OFW2)	
Phase	Phase	0	360 deg
E.Lvl	Effect Level	0	100
Dirct	Direct	(ON/OFF)	
Input	Input Mode	(STERO/MONO)	

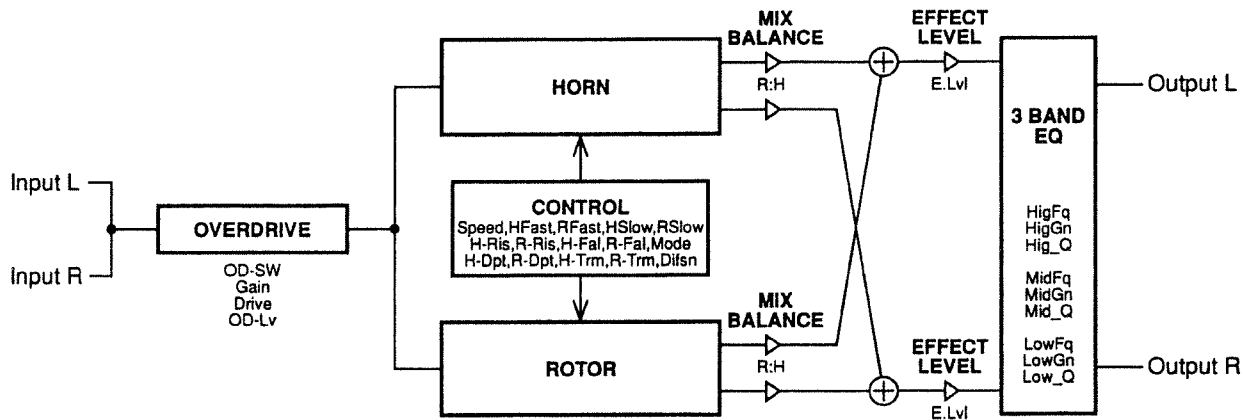
EQUALIZER (Refer to P.58 "Common Parameters".)

CONTROL ASSIGN (Refer to P.58 "Common Parameters".)

15: Rotary

This algorithm simulates the effect produced by rotary speakers. You can control the depth of modulation, as well as turning the mic on and off. You can also adjust the changes in speed when the controller is used for switching rotor speed.

BLOCK DIAGRAM



PARAMETERS

Speed	Speed Select	(SLOW/FAST)	
HFast	Horn <fast>	5.00	10.00 Hz
RFast	Rotor <fast>	5.00	10.00 Hz
HSlow	Horn <slow>	0.05	5.00 Hz
RSlow	Rotor <slow>	0.05	5.00 Hz
H-Rls	Rise Time; Horn	1	100
R-Rls	Rise Time; Rotor	1	100
H-Fal	Fall Time; Horn	1	100
R-Fal	Fall Time; Rotor	1	100
R:H	Mix Balance	90:10	10:90
Mode	Mic Setting Mode (OfMic/OnMic)		
H-Dpt	Horn Depth	0	100
R-Dpt	Rotor Depth	0	100
H-Trm	Horn Tremolo	0	100
R-Trm	Rotor Tremolo	0	100
OD-SW	Overdrive On/Off	(ON/OFF)	
Gain	Overdrive Gain	0	100 or <••••>
Drive	Overdrive Drive	1	100 or <••••>
OD-Lv	Overdrive Level	0	100 or <••••>
Difsn	Diffusion	0	100
E.Lvl	Effect Level	0	100

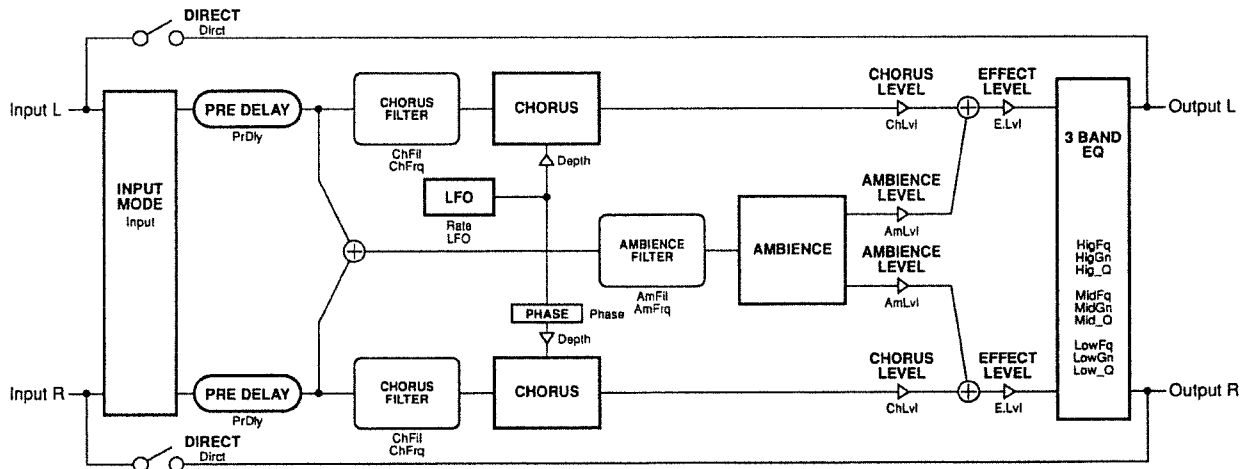
EQUALIZER (Refer to P.58 "Common Parameters".)

CONTROL ASSIGN (Refer to P.58 "Common Parameters".)

16: Ambience Chorus

This algorithm adds ambience to the chorus making an even deeper effect. "Ambience" is produced when recording with a distant mic. Doing so adds spatial depth to the sound.

BLOCK DIAGRAM



PARAMETERS

Rate	Rate	0.01	40.00 Hz
Depth	Depth	0	100
PrDly	Pre Delay	0.0	200.0 ms
LFO	LFO Waveform	(TRI/SIN)	
Phase	Phase	0	360 deg
ChFil	Chorus Filter	(OFF/LPF/HPF)	
ChFrq	Chorus Cutoff Frequency	100	10.0k Hz or <••••>
ChLvl	Chorus Level	0	100
AmDcy	Ambience Decay	1	30
AmDmp	Ambience HF Damp	-100	0
AmDns	Ambience Density	0	100
AmFil	Ambience Filter	(OFF/LPF/HPF)	
AmFrq	Ambience Cutoff Frequency	100	10.0k Hz or <••••>
AmLvl	Ambience Level	0	100
E.Lvl	Effect Level	0	100
Dirct	Direct	(ON/OFF)	
Input	Input Mode	(STERO/MONO)	

EQUALIZER (Refer to P.58 "Common Parameters".)

CONTROL ASSIGN (Refer to P.58 "Common Parameters".)

Common Parameters

The two groups of parameters shown below are parameters shared by all of the algorithms.

EQUALIZER

LowFq	Low EQ Frequency	20	2.00k Hz
LowGn	Low EQ Gain	-12.0	+12.0 dB
Low_Q	Low EQ Q	SHELV,0.3to10.0	
MidFq	Middle EQ Frequency	200	8.00k Hz
MidGn	Middle EQ Gain	-12.0	+12.0 dB
Mid_Q	Middle EQ Q	0.3	10.0
HigFq	High EQ Frequency	1.50k	20.0k Hz
HigGn	High EQ Gain	-12.0	+12.0 dB
Hig_Q	High EQ Q	SHELV,0.3to10.0	

CONTROL ASSIGN

C1Src	Control Assign 1 Source
C1Mod	Control Assign 1 Mode
C1Trg	Control Assign 1 Target Parameter
C1Min	Control Assign 1 Min value
C1Max	Control Assign 1 Max Value
C2Src	Control Assign 2 Source
C2Mod	Control Assign 2 Mode
C2Trg	Control Assign 2 Target Parameter
C2Min	Control Assign 2 Min value
C2Max	Control Assign 2 Max Value
C3Src	Control Assign 3 Source
C3Mod	Control Assign 3 Mode
C3Trg	Control Assign 3 Target Parameter
C3Min	Control Assign 3 Min value
C3Max	Control Assign 3 Max Value
C4Src	Control Assign 4 Source
C4Mod	Control Assign 4 Mode
C4Trg	Control Assign 4 Target Parameter
C4Min	Control Assign 4 Min value
C4Max	Control Assign 4 Max Value
C5Src	Control Assign 5 Source
C5Mod	Control Assign 5 Mode
C5Trg	Control Assign 5 Target Parameter
C5Min	Control Assign 5 Min value
C5Max	Control Assign 5 Max Value



HOW THE PARAMETERS FUNCTION

This chapter describes the functions of the parameters that make up the algorithms.

The parameters used in the effects vary from one algorithm to another. For details, check out "Algorithm Structure."

3D EFFECTS

These effects, created with the technical expertise developed for the RSS (Roland Sound Space) System, let you orient the sonic image at a position above, below, or to one side of the listener. The position of the sound is determined by the Azimuth and Elevation settings.

Azimuth

This parameter moves the sound horizontally along the perimeter of an imaginary sphere. The setting can be made within a range of about 180 degrees to the left or right, with the standard setting ("0") indicating a position directly in front of the listener.

Elevation

This parameter moves the sound vertically along the perimeter of an imaginary sphere. The setting can be made within a range of about 60 degrees up or down, with the standard setting ("0") indicating a position directly in front of the listener.

3D PANNER

This parameter uses 3D Effects to create the illusion whereby the sound seems to revolve around the listener.

Speed

This parameter adjusts the rotational speed of the sound.

Direction

This parameter selects the sound's direction of rotation.

- Clockwise: Rotates the sound clockwise.
- Counterclockwise: Rotates the sound counterclockwise.

Start Position

The rotation of the 3D Panner starts when the Program Number used by the 3D panner is selected. This lets you specify the position of the sound when the 3D panner begins to turn.

Pre Delay

This parameter adjusts the length of time before the effect sound is output.

CHORUS

This parameter takes the direct sound and adds an effect that subtly shifts the pitch of the sound, making it "thicker" and "fatter."

Rate

This adjusts the speed of the chorus effect.

Depth







This adjusts the depth of the chorus effect.

Pre Delay

This parameter adjusts the length of time before the effect sound is heard. Increasing this time creates a "doubling effect," like several instruments playing in unison.

LFO Waveform

This parameter selects the waveform of the LFO (low-frequency oscillator) that produces the change in chorus.

Tri	:	
Sin	:	
Exp	:	
OCW1	:	
OCW2	:	
OCW3	:	

Phase

This parameter adjusts the difference in the phase of the LFO between the left and right channels. The two channels are perfectly in phase at a value of "0," and completely inverted (out of phase) with a setting of "180."

LFO Phase

This parameter is for the 8 Phase Chorus algorithm. It adjusts the phase of the LFO for each chorus.

Polarity

This parameter is for the 8 Phase Chorus algorithm. It lets you choose the difference in LFO phase for the left and right channels for each of the choruses. "NORMAL" is for 'in phase' sounds, and "INVERSE" is for 'out of phase' sounds.

Cross Mix

This parameter adjusts the proportion of output for one channel added to the output of the other channel. The change in the "fatness" of the sound can be controlled by varying this setting.

Pan

This parameter adjusts the position of the chorus sound in the stereo spectrum.

Crossover Frequency

This parameter adjusts the frequency used when the direct sound is split (and chorus is applied to one range).

Mix Level

This parameter adjusts the output levels for each of the choruses.

Mode

This parameter is for the Mono 16 Phase Chorus algorithm. It lets you select how effects are applied.

Pitch

This parameter is for the Pitch Shifter. It adjusts the change in the pitch of the direct sound. The larger the setting, the greater the change in pitch.

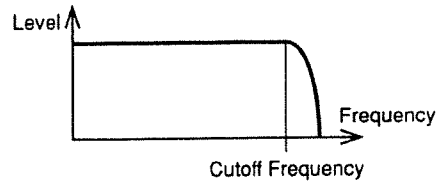
Intensity

This parameter adjusts the speed and depth of the chorus.

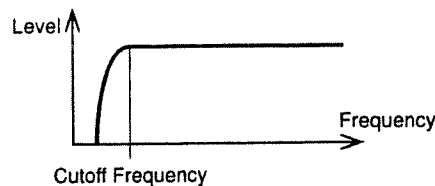
Chorus Filter

This parameter lets you select the type of filter used when applying chorus to the direct sound.

- OFF: Chorus is applied unchanged to the direct sound.
- LPF (Low-Pass Filter): Chorus is applied to the bass range of the direct sound.



- HPF (High-Pass Filter): Chorus is applied to the treble range of the direct sound.



Chorus Cutoff Frequency

This parameter adjusts the cutoff frequency used for the filter selected with the Chorus Filter parameter.

Chorus Level

This parameter adjusts the volume for the chorus sound.

Ambience Filter

This parameter lets you select the type of filter used when applying ambience to the direct sound.

- OFF: Ambience is applied unchanged to the direct sound.
- LPF (Low-Pass Filter): Ambience is applied to the bass range of the direct sound.
- HPF (High-Pass Filter): Ambience is applied to the treble range of the direct sound.

Ambience Cutoff Frequency

This parameter adjusts the cutoff frequency used for the filter selected with the Ambience Filter parameter.

Ambience Level

This parameter adjusts the volume for the ambience sound.

ENSEMBLE

This parameter creates a chorus effect using two LFOs of different speeds.

Mode

This parameter determines how the ensemble effect is applied.

EQUALIZER

This is a three-band equalizer (bass, midrange, and treble) that uses parametric control. The equalizers for the lower and higher ranges can be switched between 'peaking' and 'shelving' types with the setting for the Q parameter.

Low Frequency

This parameter sets the central frequency for the bass equalizer.

Low Gain

This parameter sets the gain (amount of boost or cut) for the bass equalizer.

Low Q

This parameter sets the range of change in gain for the frequency set with the Low Frequency parameter. The larger the value, the narrower the range. When set to "SHELV," the bass equalizer becomes a shelving type.

Middle Frequency

This parameter sets the central frequency for the midrange equalizer.

Middle Gain

This parameter sets the gain (amount of boost or cut) for the midrange equalizer.

Middle Q

This parameter sets the range of change in gain for the frequency set with the Middle Frequency parameter. The larger the value, the narrower the range.

High Frequency

This parameter sets the central frequency for the treble equalizer.

High Gain

This parameter sets the gain (amount of boost or cut) for the treble equalizer.

High Q

This parameter sets the range of change in gain for the frequency set with the High Frequency parameter. The larger the value, the narrower the range. When set to "SHELV," the treble equalizer becomes a shelving type.

FLANGER

This is a two-channel Flanger with full stereo output. The depth of the effect can be increased to obtain a sound reminiscent of a jet taking off or landing.

Rate

This parameter adjusts the frequency of the flanger undulations.

Depth

This parameter adjusts the depth of the flanging effect.

Manual






This parameter adjusts the central frequency of the flanging effect.

Resonance

This parameter adjusts the flanger resonance (feedback volume). Larger values increase the intensity of this unique effect.

LFO Waveform

This parameter selects the waveform of the LFO (low-frequency oscillator) that produces the change in the flanger.

- Tri : 
- Sin : 
- Exp : 
- OFW1 : 
- OFW2 : 

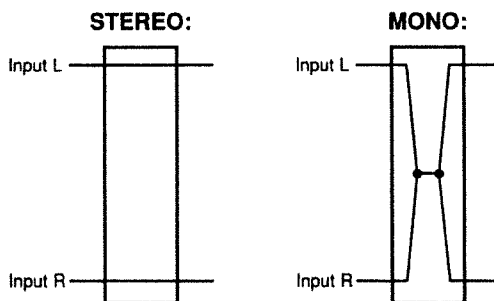
Phase

This parameter adjusts the difference in the phase of the LFO between the left and right channels. The two channels are perfectly in phase with a value of "0," and completely inverted (out of phase) with a setting of "180."

INPUT MODE

Input Mode

This parameter changes the input signal from stereo to monaural.



MASTER

Effect Level

This parameter adjusts the output level of the effect sound.

Direct

This parameter switches the direct sound on and off.

** You can switch the direct sound on or off (output or no output), no matter what Program Number has been selected. For details see "Direct Mix" on page 38.*

Total Level

Adjust the overall volume.

OVERDRIVE

This parameter simulates the mild distortion that sounds like it came from a vacuum-tube amp used with rotary effectors.

Effect On/Off

This parameter switches the overdrive effect on or off.

Gain

This parameter adjusts the input level for overdrive. The larger the value, the greater the distortion.

** When set to "0%," no sound is output at all.*

Drive

This parameter adjusts the volume of the distortion.

Level

This parameter adjusts the output level for overdrive.

OUTPUT MODE

Output Mode

This parameter lets you select the type of output.

Mode 1: Puts the LFOs for the left and right channels in phase.

Mode 2: Puts the LFOs for the left and right channels out of phase.

Mode 3: Puts the effect sounds for the left and right channels out of phase.

Mode 4: Outputs the direct sound from the left channel and the effect sound from the right channel. This gives you a really broad chorus sound by using air (rather than electronics) to mix the direct and effect sounds.

ROTARY

This parameter simulates the effect of a rotary speaker.

The rotary effect has a switch that lets you change the speed of speaker rotation (between Slow and Fast). The horn (the treble-range speaker) and the rotor (the bass-range speaker) can also be turned at different speeds. The rotary effect has the following parameters:

Speed Select

This parameter changes the speed of speaker rotation (Fast or Slow).

Horn Speed <Fast>

This parameter adjusts the horn's speed of rotation when set to "Fast."

Rotor Speed <Fast>

This parameter adjusts the rotor's speed of rotation when set to "Fast."

Horn Speed <Slow>

This parameter adjusts the horn's speed of rotation when set to "Slow."

Rotor Speed <Slow>

This parameter adjusts the rotor's speed of rotation when set to "Slow."

Rise Time: Horn

This parameter adjusts the change in the horn's speed of rotation when changed from "Slow" to "Fast."

Rise Time: Rotor

This parameter adjusts the change in the rotor's speed of rotation when changed from "Slow" to "Fast."

Fall Time: Horn

This parameter adjusts the change in the horn's speed of rotation when changed from "Fast" to "Slow."

Fall Time: Rotor

This parameter adjusts the change in the rotor's speed of rotation when changed from "Fast" to "Slow."

Mix Balance

This parameter adjusts the volume balance between the horn and rotor.

Mic Setting Mode

This parameter switches the microphone (used for recording the sound from the rotary speaker) on and off.

Off Mic: Simulates the sound recorded by a mic located away from the rotary speaker. The undulations are small, making this effective for instruments like jazz organs.

On Mic: Simulates the sound recorded by a mic located close to the rotary speaker. The undulations are strong, making this effective for instruments like rock organs.

Horn Depth

This parameter adjusts the depth of the horn's Doppler effect. (The Doppler effect is a pitch-shifting phenomenon which occurs when a sound source and listener move relative to one another.)

Rotor Depth

This parameter adjusts the depth of the rotor's Doppler effect.

Horn Tremolo

This parameter adjusts the amount of change in the horn's volume.

Rotor Tremolo

This parameter adjusts the amount of change in the rotor's volume.

Diffusion

This parameter adjusts the width or "fatness" of the sound.

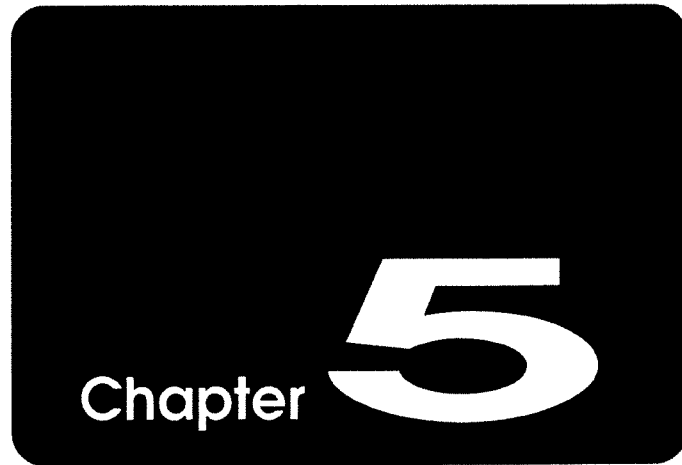
SPACE CHORUS

This chorus effect simulates the sound from Roland's well-known SDD-320 Dimension D.

Space Mode

This parameter lets you choose how the chorus changes.

MEMO



USING MIDI

MIDI Applications

The SDX-330 allows for the following types of control using MIDI.

Changing Program Numbers

Through the use of Program Change 'messages' (received from an external MIDI unit) you can change the SDX-330's Program Numbers without having to press any of its panel buttons. The correspondence that will exist between specific MIDI Program Change Numbers and the SDX-330's Program Numbers can be altered by changing the "Program Change Map" (p. 74). This feature is convenient when you wish to use an external MIDI device to select Program Numbers above 128, or when you want to match up Effects Programs with sounds on a keyboard.

Controlling Specified Parameters

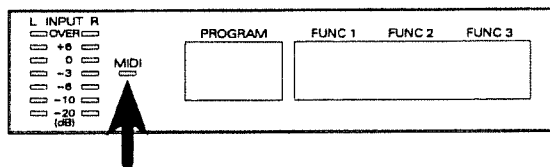
Aftertouch, Pitch Bend, or Control Change messages can be used during performance to control specified parameters.

Transmission of Data

Exclusive messages can be used to transmit the data stored in the SDX-330 (such as the settings for all Effects Programs) to another MIDI device. If you have a second SDX-330, such transmission allow you to set both units to the same settings. You can also send the contents of settings for all Effects Programs to a sequencer for storage.

About the MIDI Indicator

The SDX-330 is equipped with a MIDI indicator which will light whenever MIDI messages are received from an external device.



MIDI System Function Settings

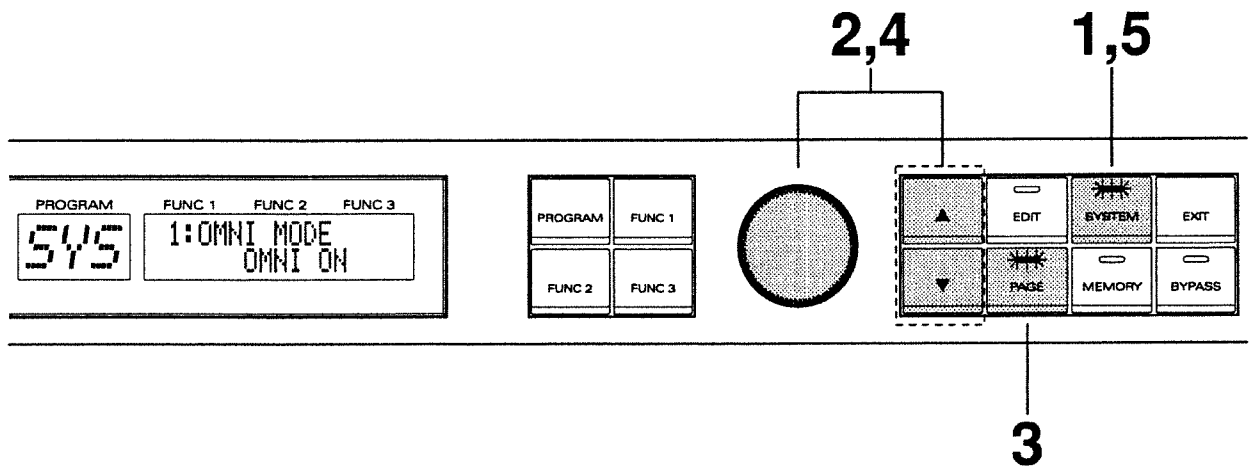
The following describes the MIDI System Functions available on the SDX-330. These settings allow you to configure the unit for the MIDI setup you intend to use.

The MIDI System Functions are as follows:

- MIDI Omni Mode
- MIDI Reception Channel
- MIDI Transmission Channel
- On/Off Switch for Reception of MIDI Program Change Messages
- On/Off Switch for Transmission of MIDI Expression Pedal Messages
- On/Off of MIDI Soft Thru
- MIDI Program Change Map
- MIDI Device ID
- MIDI Data Transfer
 - Data Transmission (Bulk Dump)
 - Data Reception (Bulk Load)

(Procedure)

** Note, however, that different procedures apply to the two items below. Refer to the specific section where they appear for the appropriate steps to take.
MIDI Program Change Map and MIDI Data Transfer (p.74, 75)*



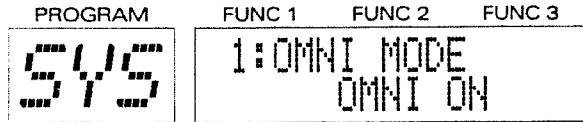
1. Press [SYSTEM] to get into the System mode.
The indicators on both the SYSTEM and PAGE buttons will light.
2. Select the function you wish to make settings for using the ALPHA DIAL or the [▲] / [▼] buttons.
3. Press [PAGE].
The indicator on the PAGE button will go out, and the item that is to be changed will begin flashing.
4. Use the ALPHA DIAL or the [▲] / [▼] buttons to change the setting.

** If you press [PAGE] after making the setting, you will be returned to the place you were in Step 2 (where you can select other settings if needed).*

5. Press [SYSTEM] (or [EXIT]) to return to the Play mode.
The indicator on the SYSTEM button will go out.

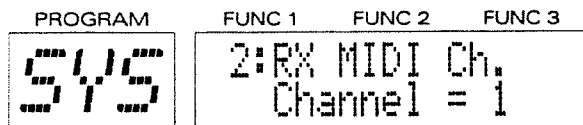
MIDI Omni Mode (ON/OFF)

When the Omni Mode is set to ON, MIDI data arriving on any channel will be received; regardless of the setting for the MIDI reception channel.



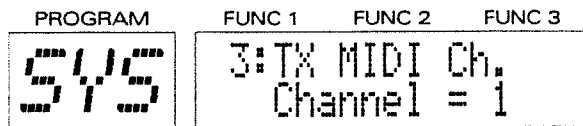
MIDI Reception Channel (1—16)

This setting determines the channel that will be used to receive MIDI messages. The SDX-330 will respond to only the messages that arrive on this channel.



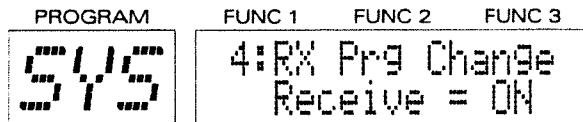
MIDI Transmission Channel (1—16)

This setting determines the channel that will be used to transmit MIDI messages. The SDX-330 will send out all its MIDI messages on this channel.



MIDI Program Change Message Reception (ON/OFF)

This setting determines whether or not the SDX-330 will change Program Numbers when Program Change messages are received. When set to "OFF," the SDX-330 will ignore all received Program Change messages.



MIDI Expression Pedal Message Transmission (OFF, 0—31/64—95)

This setting allows you to determine the Control Number that will be used for sending out Expression Pedal messages (MIDI Control Changes) generated by an expression pedal connected to the SDX-330's EXP. PEDAL jack. This function allows you to use the expression pedal to remotely control parameters in an external MIDI device.

PROGRAM	FUNC 1	FUNC 2	FUNC 3
SYS	5:TX Exp. Pedal Transmit = OFF		

** As a factory default, this function is set to "OFF." If left at OFF, no Control Change messages will be sent out by the SDX-330.*

** The appropriate Control Number will differ depending on the particular unit that will be receiving these messages. When making this setting, please refer to the MIDI Implementation Chart that was supplied with the external MIDI unit.*

MIDI Soft Thru Switch (ON/OFF)

This setting determines whether or not you wish to have the full stream of MIDI data that arrives at the SDX-330's MIDI IN connector to be sent out from its MIDI OUT connector. When set to "ON," all data arriving at MIDI IN will be re-transmitted from the MIDI OUT connector.

PROGRAM	FUNC 1	FUNC 2	FUNC 3
SYS	6:MIDI THRU Soft Thru OFF		

MIDI Device ID (1— 32)

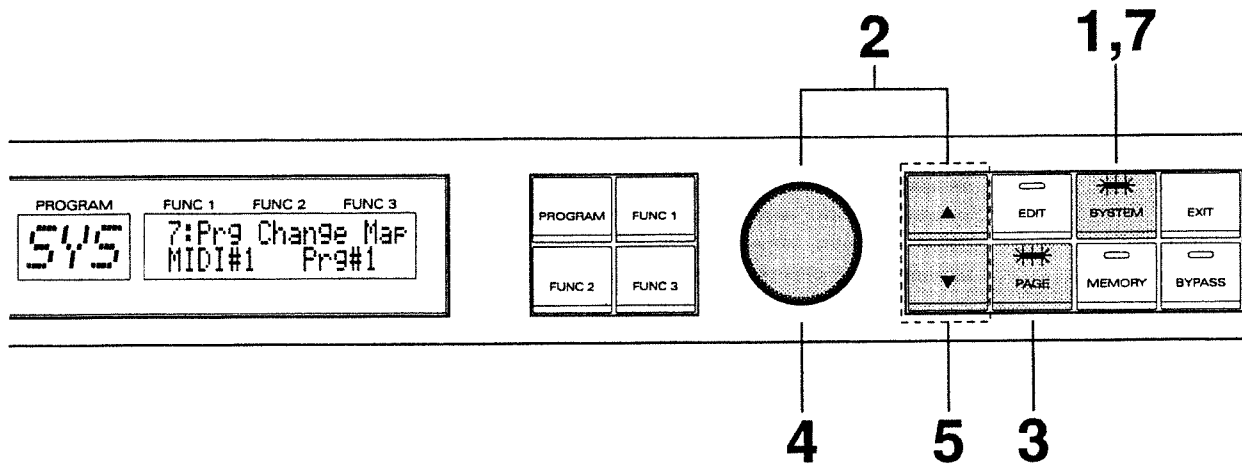
This sets the 'ID number' of the device. The device ID number is used for identification when exchanging SysEx messages. Only devices with matching device ID numbers can exchange SysEx messages.

PROGRAM	FUNC 1	FUNC 2	FUNC 3
SYS	8:Device ID NUMBER = 1		

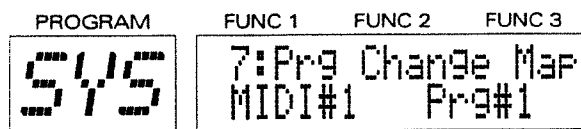
MIDI Program Change Map Settings

This function allows you to change the correspondence between the MIDI Program Change messages that are received and the actual Program Numbers in the SDX-330. This ability to 'map' your own correspondence between these numbers can be invaluable when wishing to have incoming Program Change messages select specific Program Numbers on the SDX-330.

(Procedure)



1. Press [SYSTEM] to get into the System mode.
The indicators on both the SYSTEM and PAGE buttons will light.
2. Select the Program Change Map function using the ALPHA DIAL or the [▲]/[▼] buttons.



3. Press [PAGE].
The indicator on the PAGE button will go out, indicating you are in the mode where setting changes can be made.
4. Use the ALPHA DIAL to select the Program Change number (message) you wish to receive.
5. Use [▲]/[▼] to select the Program Number on the SDX-330 that will be selected as a result of receiving the above Program Change number (message).
6. Repeat Steps 4 and 5 until you have the desired correspondence between the MIDI Program Change numbers (messages) and the SDX-330's Program Numbers.

** Press [PAGE] after making the settings to be returned to the place you were in Step 2 (where you can change other settings if you so desire).*

7. Press [SYSTEM] (or [EXIT]) to return to the Play mode.
The indicator on the SYSTEM button will go out.

MIDI Data Transfer

The SDX-330 can use Exclusive messages to send all internal data to a second SDX-330, thus having the same settings in both units. You can also send the contents of settings for all Effects Programs to a sequencer for storage. The sending of Exclusive messages (for the above purposes) is referred to as a "Bulk Dump." Reception is known as a "Bulk Load."

(Data Which Can be Transferred)

The types of data which can be transferred between two devices is as shown below. When carrying out such exchanges of data, the unit allows you to transfer only specific 'packages' of data (identified in terms of a start point and an end point).

Display Shows

SYSTEM
No. 1—200

Data Transferred

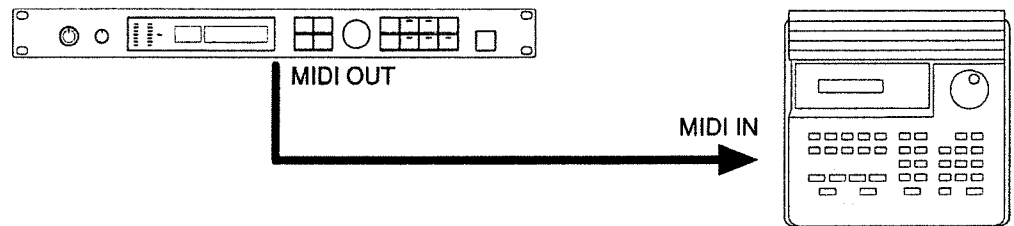
System Function Settings
Settings for Program No. 1—200

Data Transmission (Bulk Dump)

(How to Make the Connections)

Transferring Data to a Sequencer

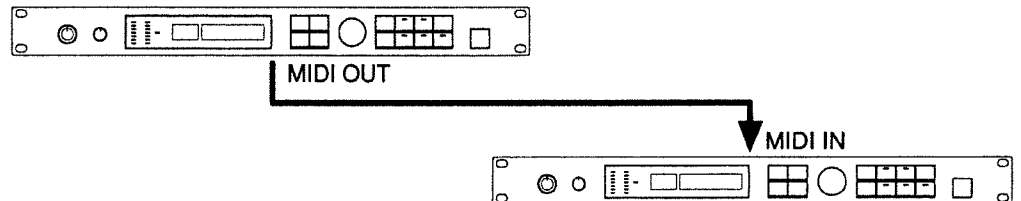
Make the connections as shown below, and have your sequencer set so it is ready and waiting to receive Exclusive data.



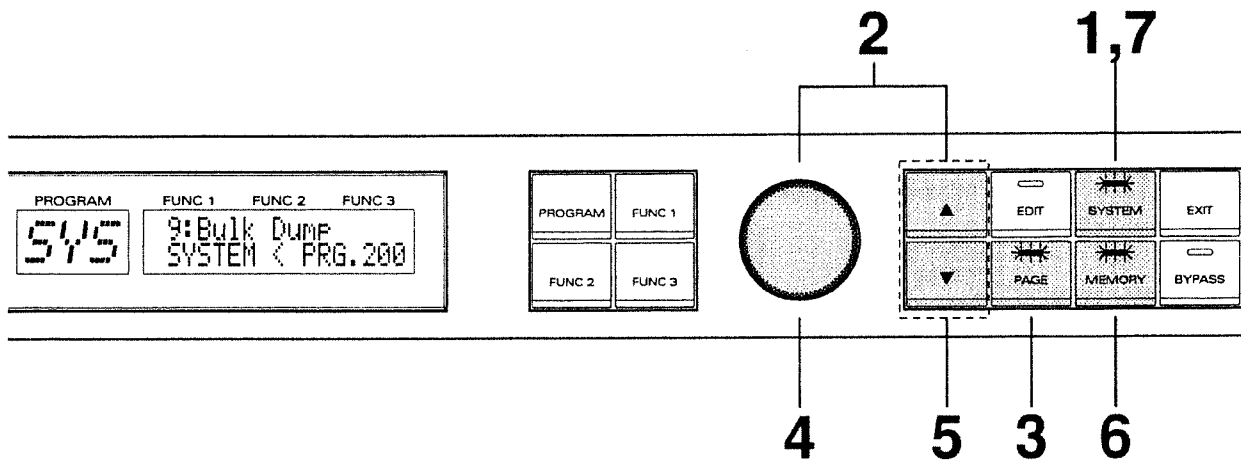
*** Refer to your sequencer manual for details on how to receive Exclusive data.**

Copying Data to Another SDX-330

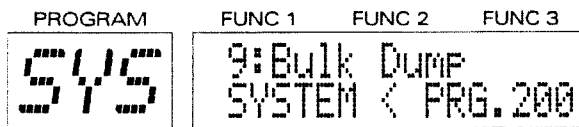
Make the connections as shown below, and have the Device ID number on the transmitting unit match the channel on the receiving unit.



(Carrying Out Transmission)



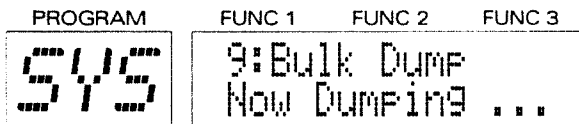
1. Press [SYSTEM] to get into the System mode.
The indicators on both the SYSTEM and PAGE buttons will light.
2. Select the Bulk Dump function using the ALPHA DIAL or the [▲] / [▼] buttons.



3. Press [PAGE].
The indicator on the PAGE button will go out, and the current content of the settings will be displayed.
4. Use the ALPHA DIAL to specify the START point for the data that is to be transmitted.
5. Use [▲] / [▼] buttons to specify the END point for the data that is to be transmitted.

** The END point must never be set to a value that is smaller than the START point.*

6. Press [MEMORY] and the data will be transmitted.



Once all the data has been transferred, you are returned to the screen you were in before the transmission began.

** Press [PAGE] to be returned to Step 2 (where you can select other procedures if necessary).*

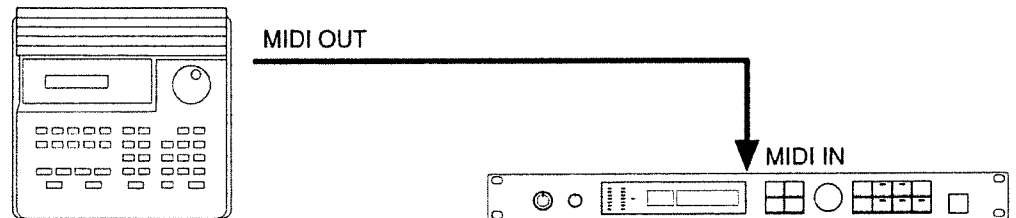
7. Press [SYSTEM] (or [EXIT]) to return to the Play mode.
The indicator on the SYSTEM button will go out.

Data Reception (Bulk Load)

(The Connections)

Transferring Data Stored in a Sequencer Back to the SDX-330

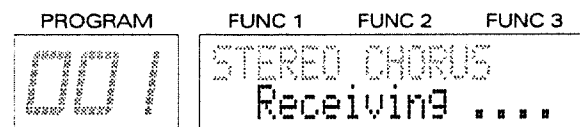
Make the connections as shown below, and have the SDX-330 set to the same Device ID number that it was set to when you originally transferred the data to the sequencer.



** Refer to your sequencer manual for instructions on how to transfer Exclusive data.*

(Carrying Out Reception)

The unit is ready to receive Exclusive data from an external MIDI device. Whenever Bulk Data has been received, the following will appear in the display:



MEMO



REFERENCE

The Exchange of MIDI Data

MIDI is the acronym for “Musical Instrument Digital Interface.” It is an industry-wide standard that allows for data (such as that representing the music played, or for changes in sounds used) to be exchanged among various instruments and computers. As long as they are MIDI compatible, all devices, regardless of model or manufacturer, can exchange whatever performance data they are both equipped to ‘understand.’

MIDI converts every ‘performance event’ into MIDI data. When received by another instrument, this stream of MIDI data can be used to “play” it, as if that instrument itself were being played.

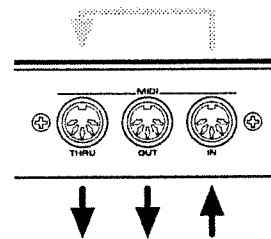
The Exchange of MIDI Data

About MIDI Connectors

In carrying out the exchange of MIDI data, the three connectors shown below are used. MIDI cables can be routed from these connectors in varying ways depending on the kind of setup you have in mind.

- MIDI IN: Receives data from another MIDI device.
- MIDI OUT: Transmits data originating in the unit.
- MIDI THRU: Sends out an exact copy of the data received at MIDI IN.

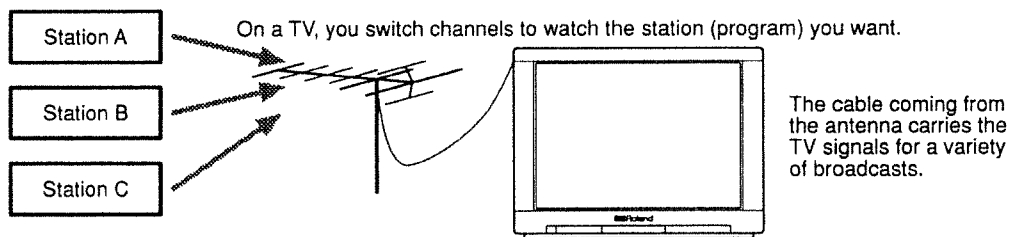
*** In theory, any number of MIDI devices could be connected together using MIDI THRU connectors, but it is best to consider 4 or 5 devices as being the practical limit. This is because the further down the line a device is located, the greater the likelihood of signal deterioration or delay.**



MIDI Channels

In MIDI communications, a single cable simultaneously carries different streams of performance information for a multiple number of MIDI devices. This is possible thanks to the concept of MIDI channels.

MIDI channels are in some ways similar to the channels on a television set. On a TV, a variety of programs broadcast from different stations can be viewed by switching channels. This is because the information on any particular channel is conveyed only when the receiver is set to the same channel that is being used for transmission.



The channels available with MIDI range from 1 through 16. When a musical instrument (the receiver) is set so its channel matches the MIDI channel used by the transmitting device, the MIDI data is successfully ‘communicated.’

*** When the Omni Mode is set to ON, MIDI data arriving on any channel will be received, regardless of any MIDI channel settings that exist. If you do not need to have channel-specific MIDI control over anything, the Omni Mode can be set to ON.**

MIDI Messages Recognized by the SDX-330

In order to convey the great variety of expression possible with music, the MIDI standard contains a large range of data 'types' (messages). MIDI messages can be divided into two main types: messages that are handled on each channel messages; and messages that are handled independently of channels (System messages).

CHANNEL MESSAGES

These messages are used to convey the events of a performance. In most circumstances, they alone are sufficient for providing the range of control needed. The specific results obtained by the various MIDI message of this type are determined by the settings on the unit receiving them.

- **Program Change Messages**

These messages are used for conveying information about changes to another sound. Sounds are changed using Program Change Numbers, numbered from 1 through 128. The Program Numbers on the SDX-330 correspond numerically with MIDI Program Change Numbers. Through settings for the Program Change Map function, you can change the correspondence between MIDI Program Change Numbers and Program Numbers on the SDX-330. This feature becomes very useful when you wish to use an external MIDI device to select Program Numbers above 128, or when you want to match Effects Programs with sounds on a keyboard.

- **Control Change Messages**

Control Change messages serve in enhancing the expressiveness of a performance. Every available function can be identified by its own Control Number. The functions which are available for control can vary widely depending on the MIDI device being used. On the SDX-330, these messages are used to control selected parameters.

- **Aftertouch Messages**

These messages convey the ongoing changes in the value of 'Aftertouch.' They contain information about the amount of pressure applied to keys on a keyboard, and usually are used to cause a change in the nuance of the sound. There are two types of Aftertouch; Channel and Polyphonic.

Channel Aftertouch provides control based on individual MIDI channels. No matter which specific keys are pressed more firmly, the effect is applied equally to all notes on the same MIDI channel. Polyphonic Aftertouch provides control on an individual key (note) basis. Even though it may share the same MIDI channel with other notes, any particular key that has more pressure put on it will produce a unique effect.

The SDX-330 responds to Channel Aftertouch messages which can be assigned to control a selected parameter.

- **Pitch Bend Messages**

These messages convey the action of a Pitch Bend Lever (Wheel) that is found on many synthesizers. On the SDX-330, these messages can be used to control selected parameters.

- **Note Messages**

Note messages convey the musical notes produced during a performance. On the SDX-330, Note On/Off messages (press/release of keys) for specific Note Numbers (position on the keyboard), as well as Velocity messages (force applied when pressing a key) can be used to control selected parameters.

SYSTEM MESSAGES

System messages include Exclusive messages, messages used for synchronizing the performance of multiple units, and other messages employed for diagnostic purposes. The SDX-330 supports the use of Exclusive messages.

- Exclusive Messages

Exclusive messages handle information related to a unit's own unique sounds, or other device-specific information. Generally, such messages can only be exchanged between devices of the same model by the same manufacturer.

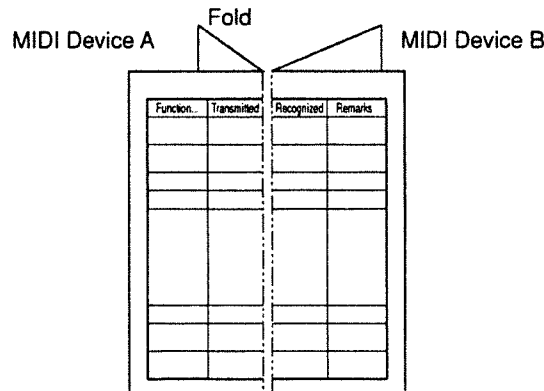
Exclusive messages can be employed to save the settings for Effects Programs into a sequencer, or for transferring such data to another SDX-330.

Whenever Exclusive messages are to be used for communication, both devices must be set to the same Device ID Number.

MIDI Implementation Chart

MIDI has made it possible for a wide range of musical instruments to communicate with each other, but that doesn't necessarily mean that the many types of data will all be understood. If communication between two connected MIDI devices is to be successful, it must take place using only the types of data that they have in common.

It is for this reason that every owner's manual — for all kinds of MIDI devices — always includes a MIDI Implementation Chart as a quick reference to the types of MIDI messages it is capable of handling. You should compare the MIDI Implementation Charts for any two devices in order to find out which types of data can be exchanged. Since these charts are standardized, you can place them so they overlap. This way you can easily compare the receiving device with the transmitting device.



* For detained information on MIDI data of the SDX-330, a separate "MIDI Implementation document" is available at any Roland Service Station.

Before using the 3D Effects

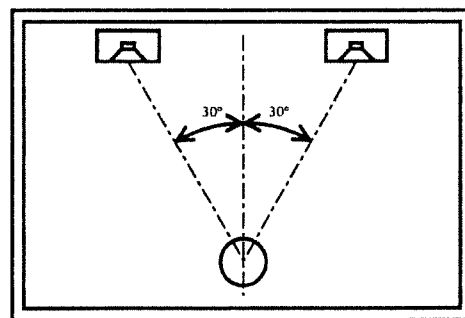
Note on monitoring

The 'sound positioning' created by the 3D Effects will give different results depending on the system used for monitoring or the position of the listener, etc. Please take the following into consideration when using the 3D Effects.

When using loud speakers

- A non-reverberant control room is suitable for use with the 3D Effects.
- Speaker systems of a coaxial or virtual coaxial design are suitable for use with the 3D Effects.

*** Monitor the sound at the sweet spot of the 3D Effects.**



For best results the speaker should be placed close to the rear wall and far from the side wall. Do not place the speakers too far apart. Excessive room reverberation will also have an adverse affect upon the sonic result.

*** Confirming sound position may be difficult if the volume is too low (or too high).**

When using effects devices

When effects devices are used with the 3D Effects, the sound position created by the system may change. Please note the following:

How to connect effects devices

- Use an effects device that affects the original sound (such as distortion, limiter, compressor or pitch shifter), prior to entering the 3D Effects.

Troubleshooting

If for some reason you do not hear the sound you expect to, or suspect that something is wrong with the way the unit is operating, first check through the items that follow. If you are still unable to correct the problem, consult your retailer or contact the nearest Roland Service Station.

** If an unfamiliar message appears in the display during use, check "Error Messages" (p. 85) for an explanation.*

No Sound Produced/Level Too Low

- Are you sure connections with all other devices have been made properly?
- Have you checked the amplifier and/or mixer you are using to make sure that power is ON and the volume is at a suitable level?
- Are you sure the INPUT LEVEL knob is not set too low?
- Do you have Bypass turned ON?
If Bypass is set at "Output Mute" and you then turn Bypass ON, not even the direct sound will be heard (p. 39).
- Is the sound produced normally if you switch to a different Program Number, and then come back and select the one in question?
If so, it means that the volume was being suppressed temporarily due to a change in the value of a parameter specified for Control Assign.
If sound is not produced normally after trying the above, you should recheck every setting that pertains to volume for that Program Number (Total Level, Control Assign, etc.).
- Have you checked for damaged cables?
Replace any damaged cables.

Sound is Distorted (The "OVER" segments in the Level Meter light frequently)

- Do you have the INPUT LEVEL knob at an appropriate level? (p. 12)
- Do you have the INPUT/OUTPUT LEVEL switch on the rear panel set to the position appropriate for the devices you have connected?
- Could the output level be too great on the external unit you have connected?
- Is the distortion eliminated when you try switching to another Program Number?
If so, you should recheck every setting that pertains to volume for the Program Number in question (Total Level, Control Assign, etc.).

Cannot Obtain Expected Control Over Parameter Specified for Control Assign

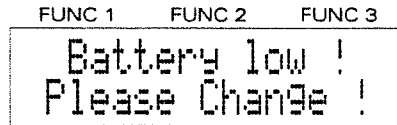
- Have you checked to make sure the settings made for the parameter to be controlled were correct?
Make sure the specified range of change is not too narrow.
- Recheck to make sure the MIDI channels on both units match if expecting to use MIDI messages received from an external device to control a parameter.

Cannot Obtain Expected Changes in Program Numbers

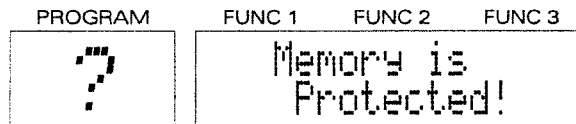
- First make sure the MIDI channels on your units match.
If changes to unintended Program Numbers occur, recheck the settings for the Program Change Map (p. 74).

Error Messages

An error message will appear in the display whenever an error has been made during operation, or when the unit is incapable of completing a task. Please take note of the displayed message and correct the cause of the error.



The lithium battery (essential for maintaining parameter settings) is nearly exhausted. Have the battery replaced by your retailer or at the nearest Roland Service Station.



Although settings for Effects Programs can be made, they cannot be stored in memory because Memory Protect is "ON."

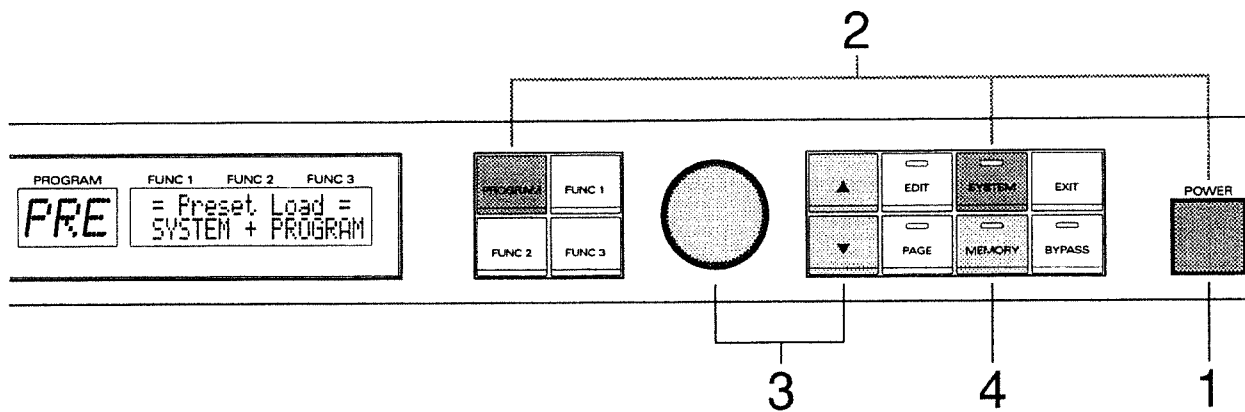
Exclusive messages could not be received because Memory Protect is "ON." Try the procedure again after turning memory protection "OFF."

Restoring the Factory Default Settings (Initialization)

To restore the SDX-330's factory default settings ("Initialization"), follow the steps below. In addition to initializing all settings, you can also choose to initialize only the User Area or System settings. With the factory default settings, Program Numbers 201—300 in the Preset Area will be duplicated at Program Numbers 1—200 in the User Area.

Initialization can be carried out with respect to the following groups of data:

- PROGRAM** :Only data in the User Area will be restored to the factory default settings.
- SYSTEM** :Only settings for the System will be restored to the factory default settings.
- PROGRAM+SYSTEM** :All settings will be restored to the factory default settings.



1. Turn the power OFF.
2. While holding down both [PROGRAM] and [SYSTEM], turn the power ON. The page in which you specify the group(s) of data to be initialized appears:

PROGRAM	FUNC 1	FUNC 2	FUNC 3
PRE	= Preset Load = SYSTEM + PROGRAM		
3. Use the ALPHA DIAL or the [▲] / [▼] buttons to specify the group(s) of data to be initialized.
 - * At this point, you can press [EXIT] to cancel the initialization and return to the Play mode.
4. Press [MEMORY], and the initialization will begin. Once the data has been initialized, you are returned to the Play mode.

MIDI Implementation Chart

Function***		Transmitted	Recognized	Remarks
Basic Channel	Default Changed	1 - 16 1 - 16	1 - 16 1 - 16	Memorized
Mode	Default Messages Altered	x x *****	OMNI ON/OFF x x	Memorized
Note Number	True Voice	x *****	o *1 x	*2
Velocity	Note ON Note OFF	x x	o *1 x	*2
After Touch	Key's Ch's	x x	x o *1	*2
Pitch Bend		x	o *1	*2
Control Change	0 - 31 32 - 63	o *3	o *1 o *1	*2 *2 *4
	64 - 95	o *3	o *1	*2
Prog Change	True #	x *****	o *1 0 - 127	
System Exclusive		o	o	
System Common	Song Pos Song Sel True	x x x	x x x	
System Real Time	Clock Commands	x x	x x	
AUX Messages	Local ON/OFF All Notes OFF Active Sense Reset	x x x x	x x x x	
Notes	*1: Can be set manually to o/x, and permanently memorized. *2: Made controllable by specifying one particular parameter. *3: Transmit Expression Pedal value. *4: LSB of Control Change #0 — #31			

Mode 1 : OMNI ON, POLY
Mode 3 : OMNI OFF, POLY

Mode 2 : OMNI ON, MONO
Mode 4 : OMNI OFF, MONO

o : Yes
x : No

Specifications

SDX-330 :DIMENSIONAL EXPANDER

Signal Processing

AD Conversion :16bit, $\Delta\Sigma$ modulation

DA Conversion :16bit, $\Delta\Sigma$ modulation

Sampling Frequency

44.1kHz

Program Memories

User Area :1 to 200

Preset Area :201 to 300

Frequency Response

5Hz to 70kHz -3/+0.1dB (Direct)

20Hz to 20kHz -3/+0.3dB (Effect)

Nominal Input Level

-20/+4dBm (selectable with Input LEVEL Switch)

Input Impedance

300k Ω (Input LEVEL Switch: -20dBm)

10k Ω (Input LEVEL Switch: +4dBm)

Nominal Output Level

-20/+4dBm (selectable with Output LEVEL Switch)

Output Impedance

1.5k Ω (Output LEVEL Switch: -20dBm)

9k Ω (Output LEVEL Switch: +4dBm)

Total Harmonic Distortion

0.012% or less (Direct, 1kHz at nominal input level)

0.02% or less (Effect, 1kHz at nominal input level)

Dynamic Range

100dB or greater (Direct)

90dB or greater (Effect)

Controls

INPUT LEVEL Knobs (L, R)

OUTPUT LEVEL Knob

PROGRAM Button

Function Buttons (1, 2, 3)

Alpha-Dial

Increment/Decrement Buttons

EDIT Button

PAGE Button

SYSTEM Button

MEMORY Button

EXIT Button

BYPASS Button

POWER Button

Input LEVEL Switch

Output LEVEL Switch

Display

3 characters, 1 lines (backlit LCD)

17 characters, 2 lines (backlit LCD)

Indicators

Input Level Indicator

MIDI Indicator

Connectors

INPUT Jacks (L (MONO), R)

OUTPUT Jacks (L (MONO), R)

EXPRESSION Pedal Jack

CONTROL Jack

BYPASS Jack

MIDI Connectors (In, Out, Thru)

Power Supply

AC117V, AC230V or AC240V

Power Consumption

16W

Dimensions

482 (W) x 307 (D) x 44 (H) mm

19 (W) x 12-1/8 (D) x 1-3/4 (H) inches

(EIA-1U rack mount type)

Weight

3.8kg/ 8 lbs 7 oz

Accessory

Owner's Manual

*** 0dBm=0.775Vrms**

*** In the interest of product development, the specifications and/or appearance of this unit are subject to change without prior notice.**

Index

Aftertouch messages	22, 81	PANEL DESCRIPTION	7
Algorithm	18	Parameter	18, 21
		Parameter Displayed in Top Screen	30
Bypass	14, 24, 39	Parameter Edit mode	19
		Pitch Bend messages	22, 81
Choosing What Is Shown In the Display	15	Preset Area	18
Comparing Sounds	34	Program Change messages	81
Contrast	39	Program Number	13, 70
Control Assign	22		
Control Change messages	22	Selecting Effects Programs	13
CONTROL Jack	22	Specifications	88
Control Source	22	System Function	37
Control Target	24		
		To Cancel Settings You Have Made	21
Data Reception (Bulk Load)	77	Troubleshooting	84
Data Transmission (Bulk Dump)	70, 75		
Direct Mix	38	User Area	18
		Unit Name	20
Effect Name	27		
Error Messages	85	Value Range	24
EXP. PEDAL jack	22	Velocity messages	22
Exclusive messages	82		
		Write Procedure	35
Initialization	86		
Input Level	12		
Making Copy	36		
Making the Connections	10		
Making Settings for the Effects	19		
Memory Protect	19, 36, 38		
MIDI Channels	80		
MIDI Device ID Number	73		
MIDI Expression Pedal Message Transmission	73		
MIDI Implementation Chart	82, 87		
MIDI Indicator	70		
MIDI Omni Mode	72		
MIDI Program Change Map	74		
MIDI Program Change Message Reception	72		
MIDI Reception Channel	72		
MIDI Soft Thru	73		
MIDI Transmission Channel	72		
MUTE	38		
Note Number messages	22, 81		
Order Parameters	32		
Output Level	12		

Information

When you need repair service, call your local Roland Service Station or the authorized Roland distributor in your country as shown below.

U. S. A.

Roland Corporation US
7200 Dominion Circle
Los Angeles, CA. 90040-3696, U. S. A.
TEL: (213) 685-5141

CANADA

Roland Canada Music Ltd.
(Head Office)
5480 Parkwood Way
Richmond B. C., V6V 2M4
CANADA
TEL: (604) 270-6626

Roland Canada Music Ltd.

(Montreal Office)
9425 Transcanadienne
Service Rd. N., St Laurent,
Quebec H4S 1V3, CANADA
TEL: (514) 335-2009

Roland Canada Music Ltd.

(Toronto Office)
346 Watline Avenue,
Mississauga, Ontario L4Z 1X2, CANADA
TEL: (416) 890-6488

AUSTRALIA

Roland Corporation Australia Pty. Ltd.
38 Campbell Avenue
Dee Why West. NSW 2099
AUSTRALIA
TEL: (02) 982-8266

NEW ZEALAND

Roland Corporation (NZ) Ltd.
97 Mt. Eden Road, Mt. Eden,
Auckland 3, NEW ZEALAND
TEL: (09) 3098-715

UNITED KINGDOM

Roland (U.K.) Ltd.
Rye Close Ancells Business
Park Fleet, Hampshire GU13 8UY, UNITED KINGDOM
TEL: 0252-816181

Roland (U.K.) Ltd., Swansea Office

Atlantic Close, Swansea
Enterprise Park, Swansea,
West Glamorgan SA79FJ,
UNITED KINGDOM
TEL: (0792) 700-139

IRELAND

The Dublin Service Centre Audio Maintenance Limited
11 Brunswick Place Dublin 2
Republic of Ireland
TEL: 010 353 1677322

ITALY

Roland Italy S. p. A.
Viale delle Industrie 8 20020
ARESE MILANO ITALY
TEL: 02-93581311

SPAIN

Roland Electronics de España, S. A.
Calle Bolivia 239 08020
Barcelona, SPAIN
TEL: 93-308-1000

GERMANY

Roland Elektronische Musikinstrumente Handelsgesellschaft mbH.
Osistrasse 96, 22844
Norderstedt, GERMANY
TEL: 040/52 60 090

FRANCE

Guillard Musiques Roland
ZAC de Rosarge 01700
MIRIBEL FRANCE
TEL: (7) 226-50 60

Guillard Musiques Roland (Paris Office)
1923 rue Léon Geoffroy
94400 VITRY-SUR-SEINE
FRANCE
TEL: (1) 4680 86 62

BELGIUM/HOLLAND/LUXEMBOURG

Roland Benelux N. V.
Houtstraat 1 B-2260 Oevel-
Westerlo BELGIUM
TEL: (0032) 14-575811

DENMARK

Roland Scandinavia A/S
Langebrogade 6 Box 1937
DK-1023 Copenhagen K.
DENMARK
TEL: 31-95 31 11

SWEDEN

Roland Scandinavia A/S
Danvik Center 28 A, 2 tr.
S-131 30 Nacka SWEDEN
TEL: 08-702 00 20

NORWAY

Roland Scandinavia Avd. Kontor Norge
Lilleakerveien 2 Postboks 95
Lilleaker N-0216 Oslo 2
NORWAY
TEL: 22-73 00 74

FINLAND

Fazer Musik Inc.
Länsituulentie POB 169,
SF-02101 Espoo FINLAND
TEL: 0-43 50 11

SWITZERLAND

Roland CK (Switzerland) AG
Gerberstrasse 5, CH-4410
Liestal, SWITZERLAND
TEL: 061/921 16 15

AUSTRIA

E. Dematte & Co.
Neu-Rum Siemens-Strasse 4
A-6040 Innsbruck P.O.Box
83
AUSTRIA
TEL: (0512) 26 44 260

GREECE

V. Dimitriadis & Co. Ltd.
20, Alexandras Avn., GR
10682 Athens, GREECE
TEL: 01-8232415

PORTUGAL

Casa Caius Instrumentos Musicais Lda.
Rua de Santa Catarina 131
4000 Porto, PORTUGAL
TEL: 02-38 44 56

HUNGARY

Intermusica Ltd.
Warehouse Area 'DEPO'
Torokbalint, Budapest
HUNGARY
TEL: (1) 1868905

ISRAEL

D.J.A. International Ltd.
11 Bar Gyiora St., Tel Aviv
ISRAEL
TEL: 972-3-525-3834

CYPRUS

Radex Sound Equipment Ltd.
17 Diagorou St., P.O.Box
2046, Nicosia CYPRUS
TEL: 453426, 466423

U.A.E

Zak Electronics & Musical Instruments Co.
P.O. Box 8050
DUBAI, U.A.E
TEL: 695774

SAUDI ARABIA

Omar Badoghaish Trading Corp.
P.O. Box 5980
Jeddah, SAUDI ARABIA
TEL: 966-02-6607038

KUWAIT

Easa Husain Al-Yousifi
P.O. Box 126 Safat 13002
KUWAIT
TEL: 965-5719499

LEBANON

A. Chahine & Fils
P.O. Box 16-5857
Beirut, LEBANON
TEL: 335799

TURKEY

Barkat Sanayi ve Ticaret
Siraselvililer Cad. 86/6 Taksim
Istanbul, TURKEY
TEL: 212-2499324

EGYPT

Al Fanny Trading Office
9, Ebn Hagar Ai Askalany
Street, Ard El Golf,
Heliopolis, Cairo, 11341
EGYPT
TEL: 2917803-665918

QATAR

Badie Studio & Stores
P.O.Box 62,
DOHA Qatar
TEL: 974 423554

BAHRAIN

Moon Stores
Bad Al Bahrain Road,
P.O.Box 20077
State of Bahrain
TEL: (0973) 211 005

BRAZIL

Roland Brasil Ltda.
R. Alvarenga 591 CEP-05509
Sao Paulo BRAZIL
TEL: (011) 210-7266

MEXICO

Casa Veerkamp, s.a. de c.v.
Mesones No. 21 Col. Centro
MEXICO D.F. 06080
TEL: (5) 709-3716

La Casa Wagner de Guadalajara s.a. de c.v.
Av. Corona No. 202 S.J.
C.P.44100 Guadalajara,
Jalisco MEXICO
TEL: (36) 13-1414

VENEZUELA

Musicland Digital C.A.
Av. Francisco De Miranda,
Centro Parque Cristal, Nivel
C2 Local 20 Caracas
VENEZUELA
TEL: (2)2844497

PANAMA

Productos Superiores, S.A.
Apartado 655 - Panama 1
REP. DE PANAMA
TEL: 26-3322

ARGENTINA Instrumentos Musicales S.A.

Florida 638
(1005) Buenos Aires
ARGENTINA
TEL: (1)394-4029

HONG KONG

Tom Lee Music Co., Ltd. Service Division
22-32 Pun Shan Street, Tsuen
Wan, New Territories,
HONG KONG
TEL: 415-0911

KOREA

Cosmos Corporation Service Station
261 2nd Floor Nak-Won
Arcade Jong-Ro ku, Seoul,
KOREA
TEL: (02) 742 8844

SINGAPORE

Swee Lee Company
BLOCK 231,
Bain Street #03-23
Bras Basah Complex,
Singapore 0718
TEL: 3367886

PHILIPPINES

G.A. Yupangco & Co. Inc.
339 Gil J. Puyat Avenue
Makati, Metro Manila 1200,
PHILIPPINES
TEL: 02 (817) 0013

THAILAND

Theera Music Co., Ltd.
330 Verng Nakorn Kasem,
Soi 2, Bangkok 10100,
THAILAND
TEL: 2248821

MALAYSIA

Bentley Music SDN BHD
No.142, Jalan Bukit Bintang
55100 Kuala Lumpur,
MALAYSIA
TEL: (03) 2443333

INDONESIA

PT Citrarama Belantika
JL Alaydrus 84 B
Jakarta 10130
INDONESIA
TEL: (021) 3802638,
3802639

TAIWAN

Siruba Enterprise (Taiwan) Co., LTD.
Room. 5, 9fl. No. 112 Chung
Shan N.Road Sec.2 Taipei,
TAIWAN, R.O.C.
TEL: (02) 571-5860

SOUTH AFRICA

That Other Music Shop (PTY) Ltd.
11 Melle Street (Cnr Melle
and Juta Street)
Braamfontein 2001
Republic of South Africa
TEL: 27 11 403-4105

Paul Bothner (PTY) Ltd.

17 Werdmuller Centre
Claremont 7700
Republic of South Africa
TEL: 021-64-4030

As of Dec. 2, 1993

SDX-330 Preset Name Table

Roland

No. Preset Name	Algorithm No.	No. Preset Name	Algorithm No.
*01 STEREO CHORUS	1: Stereo Chorus	*51 SLAPPIN'CHORUS 3	7: 4 Band Chorus
*02 DIMENSIONAL CHO	2: Stereo 3D Chorus	*52 SLAPPIN'CHORUS 4	7: 4 Band Chorus
*03 SLOW SPINNER	3: 3D Panner	*53 RICH & MOTION	7: 4 Band Chorus
*04 SDD-320 Dimension	4: Space Chorus	*54 BASS CHORUS 1	7: 4 Band Chorus
*05 LO END WIGGLE	5:2 Band Chorus	*55 BASS CHORUS 2	7: 4 Band Chorus
*06 MIDRANGE CHORUS	6: 3 Band Chorus	*56 CREAM & SUGAR 1	8: Stereo 8 Phase Chorus
*07 RICH & SOLID`	7: 4 Band Chorus	*57 CREAM & SUGAR 2	8: Stereo 8 Phase Chorus
*08 CREAM & SHIMMER	8: Stereo 8 Phase Chorus	*58 PHASE SCREW	8: Stereo 8 Phase Chorus
*09 FAST MOTION	9: 16 Phase Chorus	*59 WATER SURFACE	8: Stereo 8 Phase Chorus
*10 DETUNE SHIMMER	10: Detune Chorus	*60 LIKE BUTTAH!	8: Stereo 8 Phase Chorus
*11 CHEESE CHORUS	11: Ensemble	*61 ROLL AROUND	8: Stereo 8 Phase Chorus
*12 FAST TIDES	12: Wave Chorus	*62 SLOW DEEP 8PHASE	8: Stereo 8 Phase Chorus
*13 VINTAGE CE-2	13: Vintage Chorus	*63 3PHASE CHORUS	8: Stereo 8 Phase Chorus
*14 ST.PAD FLANGER	14: Stereo Flanger	*64 THICK & RICH	9: 16 Phase Chorus
*15 SLOW CHURCH ST.	15: Rotary	*65 SLOW & RICH	9: 16 Phase Chorus
*16 SIZZLE ON TOP	16: Ambience Chorus	*66 THICK SPREAD	9: 16 Phase Chorus
*17 ALL AROUND CHORUS	1: Stereo Chorus	*67 SMOOTH SPREAD	9: 16 Phase Chorus
*18 SHIMMER 1	1: Stereo Chorus	*68 TREMOLOTION	9: 16 Phase Chorus
*19 SHIMMER 2	1: Stereo Chorus	*69 SHINING CHORUS	9: 16 Phase Chorus
*20 FAT TRIANGLE WAVE	1: Stereo Chorus	*70 HARMOCHORUS	10: Detune Chorus
*21 FAT SINE WAVE	1: Stereo Chorus	*71 DETUNE SHIMM.	10: Detune Chorus
*22 OLD VIBRATO	1: Stereo Chorus	*72 LIGHT DETUNE	10: Detune Chorus
*23 SUBTLE & WARM	1: Stereo Chorus	*73 FAT PIANO DETUNE	10: Detune Chorus
*24 RICH 3D CHORUS	2: Stereo 3D Chorus	*74 STRINGS ENSEMBLE	11: Ensemble
*25 SLAP 3D CHORUS	2: Stereo 3D Chorus	*75 E.PIANO ENSEMBLE	11: Ensemble
*26 SMOOTH 3D CHORUS	2: Stereo 3D Chorus	*76 ORGAN ENSEMBLE	11: Ensemble
*27 LIFTED CHORUS	2: Stereo 3D Chorus	*77 RHYTHM CUTTING	11: Ensemble
*28 WARM 3D CHORUS 1	2: Stereo 3D Chorus	*78 LUCY'S VIBE.	11: Ensemble
*29 WARM 3D CHORUS 2	2: Stereo 3D Chorus	*79 WAVEY CHORUS	12: Wave Chorus
*30 SLOW & WIDE	2: Stereo 3D Chorus	*80 RIPPLES	12: Wave Chorus
*31 TWINING AROUND	3: 3D Panner	*81 SLOW TIDES	12: Wave Chorus
*32 SPLASHING VIBES	3: 3D Panner	*82 VINTAGE CE-1	13: Vintage Chorus
*33 SPACE CHORUS	4: Space Chorus	*83 VINTAGE CE-3	13: Vintage Chorus
*34 3&4 PUSHED SDD	4: Space Chorus	*84 ST.HI-FLANGER 1	14: Stereo Flanger
*35 SLOW&FAST 2BAND	5: 2 Band Chorus	*85 ST.HI-FLANGER 2	14: Stereo Flanger
*36 HIGH VELO CHORUS	5: 2 Band Chorus	*86 ST.DEEP FLANGER	14: Stereo Flanger
*37 CROSSOVER BASS	5: 2 Band Chorus	*87 VELOCITY RESONATE	14: Stereo Flanger
*38 LOW SMOOTH 2BAND	5: 2 Band Chorus	*88 MODWHEEL FLANGER	14: Stereo Flanger
*39 LOW DEEP 2BAND	5: 2 Band Chorus	*89 GONNA GO MY WAY	14: Stereo Flanger
*40 EXPAND BASS 2BAND	5: 2 Band Chorus	*90 MODEL 147	15: Rotary
*41 CLEAN STRAT	5: 2 Band Chorus	*91 FAST CHURCH MONO	15: Rotary
*42 RICH AND BRIGHT	5: 2 Band Chorus	*92 SLOW OVERDRIVE	15: Rotary
*43 MID DEEP 3BAND	6: 3 Band Chorus	*93 FAST CHURCHEESE	15: Rotary
*44 LOW DEEP 3BAND	6: 3 Band Chorus	*94 FAT DRIVE	15: Rotary
*45 WIDE Strings3BAND	6: 3 Band Chorus	*95 DRY AMB CHORUS	16: Ambience Chorus
*46 FAST ON TOP	6: 3 Band Chorus	*96 WET AMB CHORUS	16: Ambience Chorus
*47 LO END BEEF	6: 3 Band Chorus	*97 LIGHT AMB CHORUS	16: Ambience Chorus
*48 3BAND SHIMMER	6: 3 Band Chorus	*98 DEEP AMB CHORUS	16: Ambience Chorus
*49 SLAPPIN'CHORUS 1	7: 4 Band Chorus	*99 SYMPHONIC BOOTH	16: Ambience Chorus
*50 SLAPPIN'CHORUS 2	7: 4 Band Chorus	*00 LIGHT WEIGHT AMB	16: Ambience Chorus

* : 0, 1 or 2

Apparatus containing Lithium batteries

ADVARSEL!

Lithiumbatteri - Eksplosionsfare ved fejlagtig håndtering.
Udskiftning må kun ske med batteri af samme fabrikat og type.
Levér det brugte batteri tilbage til leverandøren.

VARNING!

Explosionsfara vid felaktigt batteribyte.
Använd samma batterityp eller en ekvivalent typ som rekommenderas av apparattillverkaren.
Kassera använt batteri enligt fabrikantens instruktion.

ADVARSEL!

Lithiumbatteri - Eksplosjonsfare.
Ved utskifting benyttes kun batteri som anbefalt av apparatfabrikanten.
Brukt batteri returneres apparatleverandøren.

VAROITUS!

Paristo voi räjähtää, jos se on virheellisesti asennettu.
Vaihdä paristo ainoastaan laitevalmistajan suosittelemaan tyyppiin. Hävitä käytetty paristo valmistajan ohjeiden mukaisesti.

Bescheinigung des Herstellers/Importeurs

Hiermit wird bescheinigt, daß der/die/das
Roland Dimensional Expander SDX-330

(Gerät, Typ, Bezeichnung)

in Übereinstimmung mit den Bestimmungen der BMPT-AmtsblVfg 243/1991 funk-entstört ist. Der vorschriftsmäßige Betrieb mancher Geräte (z. B. Meßsender) kann allerdings gewissen Einschränkungen unterliegen. Beachten Sie deshalb die Hinweise in der Bedienungsanleitung.

Dem Zentralamt für Zulassungen im Fernmeldewesen wurde das Inverkehrbringen dieses Gerätes angezeigt und die Berechtigung zur Überprüfung der Serie auf die Einhaltung der Bestimmungen eingeräumt.

Roland Corporation
4-16 Dojimahama 1-Chome Kita-ku Osaka 530 Japan

(Name und Anschrift des Herstellers/Importeurs)

FEDERAL COMMUNICATIONS COMMISSION RADIO FREQUENCY INTERFERENCE STATEMENT

This equipment has been tested and found to comply with the limits for a Class B digital device, pursuant to Part 15 of the FCC Rules. These limits are designed to provide reasonable protection against harmful interference in a residential installation. This equipment generates, uses, and can radiate radio frequency energy and, if not installed and used in accordance with the instructions, may cause harmful interference to radio communications. However, there is no guarantee that interference will not occur in a particular installation. If this equipment does cause harmful interference to radio or television reception, which can be determined by turning the equipment off and on, the user is encouraged to try to correct the interference by one or more of the following measures:

- Reorient or relocate the receiving antenna.
- Increase the separation between the equipment and receiver.
- Connect the equipment into an outlet on a circuit different from that to which the receiver is connected.
- Consult the dealer or an experienced radio/TV technician for help.

Unauthorized changes or modification to this system can void the users authority to operate this equipment.
This equipment requires shielded interface cables in order to meet FCC class B Limit.

CLASS B

This digital apparatus does not exceed the Class B limits for radio noise emissions set out in the Radio Interference Regulations of the Canadian Department of Communications.

NOTICE

CLASSE B

Cet appareil numérique ne dépasse pas les limites de la classe B au niveau des émissions de bruits radioélectriques fixés dans le Règlement des signaux parasites par le ministère canadien des Communications.

AVIS

 Roland®

70237856

UPC

70237856



10901


SOX-330
DEE-X05

Roland Corporation

70237856 '94-1-83-11SE