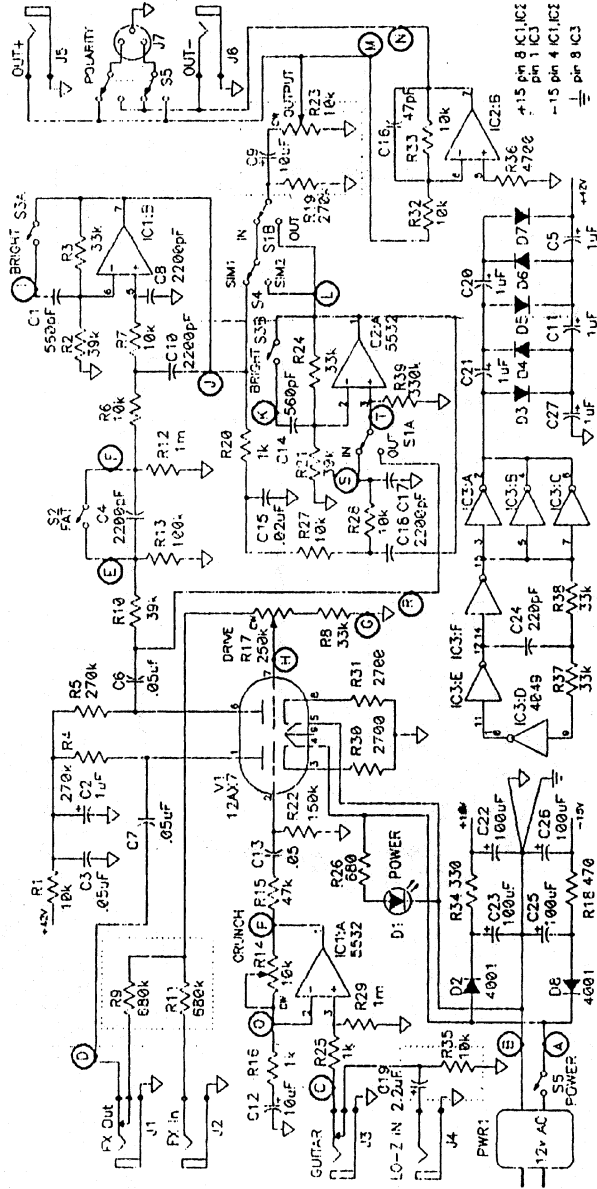
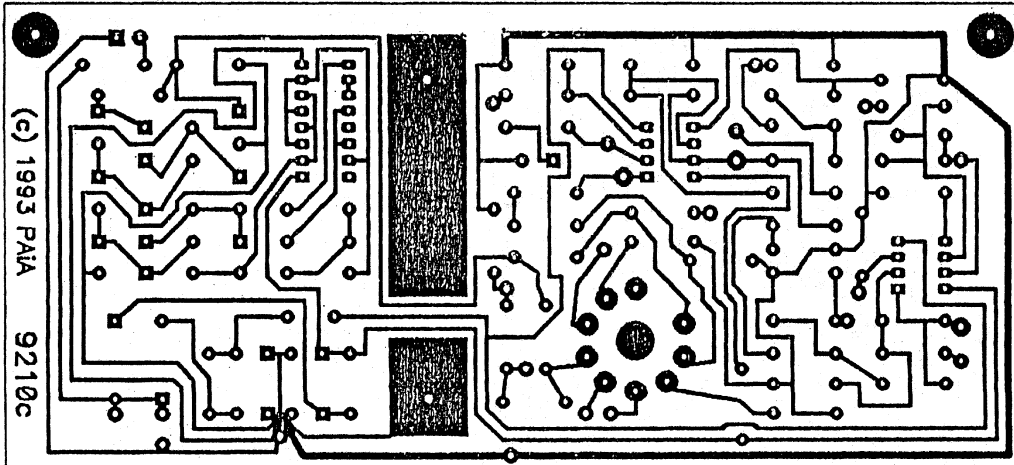


Stak-In-A-Box Parts List

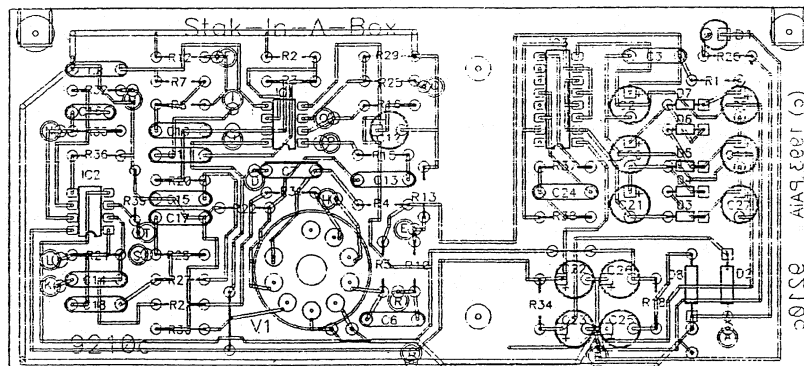
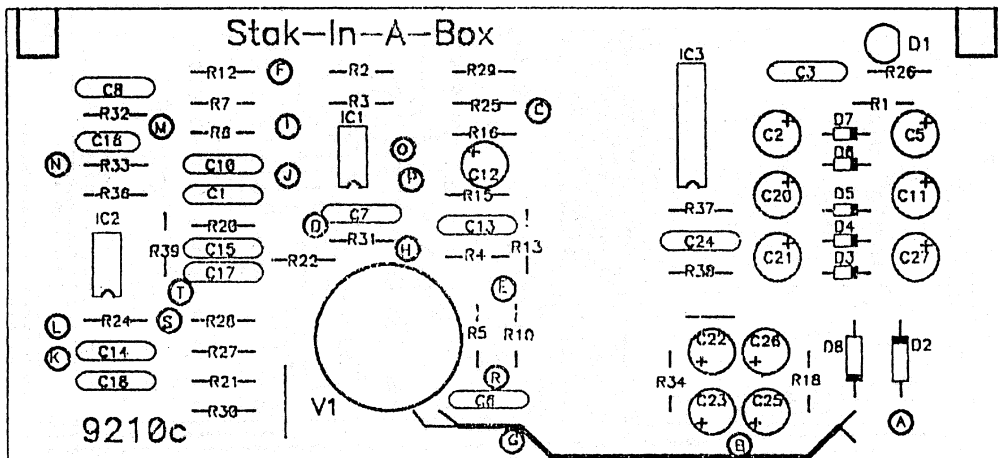
1	12AX7	Dual Triode
1	4049	CMOS Hex Inverter
2	5532	Dual Low Noise OpAmp
5	1N4148	Silicon Diodes
2	1N4001	Power Diodes
1	T1-3/4	red LED
1	.022 uF	Ceramic Disk Capacitor
4	.05 uF	"
5	2000 pF	"
1	220pF	"
1	47pF	"
2	560pF	Polystyrene Capacitor
4	100uF / 16V	Electrolytic Capacitor
2	10uF / 10V	"
6	1uF / 50V	"
1	2.2uF / 16V	"
1	100k 1/4w 5% resistors	
8	10k	
1	150k	
3	1k	
2	1m	
2	270k	
3	270k	
1	330	
1	330k	
5	33k	
3	39k	
1	470	
1	4700	
1	47k	
1	680	
2	680k	
2	10k Potentiometer	
1	250k Potentiometer	
6	DPDT Switches	
4	1/4" Open Circuit Phone Jack	
2	1/4" Closed Circuit Phone Jack	
1	Panel Mount Male XLR Connector	
1	12VAC 200mA Wall Mount Transformer	

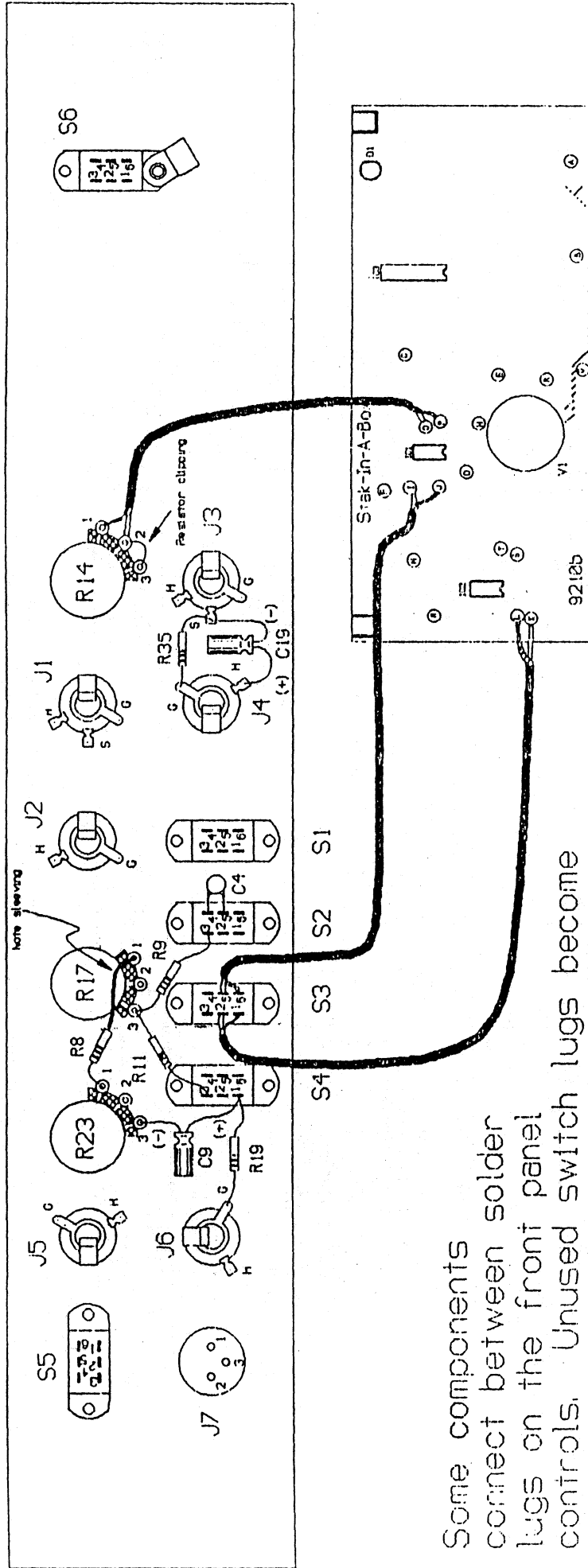


The Stak-In-A-Box schematic. Ports inside the dotted boarders are mounted off the circuit board.



All Illustrations (c) 1993 by PAiA Electronics, Inc.
 License granted for individual non-commercial use only.





Some components connect between solder lugs on the front panel controls. Unused solder lugs become tie points for junctions between wires and components. Shielded cable is used for noise sensitive wiring.