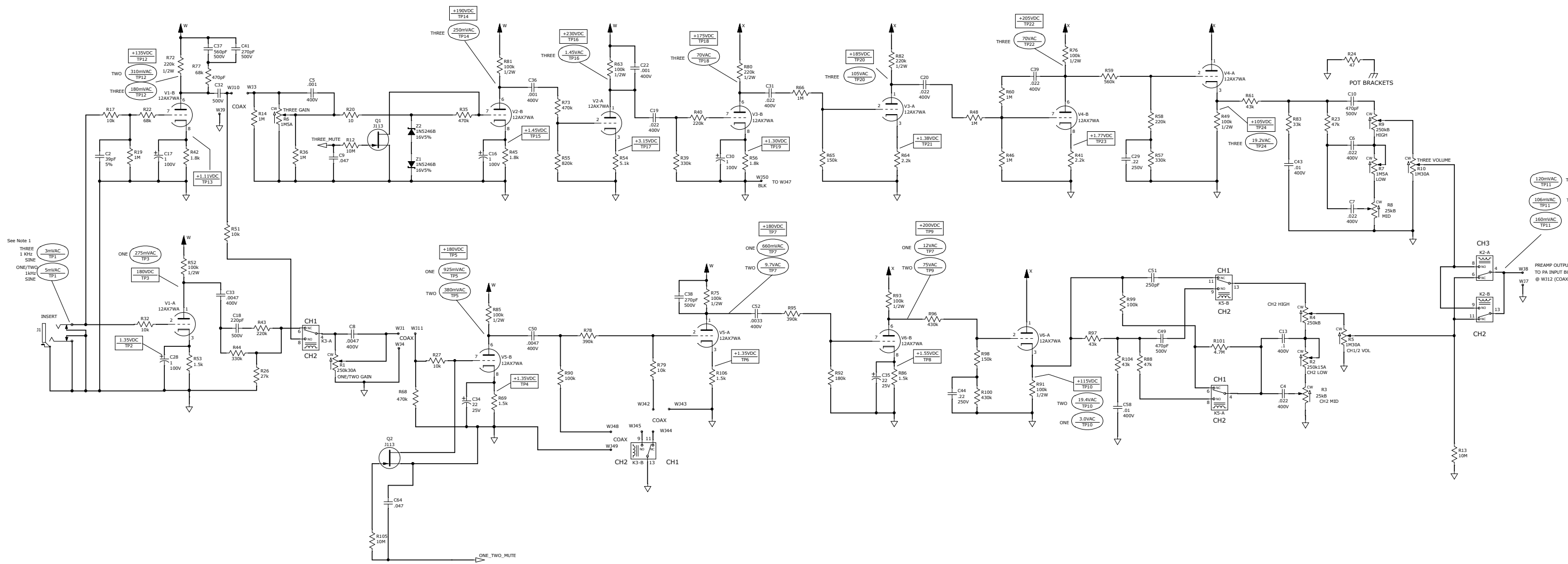


| REVISIONS |             |           |          |
|-----------|-------------|-----------|----------|
| REV.      | DESCRIPTION | DATE      | APPROVED |
| A         | PR2510      | 08-JAN-13 | H B K    |
| B         | EC5233      | 06-MAR-13 | H B K    |
| C         | EC5291      | 09-JUL-13 | H B K    |
| D         | EC5358      | 24-SEP-13 | H B K    |



See Note 1  
THREE  
1 kHz  
SINE  
ONE/TWO  
1kHz  
SINE

TEST POINT DATA REFERENCE

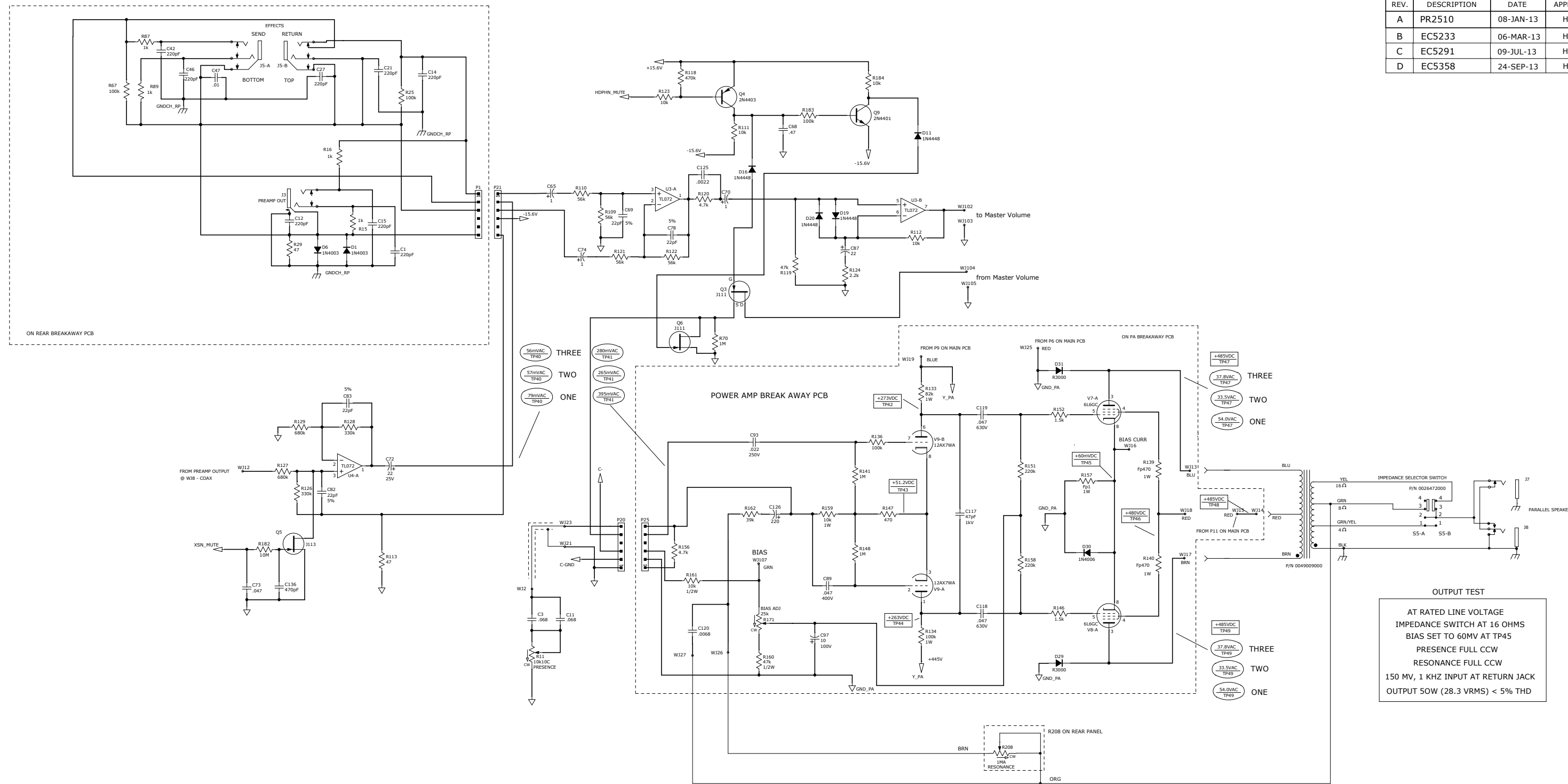
- AC TEST POINT DATA MEASURED AS FOLLOWS WITH A TRUE RMS METER:  
ONE - GAIN 1/2; VOL 1/2; TONE 1/2; PRESENCE 1/2  
TWO - GAIN 1/4; VOL 1/2; TONE 1/2; PRESENCE 1/2  
THREE - GAIN 1/4; VOL 1/4; TONE 1/2; PRESENCE 1/2  
MASTER VOLUME MAXIMUM  
REVERB LEVEL MAXIMUM
- DC TEST POINT DATA MEASURED WITH NO SIGNAL INPUT.

- THIS SCHEMATIC IS FOR PCB FABRICATION P/N 0096002000 AND PCB ASSEMBLY P/N 0096004000.
- ALL DIODES ARE 1N4448.
- ALL POLARIZED CAPACITORS IN uF, 20%; 50V MINIMUM.
- ALL UNPOLARIZED CAPACITORS IN uF, 10% OR BETTER; 50V MINIMUM. (POWER SUPPLY BYPASS CAPACITORS ARE 20%).

NOTES: (UNLESS OTHERWISE NOTED)

|   |                |   |                                   |
|---|----------------|---|-----------------------------------|
| THIS DOCUMENT CONTAINS INFORMATION OF A PROPRIETARY NATURE TO FENDER MUSICAL INSTRUMENTS AND IS SUBMITTED TO YOU IN CONFIDENCE AND SHALL NOT BE DISCLOSED OR TRANSMITTED TO OTHERS WITHOUT AUTHORIZATION FROM FENDER MUSICAL INSTRUMENTS. |                | <b>MUSICAL INSTRUMENTS</b><br>Corona, CA U.S.A. |                                   |
| CHECKED BY:   | DATE:          |   |                                   |
| APPROVED BY:  | DATE:          | SIZE: <b>D</b>                                  | DRAWING NUMBER: <b>0096005000</b> |
| DRAWN: H.KAPLAN   | ENGR: H.KAPLAN | RELEASE DATE: 08-JAN-13                         | REV. <b>D</b> SHEET: 1 OF 6       |

| REVISIONS |             |           |          |
|-----------|-------------|-----------|----------|
| REV.      | DESCRIPTION | DATE      | APPROVED |
| A         | PR2510      | 08-JAN-13 | H B K    |
| B         | EC5233      | 06-MAR-13 | H B K    |
| C         | EC5291      | 09-JUL-13 | H B K    |
| D         | EC5358      | 24-SEP-13 | H B K    |



TEST POINT DATA REFERENCE

- AC TEST POINT DATA MEASURED AS FOLLOWS WITH A TRUE RMS METER:
  - ONE - GAIN 1/2; VOL 1/2; TONE 1/2; PRESENCE 1/2
  - TWO - GAIN 1/4; VOL 1/2; TONE 1/2; PRESENCE 1/2
  - THREE - GAIN 1/4; VOL 1/4; TONE 1/2; PRESENCE 1/2
- DC TEST POINT DATA MEASURED WITH NO SIGNAL INPUT.

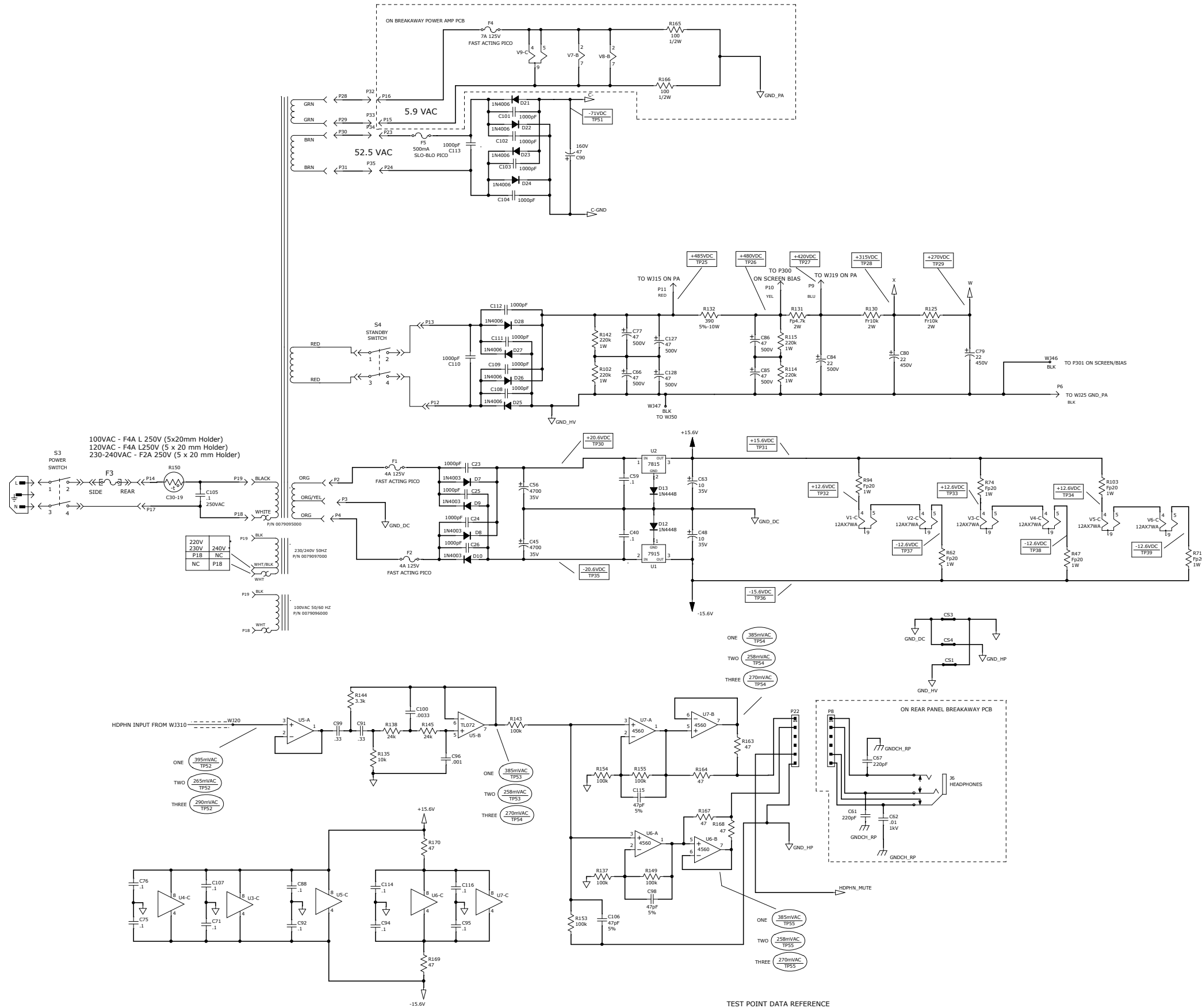
- THIS SCHEMATIC IS FOR PCB FABRICATION P/N 0096002000 AND PCB ASSEMBLY P/N 0096004000.
- ALL DIODES ARE 1N4448.
- ALL POLARIZED CAPACITORS IN uF, 20%; 50V MINIMUM.
- ALL UNPOLARIZED CAPACITORS IN uF, 10% OR BETTER; 50V MINIMUM.
- (POWER SUPPLY BYPASS CAPACITORS ARE 20%).
- ALL RESISTORS IN OHMS, 5%; 1/4W.

NOTES: (UNLESS OTHERWISE NOTED)

**OUTPUT TEST**  
 AT RATED LINE VOLTAGE  
 IMPEDANCE SWITCH AT 16 OHMS  
 BIAS SET TO 60MV AT TP45  
 PRESENCE FULL CCW  
 RESONANCE FULL CCW  
 150 MV, 1 KHZ INPUT AT RETURN JACK  
 OUTPUT 50W (28.3 VRMS) < 5% THD

|   |                |   |                                   |
|---|----------------|---|-----------------------------------|
| THIS DOCUMENT CONTAINS INFORMATION OF A PROPRIETARY NATURE TO FENDER MUSICAL INSTRUMENTS AND IS SUBMITTED TO YOU IN CONFIDENCE AND SHALL NOT BE DISCLOSED OR TRANSMITTED TO OTHERS WITHOUT AUTHORIZATION FROM FENDER MUSICAL INSTRUMENTS. |                | <b>MUSICAL INSTRUMENTS</b><br>Corona, CA U.S.A. |                                   |
| CHECKED BY:   | DATE:          |   |                                   |
| APPROVED BY:  | DATE:          | SIZE: <b>D</b>                                  | DRAWING NUMBER: <b>0096005000</b> |
| DRAWN: H.KAPLAN   | ENGR: H.KAPLAN | RELEASE DATE: 08-JAN-13                         | SHEET: 2 OF 6                     |

| REVISIONS |             |           |          |
|-----------|-------------|-----------|----------|
| REV.      | DESCRIPTION | DATE      | APPROVED |
| A         | PR2510      | 08-JAN-13 | H B K    |
| B         | EC5233      | 06-MAR-13 | H B K    |
| C         | EC5291      | 09-JUL-13 | H B K    |
| D         | EC5358      | 24-SEP-13 | H B K    |



TEST POINT DATA REFERENCE

1. AC TEST POINT DATA MEASURED AS FOLLOWS WITH A TRUE RMS METER:  
 ONE - GAIN 1/2; VOL 1/2; TONE 1/2; PRESENCE 1/2  
 TWO - GAIN 1/4; VOL 1/4; TONE 1/4; PRESENCE 1/2  
 THREE - GAIN 1/4; VOL 1/4; TONE 1/2; PRESENCE 1/2  
 MASTER VOLUME MAXIMUM  
 REVERB LEVEL MAXIMUM

2. DC TEST POINT DATA MEASURED WITH NO SIGNAL INPUT.

5. THIS SCHEMATIC IS FOR PCB FABRICATION P/N 0096002000 AND PCB ASSEMBLY P/N 0096004000.  
 4. ALL DIODES ARE 1N4448.  
 3. ALL POLARIZED CAPACITORS IN uF, 20%; 50V MINIMUM.  
 2. ALL UNPOLARIZED CAPACITORS IN uF, 10% OR BETTER; 50V MINIMUM. (POWER SUPPLY BYPASS CAPACITORS ARE 20%).  
 1. ALL RESISTORS IN OHMS, 5%; 1/4W.

NOTES: (UNLESS OTHERWISE NOTED)

THIS DOCUMENT CONTAINS INFORMATION OF A PROPRIETARY NATURE TO FENDER MUSICAL INSTRUMENTS AND IS SUBMITTED TO YOU IN CONFIDENCE AND SHALL NOT BE DISCLOSED OR TRANSMITTED TO OTHERS WITHOUT AUTHORIZATION FROM FENDER MUSICAL INSTRUMENTS.

**Fender** MUSICAL INSTRUMENTS  
 Corona, CA U.S.A.

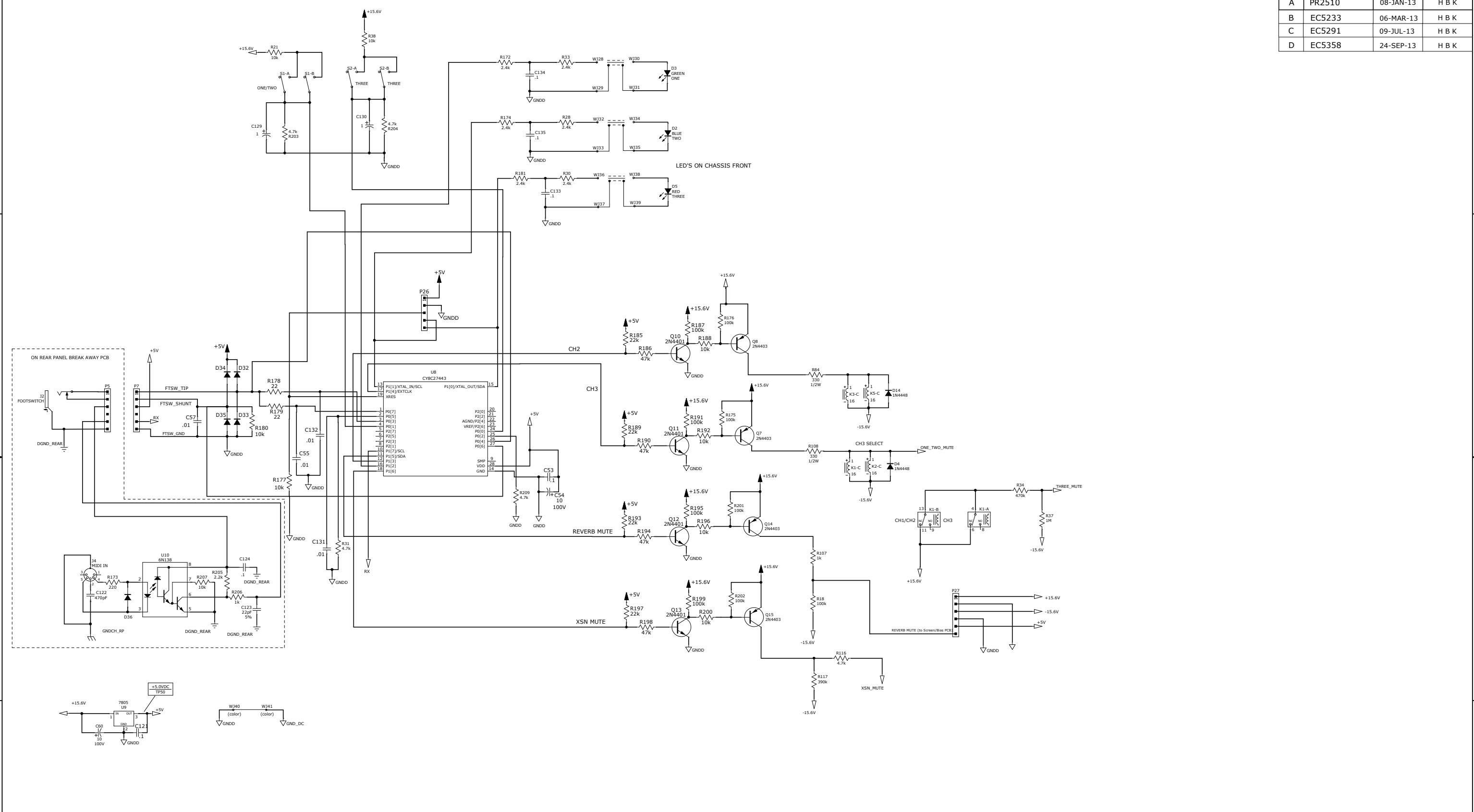
CHECKED BY: \_\_\_\_\_ DATE: \_\_\_\_\_  
 APPROVED BY: \_\_\_\_\_ DATE: \_\_\_\_\_  
 DRAWN: H.KAPLAN ENGR: H.KAPLAN DATABASE FILE: Z2510S1.SCH

TITLE: SERVICE DIAGRAM, COMBINED (schematic)  
 EVH 5150III 2X12 COMBO  
 MAIN PCB

|      |                |      |
|------|----------------|------|
| SIZE | DRAWING NUMBER | REV. |
| D    | 0096005000     | D    |

RELEASE DATE: 08-JAN-13 SHEET: 3 OF 6

| REVISIONS |             |           |          |
|-----------|-------------|-----------|----------|
| REV.      | DESCRIPTION | DATE      | APPROVED |
| A         | PR2510      | 08-JAN-13 | H B K    |
| B         | EC5233      | 06-MAR-13 | H B K    |
| C         | EC5291      | 09-JUL-13 | H B K    |
| D         | EC5358      | 24-SEP-13 | H B K    |

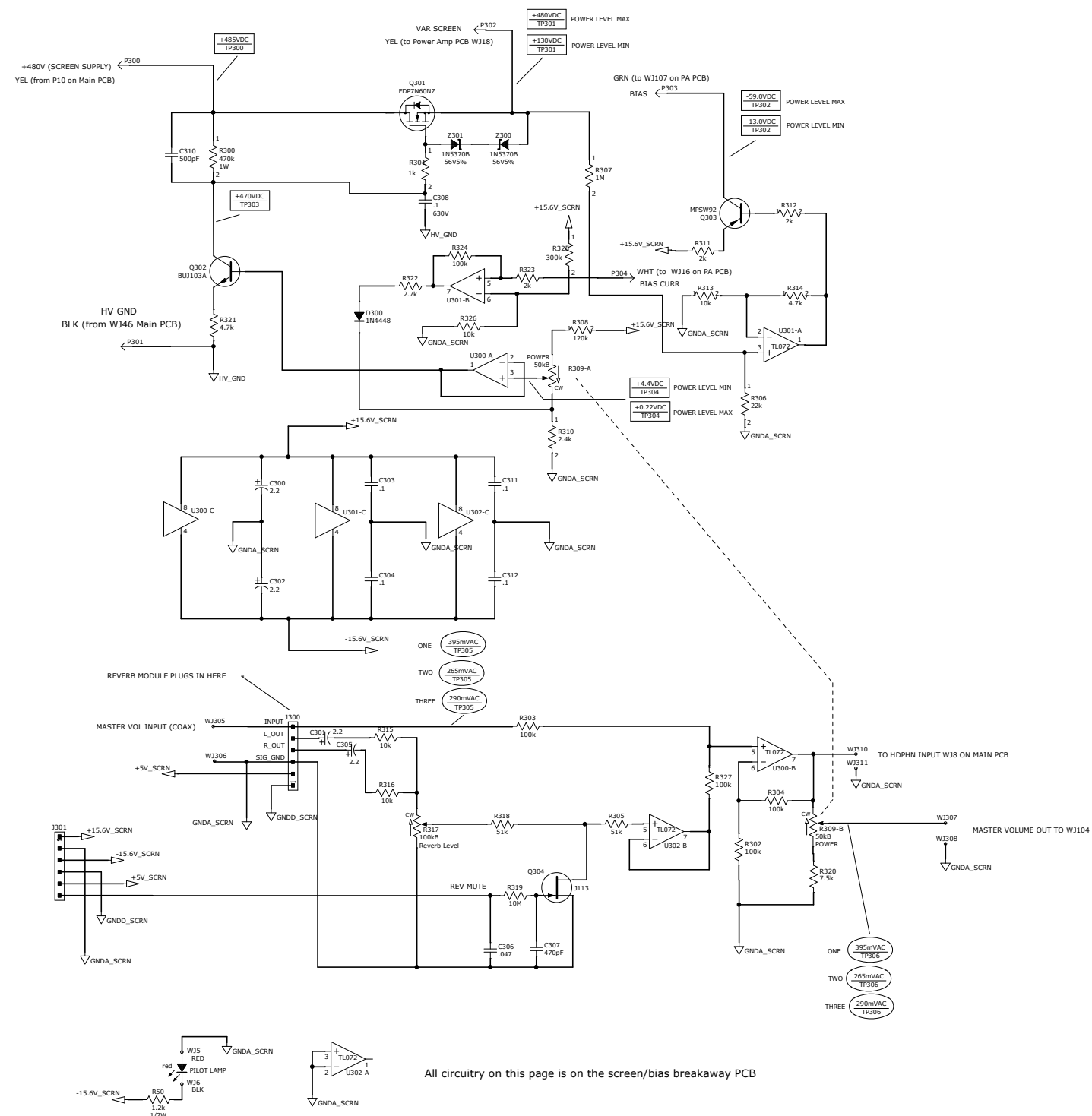


TEST POINT DATA REFERENCE  
 1. AC TEST POINT DATA MEASURED AS FOLLOWS WITH A TRUE RMS METER:  
 ONE - GAIN 1/2; VOL 1/2; TONE 1/2; PRESENCE 1/2  
 TWO - GAIN 1/4; VOL 1/2; TONE 1/2; PRESENCE 1/2  
 THREE - GAIN 1/4; VOL 1/4; TONE 1/2; PRESENCE 1/2  
 MASTER VOLUME MAXIMUM  
 REVERB LEVEL MAXIMUM  
 2. DC TEST POINT DATA MEASURED WITH NO SIGNAL INPUT.

5. THE SCHEMATIC FOR PCB FABRICATION P/N 0096002000 AND PCB ASSEMBLY 0096004000.  
 4. ALL DIODES ARE 1N4448.  
 3. ALL POLARIZED CAPACITORS IN uF, 20%, 50V MINIMUM  
 2. ALL UNPOLARIZED CAPACITORS IN uF, 10% OR BETTER, 50V MINIMUM.  
 (POWER SUPPLY BYPASS CAPACITORS ARE 20%)  
 1. ALL RESISTORS IN OHMS, 5%, 1/4W  
 NOTES: (UNLESS OTHERWISE NOTED)

|   |   |  |               |
|---|---|--|---------------|
| THIS DOCUMENT CONTAINS INFORMATION OF A PROPRIETARY NATURE TO FENDER MUSICAL INSTRUMENTS AND IS SUBMITTED TO YOU IN CONFIDENCE AND SHALL NOT BE DISCLOSED OR TRANSMITTED TO OTHERS WITHOUT AUTHORIZATION FROM FENDER MUSICAL INSTRUMENTS. |   | <b>Fender</b> MUSICAL INSTRUMENTS<br>Corona, CA U.S.A. |               |
| CHECKED BY: _____   | TITLE: SERVICE DIAGRAM, COMBINED (PCB Assy)<br>EVH 5150III 2X12 COMBO<br>MAIN PCB |  |               |
| DATE: _____   | SIZE: <b>D</b>  | DRAWING NUMBER: <b>0096005000</b>                      | REV: <b>D</b> |
| APPROVED BY: _____  | DRAWN: H. KAPLAN ENGR: H. KAPLAN  |  |               |
| DATE: _____   | DATABASE FILE: 22510S1.SCH  |  |               |
| RELEASE DATE: 08-JAN-13   |   | SHEET 4 OF 6   |               |

| REVISIONS |             |           |          |
|-----------|-------------|-----------|----------|
| REV.      | DESCRIPTION | DATE      | APPROVED |
| A         | PR2510      | 08-JAN-13 | H B K    |
| B         | EC5233      | 06-MAR-13 | H B K    |
| C         | EC5291      | 09-JUL-13 | H B K    |
| D         | EC5358      | 24-SEP-13 | H B K    |



TEST POINT DATA REFERENCE

- AC TEST POINT DATA MEASURED AS FOLLOWS WITH A TRUE RMS METER:
  - ONE - GAIN 1/2; VOL 1/2; TONE 1/2; PRESENCE 1/2
  - TWO - GAIN 1/4; VOL 1/2; TONE 1/2; PRESENCE 1/2
  - THREE - GAIN 1/4; VOL 1/4; TONE 1/2; PRESENCE 1/2
  - MASTER VOLUME MAXIMUM
  - REVERB LEVEL MAXIMUM
- DC TEST POINT DATA MEASURED WITH NO SIGNAL INPUT.

6. DO NOT STUFF

- THIS SCHEMATIC IS FOR PCB FABRICATION P/N 0096002000 AND PCB ASSEMBLY P/N 0096004000.
- ALL UNPOLARIZED CAPACITORS IN  $\mu$ F, 10% OR BETTER; 50V MINIMUM. (POWER SUPPLY BYPASS CAPACITORS ARE 20%).
- ALL POLARIZED CAPACITORS IN  $\mu$ F, 20%; 50V MINIMUM.

1. ALL RESISTORS IN OHMS, 5%; 1/4W.  
NOTES: (UNLESS OTHERWISE NOTED)

|   |                |   |                                   |
|---|----------------|---|-----------------------------------|
| THIS DOCUMENT CONTAINS INFORMATION OF A PROPRIETARY NATURE TO FENDER MUSICAL INSTRUMENTS AND IS SUBMITTED TO YOU IN CONFIDENCE AND SHALL NOT BE DISCLOSED OR TRANSMITTED TO OTHERS WITHOUT AUTHORIZATION FROM FENDER MUSICAL INSTRUMENTS. |                | <b>MUSICAL INSTRUMENTS</b><br>Corona, CA U.S.A. |                                   |
| CHECKED BY: _____   | DATE: _____    |   |                                   |
| APPROVED BY: _____  | DATE: _____    | SIZE: _____                                     | DRAWING NUMBER: <b>0096005000</b> |
| DRAWN: H.KAPLAN   | ENGR: H.KAPLAN | RELEASE DATE: 08-JAN-13                         | SHEET: 5 OF 6                     |