

Portable Speakers

EUROLIVE B315D

Active 550-Watt 2-Way PA
Speaker System with 15" Woofer and
1.75" Titanium Compression Driver

- High-power 550-Watt 2-way PA sound reinforcement speaker system for live and playback applications
- Ultra-compact and light weight system delivers excellent sound even at extreme sound pressure levels
- Revolutionary Class-D amplifier technology: enormous power, incredible sonic performance and super-light weight
- Internal switch-mode power supply for noise-free audio, superior transient response and very low power consumption
- Integrated sound processor for ultimate system control and speaker protection
- Extremely powerful 15" long-excursion driver provides incredibly deep bass and acoustic power
- State-of-the-art 1.75" titanium-diaphragm compression driver for exceptional high-frequency reproduction
- Ultra-wide dispersion, large-format exponential horn
- Ultra-low noise Mic/Line input with Volume control and Clip LED
- Dedicated 2-band EQ for perfect sound adjustment
- Additional Line output allows linking of additional speaker systems



The EUROLIVE B315D active loudspeaker is exactly what you've come to expect from BEHRINGER – more power, more features and absolutely more affordable! Our engineers have really outdone themselves, creating a self-contained PA solution that merges state-of-the-art, 550-Watt Class-D power amp technology, an ultra-low noise Mic/Line input section with volume control, integrated DSP – and exceptional portability. Then we loaded the B315D with our best 15" long-excursion driver for incredibly deep bass, and a state-of-the-art 1.75" titanium-diaphragm compression driver for exceptional high-frequency reproduction. The B315D professional active loudspeaker is destined to become a legend in its own right, alongside the other EUROLIVE models that have made BEHRINGER the world leader in active loudspeakers.

Portable Speakers

EUROLIVE

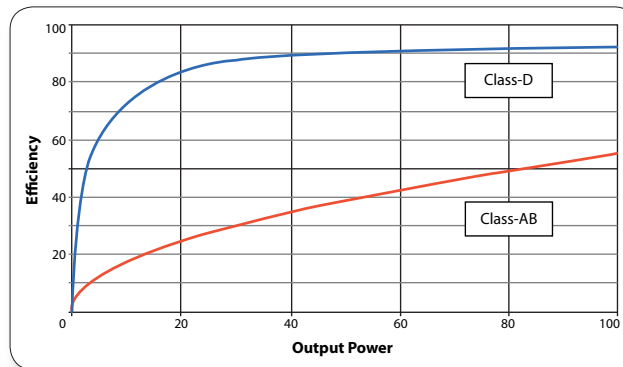
B315D

Active 550-Watt 2-Way PA
Speaker System with 15" Woofer and
1.75" Titanium Compression Driver

- Versatile trapezoidal enclosure design allows different positioning:
 - Stand mounting with 35-mm pole socket
 - Tilts on its side for use as a floor monitor
- Ergonomically shaped handles for easy carrying and setup
- High-quality components and exceptionally rugged construction ensure long life
- 3-Year Warranty Program*
- Conceived and designed by BEHRINGER Germany

Class-D - Massive Power, Perfect Sound

Thanks to our revolutionary Class-D amplifier technology, we are able to provide you with enormous power and incredible sonic performance in an easy-to-use, ultra-portable and lightweight package. Class-D amplification makes all the difference, offering the ultimate in energy efficiency and eliminating the need for heavy power supplies and massive heat sinks. This amazing technology makes it possible to design and build extremely powerful products that are significantly lighter in weight than their traditional counterparts, while using less energy and protecting the environment.



Cut the Fat; Keep the Beef

We drew from our considerable experience to build the B315D performance-grade loudspeaker and made it lighter (57.8 lbs/26.2 kg) and more powerful. With custom-engineered Class-D power amps for the ultimate in power and efficiency, backed by SMPS (Switch Mode Power Supply) technology – the high-tech alternative to heavy transformers and massive heat sinks – your B315D loudspeaker can run cool all day and all night without even breaking a sweat – or your back!



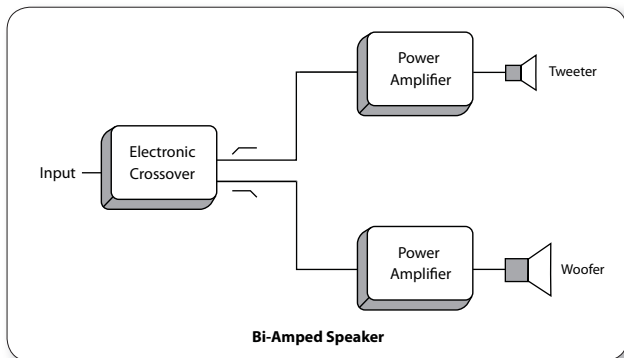
*Warranty details can be found at music-group.com.

Portable Speakers

EUROLIVE

B315D

Active 550-Watt 2-Way PA
Speaker System with 15" Woofer and
1.75" Titanium Compression Driver



Bi-Amplification - The Path to Absolute Signal Integrity

With its 550 ultra-clean Watts of digital output delivered through separately-powered drivers, courtesy of true bi-amping (2 amplifiers per speaker system), the B315D delivers high-resolution sound that really brings out the best in your music. While some of our competitors apply simple passive crossovers, which inaccurately separates the frequency spectrum and degrade driver performance, BEHRINGER has gone the extra mile – driving each woofer and tweeter with a separate amplifier for absolute signal integrity.

Custom-Engineered Transducers

Powerful, high-efficiency Class-D amplifiers and Switch Mode Power Supply technology coupled with state-of-the-art DSP functionality sure sounds impressive—but what about the part of the system you actually hear? Our LF (Low Frequency) and HF (High Frequency) transducers are designed specifically for each application – it's what sets us apart from the competition. When you buy a BEHRINGER active loudspeaker, you can rest assured the transducers inside have been engineered to perform flawlessly with every other element for truly professional results. The B315D cranks out massive quantities of low end, with articulate, detailed mids and crystal-clear highs.



Extraordinarily Versatile

Thanks to its trapezoidal shape, the B315D is suitable for a wide variety of applications, such as mounting on standard speaker poles, vertical placement atop subwoofers, or even laid on the side for use as onstage monitor wedges. The B315D's extraordinary fidelity and frequency response make it a favorite of vocalists and instrumentalists alike. Hookup is simple, requiring only a single XLR or ¼" cable from your mixing console and power. Additional active monitors can be chained together via the XLR Link Output jack on the rear panel.

Portable Speakers

EUROLIVE B315D

Active 550-Watt 2-Way PA
Speaker System with 15" Woofer and
1.75" Titanium Compression Driver

Which Speaker Should I Buy?

Well, let's start with your application... are you giving a speech in a hotel ballroom – or rocking out at the local bar or dance club? Whether to choose one speaker cabinet over another depends on your bass requirements. A 15" woofer has about 40% more surface area with which to move air than a 12" and that translates into more bass. So if you're addressing a small meeting, or jamming at the coffee house, the B312D might be all you'll ever need. But if you're providing disco in a busy nightclub, hosting Karaoke night in your living room, or just need to crank it up louder, then the B315D may be a better choice.



Sound Value

The BEHRINGER B315D active PA loudspeaker stands head and shoulders above the rest of the pack and delivers exceptional performance, even when pushed to the limit. Lightweight and powerful, with an integrated sound processor, 550-Watt bi-amplified Class-D power and custom-designed transducers, the B315D active loudspeaker is ideal for both speech and music applications – at a price that is unheard of in this class.

Experience the B315D at your local dealer today and find out why more and more professionals are turning to BEHRINGER EUROLIVE Series active loudspeakers for their superb performance and extraordinary value.

You Are Covered

We always strive to provide the best possible Customer Experience. Our products are made in our own MUSIC Group factory using state-of-the-art automation, enhanced production workflows and quality assurance labs with the most sophisticated test equipment available in the world. As a result, we have one of the lowest product failure rates in the industry, and we confidently back it up with a generous [3-Year Warranty program](#).



Portable Speakers

EUROLIVE B315D

Active 550-Watt 2-Way PA
Speaker System with 15" Woofer and
1.75" Titanium Compression Driver



Portable Speakers

EUROLIVE B315D

Active 550-Watt 2-Way PA
Speaker System with 15" Woofer and
1.75" Titanium Compression Driver



Portable Speakers

EUROLIVE B315D

Active 550-Watt 2-Way PA
Speaker System with 15" Woofer and
1.75" Titanium Compression Driver



For service, support or more information contact the BEHRINGER location nearest you:

Europe
MUSIC Group Services UK
 Tel: +44 156 273 2290
 Email: CARE@music-group.com

USA/Canada
MUSIC Group Services NV Inc.
 Tel: +1 702 800 8290
 Email: CARE@music-group.com

Japan
MUSIC Group Services JP K.K.
 Tel.: +81 3 6231 0454
 Email: CARE@music-group.com

MUSIC Group accepts no liability for any loss which may be suffered by any person who relies either wholly or in part upon any description, photograph, or statement contained herein. Technical specifications, appearances and other information are subject to change without notice. All trademarks are the property of their respective owners. MIDAS, KLARK TEKNIK, TURBOSOUND, BEHRINGER, BUGERA and DDA are trademarks or registered trademarks of MUSIC Group IP Ltd. © MUSIC Group IP Ltd. 2014 All rights reserved.

