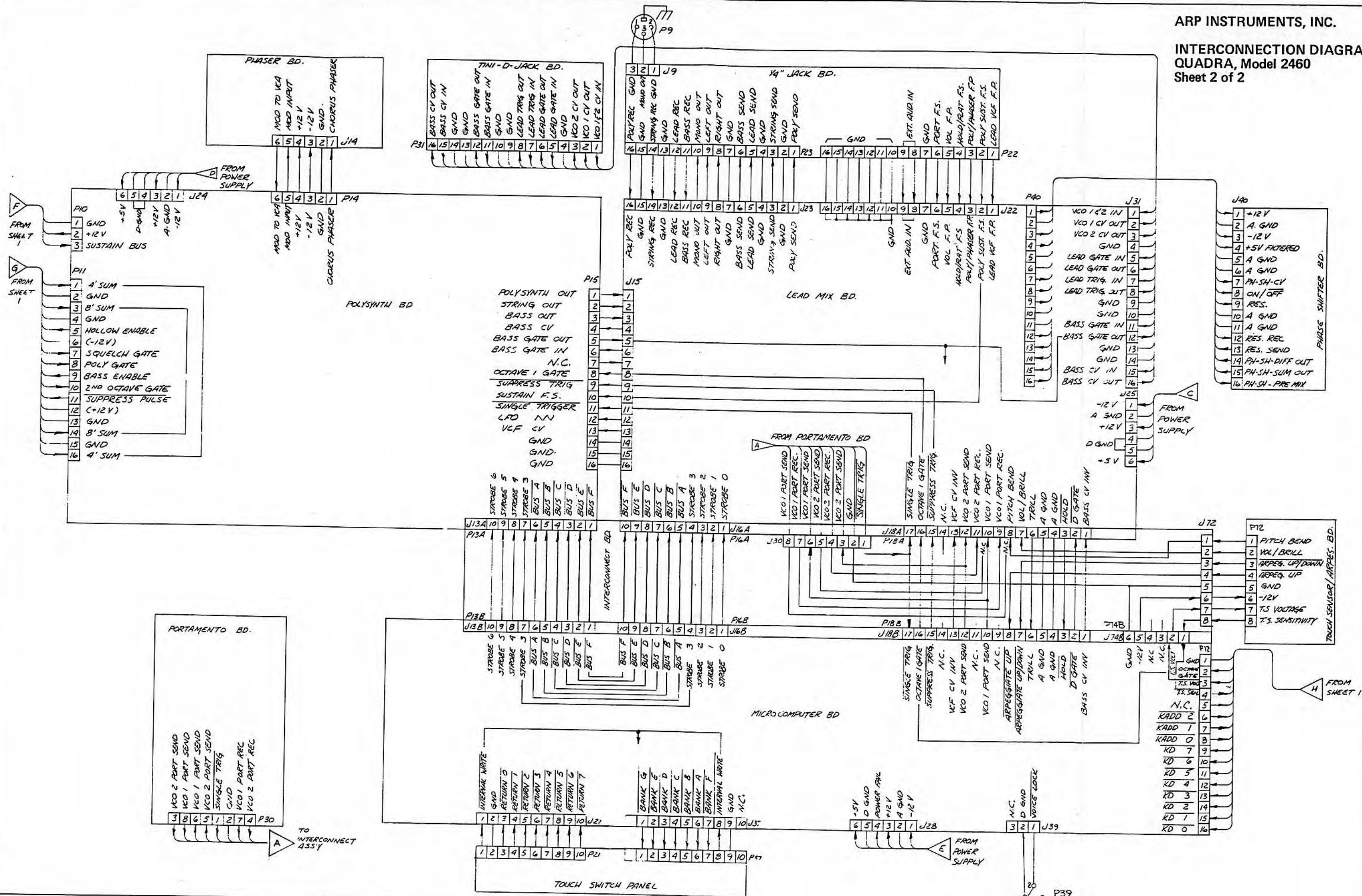
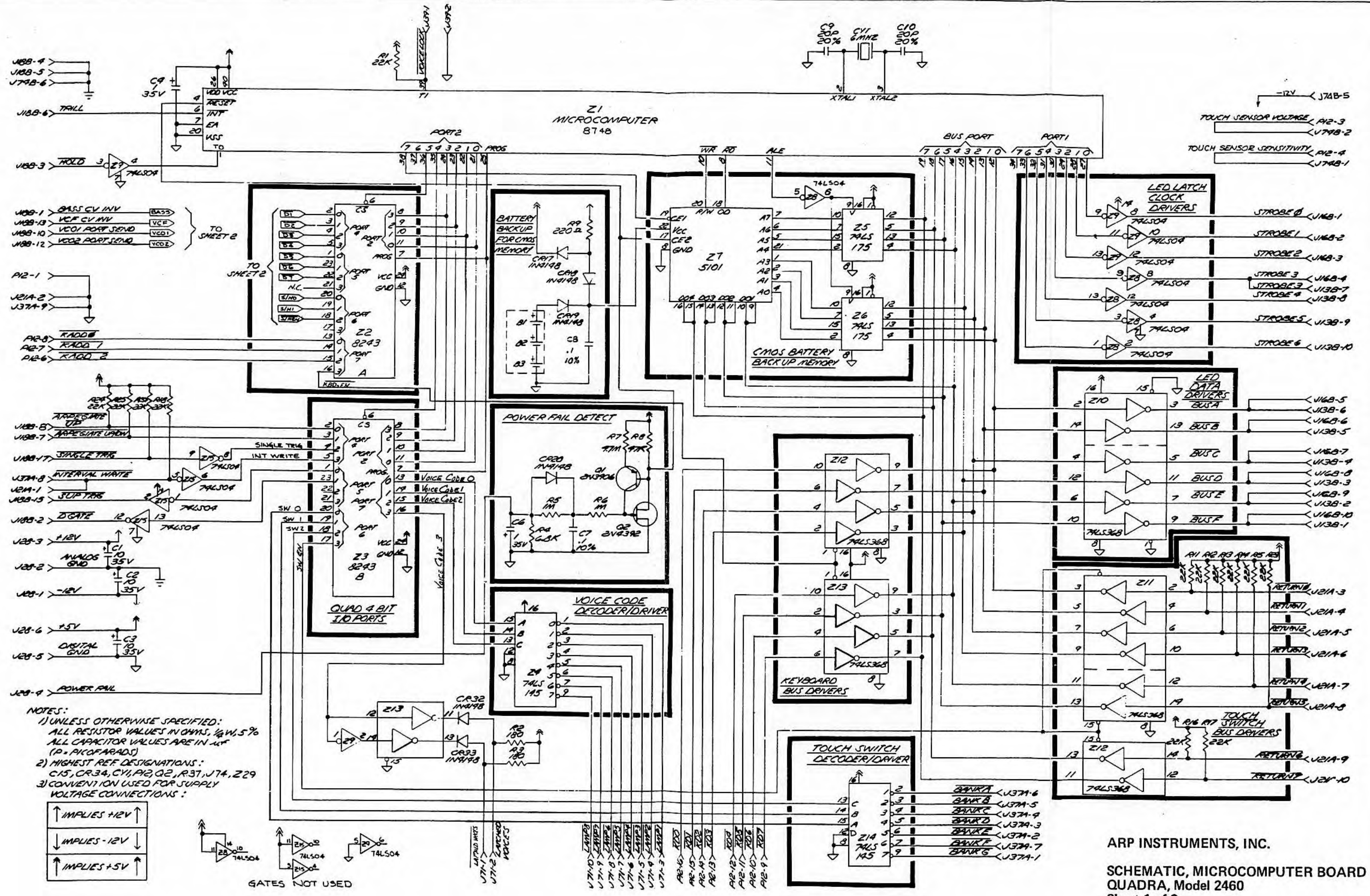
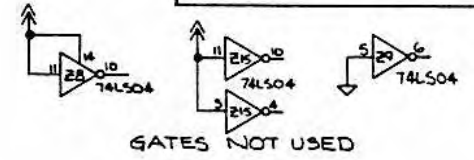
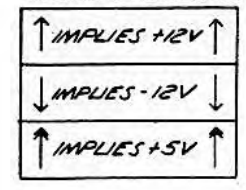


ARP INSTRUMENTS, INC.
 INTERCONNECTION DIAGRAM
 QUADRA, Model 2460
 Sheet 1 of 2





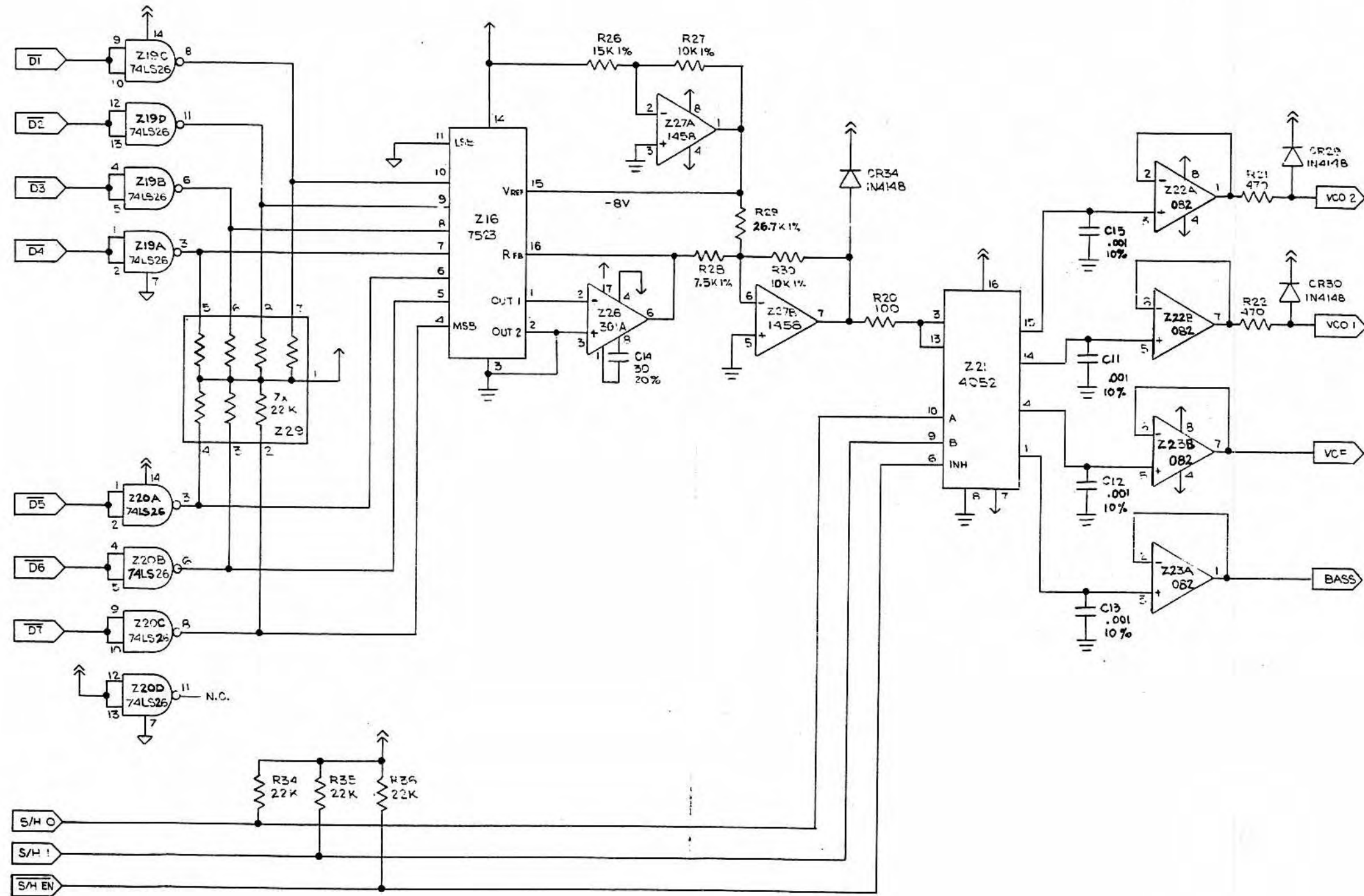
- NOTES:
- 1) UNLESS OTHERWISE SPECIFIED:
ALL RESISTOR VALUES IN OHMS, 1/4W, 5%
ALL CAPACITOR VALUES ARE IN μ F
(10 = PICOFARADS)
 - 2) HIGHEST REF DESIGNATIONS:
C15, CR34, CV1, P12, Q2, R37, J74, Z29
 - 3) CONVENTION USED FOR SUPPLY
VOLTAGE CONNECTIONS:



GATES NOT USED

ARP INSTRUMENTS, INC.
SCHEMATIC, MICROCOMPUTER BOARD
QUADRA, Model 2460
Sheet 1 of 2

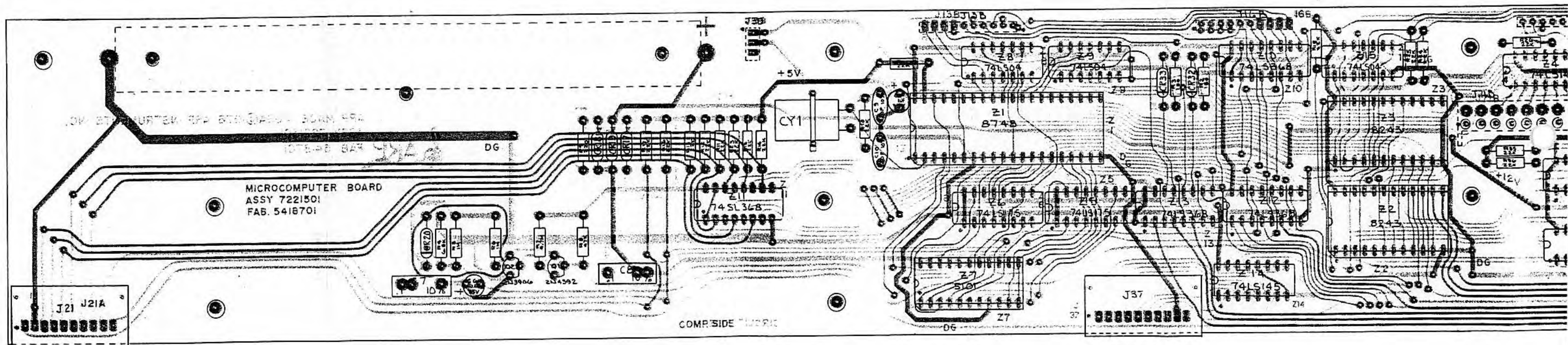
FROM SHEET 1

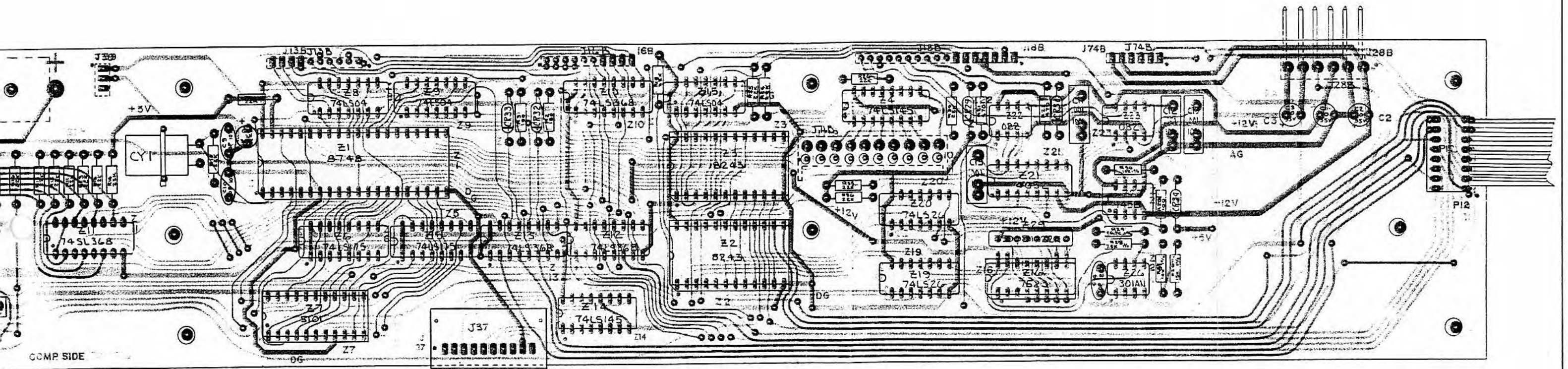


TO SHEET 1

ARP INSTRUMENTS, INC.

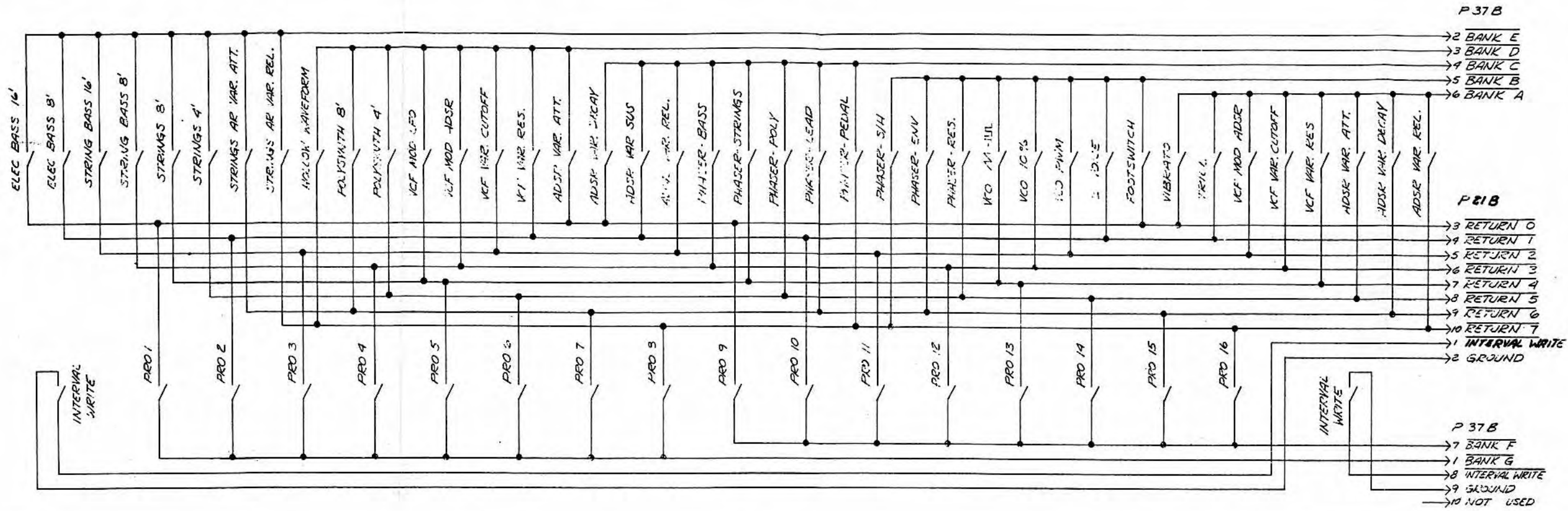
SCHEMATIC, MICROCOMPUTER BOARD
QUADRA, Model 2460
Sheet 2 of 2





ARP INSTRUMENTS, INC.
 ASSEMBLY, MICROCOMPUTER BOARD
 QUADRA, Model 2460

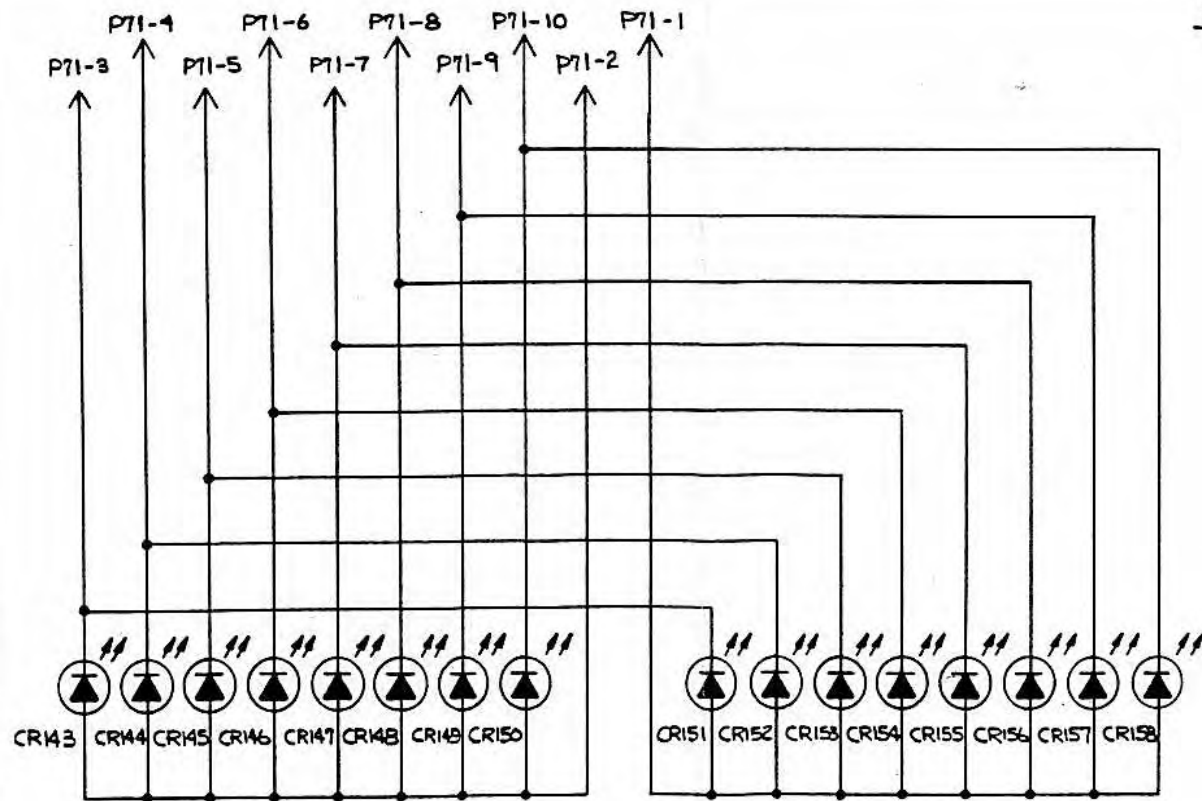
SWITCH ARRAY



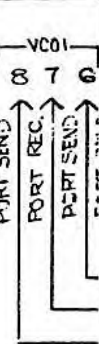
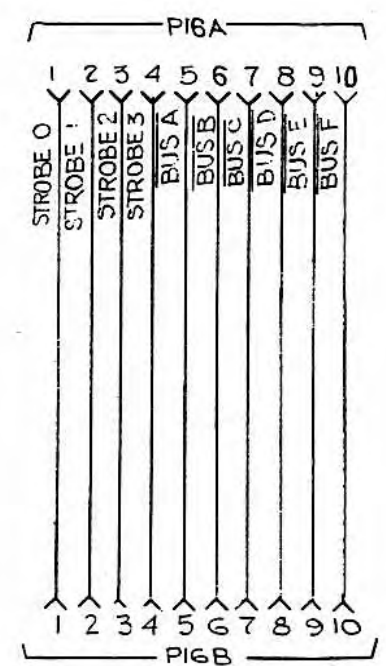
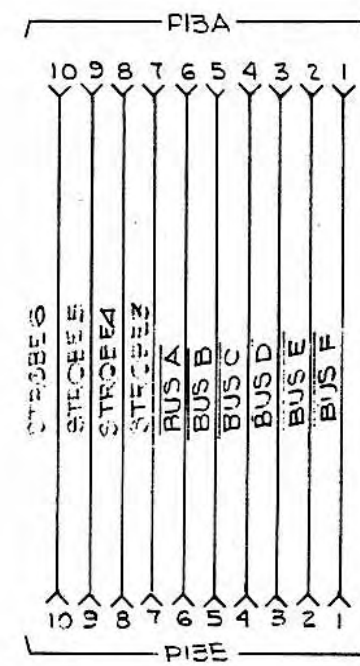
LATCH CODE - POLYSYNTH FUNCTION	DATA BUS	REC
ELEC BASS 16'	C	6
ELEC BASS 8'	D	6
STRING BASS 16'	E	6
STRING BASS 8'	F	6
STRINGS 8'	A	5
STRINGS 4'	B	5
STRING AR VAR ATT	C	5
STRING AR VAR REL	D	5
HOLLOW WAVEFORM	F	4
POLYSYNTH 8'	E	4
POLYSYNTH 4'	D	4
VCF MOD LFO	C	4
VCF MOD ADSR	B	4
VCF VAR CUTOFF	A	4
VCF VAR RES	F	5
ADSR VAR ATT	E	5
ADSR VAR DELAY	A	3
ADSR VAR SUS	B	3
ADSR VAR REL	C	3

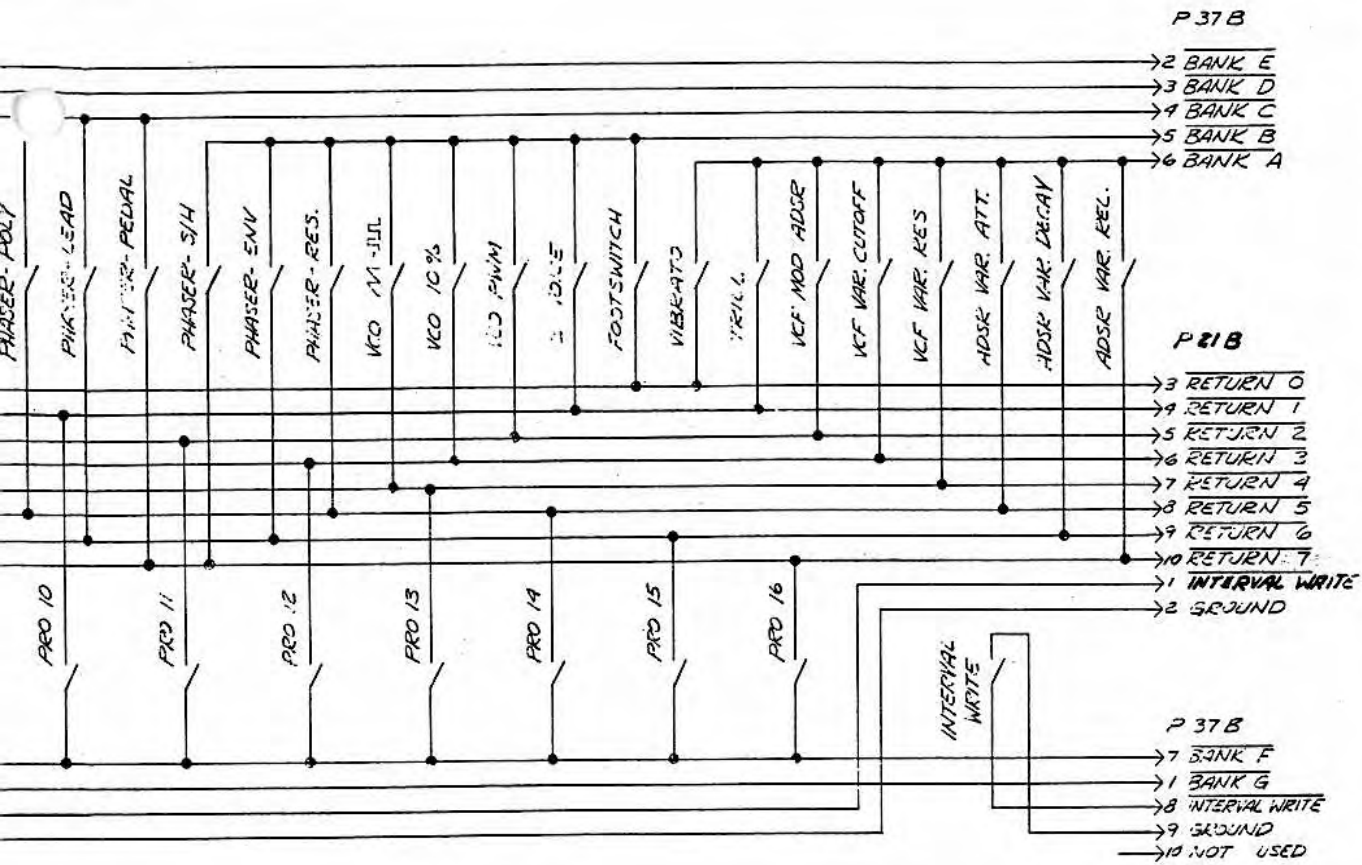
NOTE:

1. UNLESS OTHERWISE SPECIFIED:
ALL DIODES ARE 1N4148.



ARP INSTRUMENTS, INC.
SCHEMATIC, LED BOARD
QUADRA, Model 2460





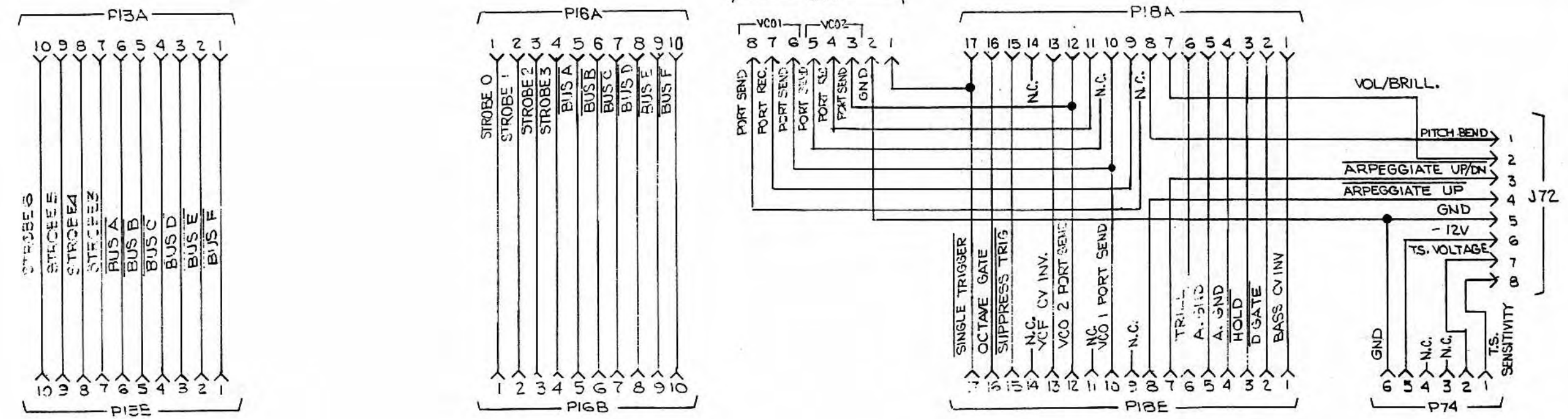
LATCH CODE - POLYSYNTH FUNCTION	DATA BUS	STROBE
ELEC BASS 16'	C	6
ELEC BASS 8'	D	6
STRING BASS 16'	E	6
STRING BASS 8'	F	5
STRINGS 8'	A	5
STRINGS 4'	B	5
STRING AR VAR ATT	C	5
STRING AR VAR REL	D	5
HOLLOW WAVEFORM	F	4
POLYSYNTH 8'	E	4
POLYSYNTH 4'	D	4
VCF MOD LFO	C	4
VCF MOD ADSR	B	4
VCF VAR CUTOFF	A	4
VCF VAR RES	F	5
ADSR VAR ATT	E	5
ADSR VAR DELAY	A	3
ADSR VAR SUS	B	3
ADSR VAR REL	C	3

LATCH CODE - PHASER FUNCTION	DATA BUS	STROBE
PHASER - BASS	D	3
PHASER - STRINGS	E	3
PHASER - POLY	F	3
PHASER - LEAD	A	2
PHASER - PEDAL	B	2
PHASER - S/H	D	1
PHASER - ENV	C	1
PHASER - RES	B	1

LATCH CODE - LEAD FUNCTION	DATA BUS	STROBE
VCO M1	A	1
VCO 10%	F	2
VCO PWM	E	2
2 VOICE	D	2
FOOTSWITCH	C	2
VIBRATO	E	1
TRILL	F	1
VCF MOD ADSR	A	0
VCF VAR CUTOFF	B	0
VCF VAR RES	C	0
ADSR VAR ATT	D	0
ADSR VAR DECAY	E	0
ADSR VAR REL	F	0

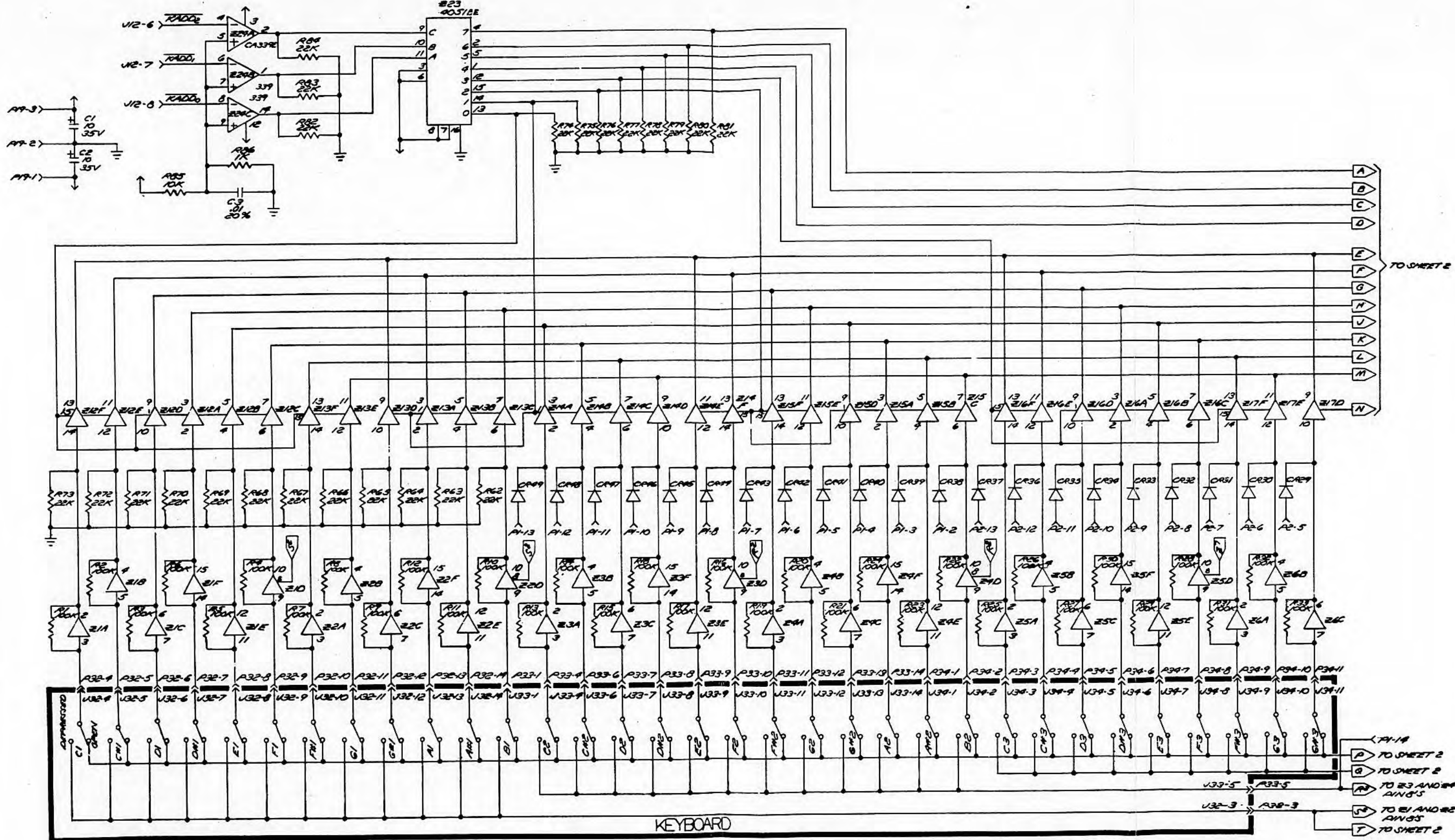
ARP INSTRUMENTS, INC.
SCHEMATIC, TOUCH SWITCH PANEL QUADRA, Model 2460

UNLESS OTHERWISE SPECIFIED: DIODES ARE 1N4148.

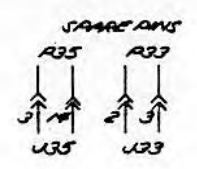


ARP INSTRUMENTS, INC.
SCHEMATIC, LED BOARD QUADRA, Model 2460

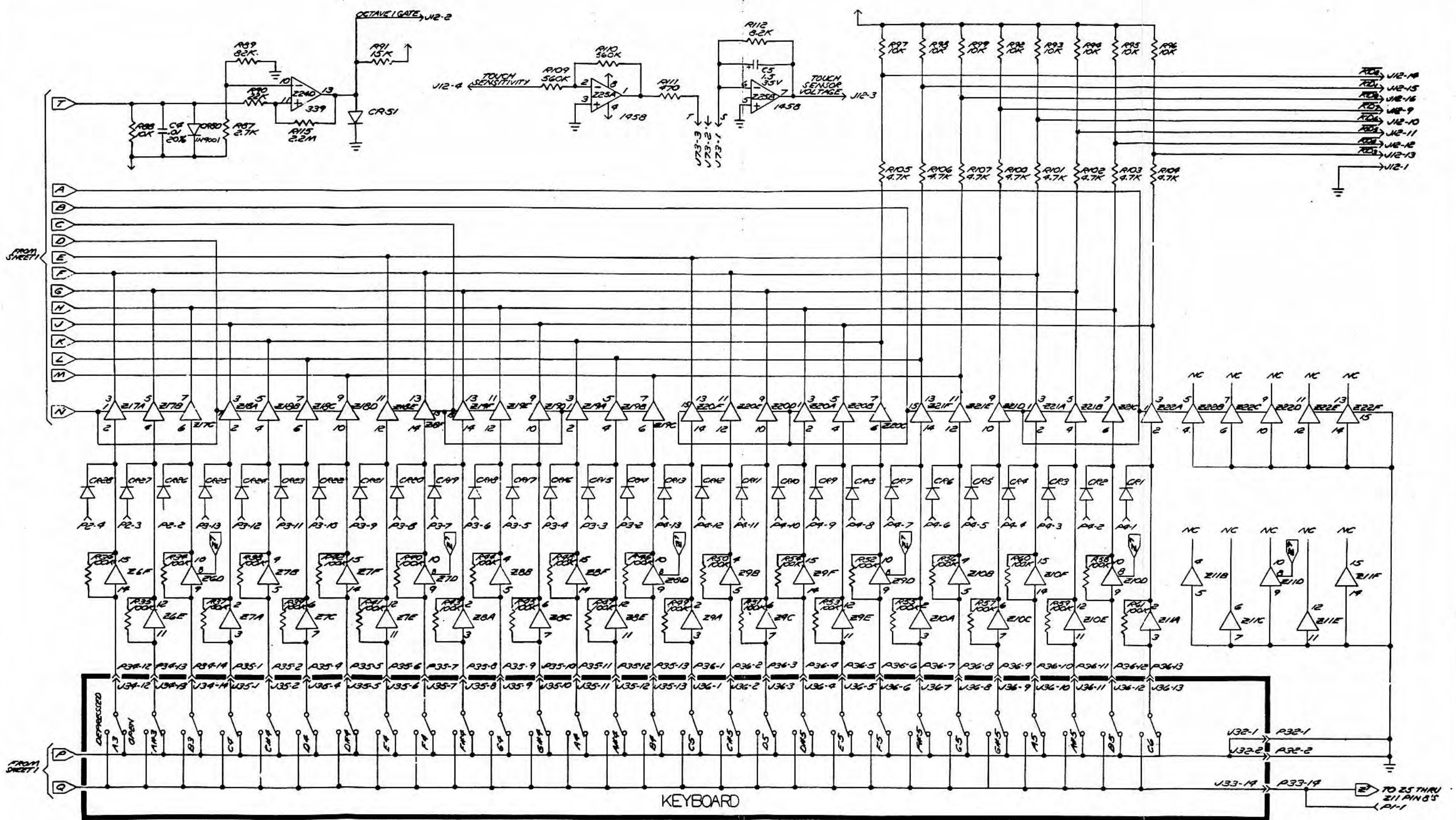
ARP INSTRUMENTS, INC.
SCHEMATIC, INTERCONNECT BOARD QUADRA, Model 2460



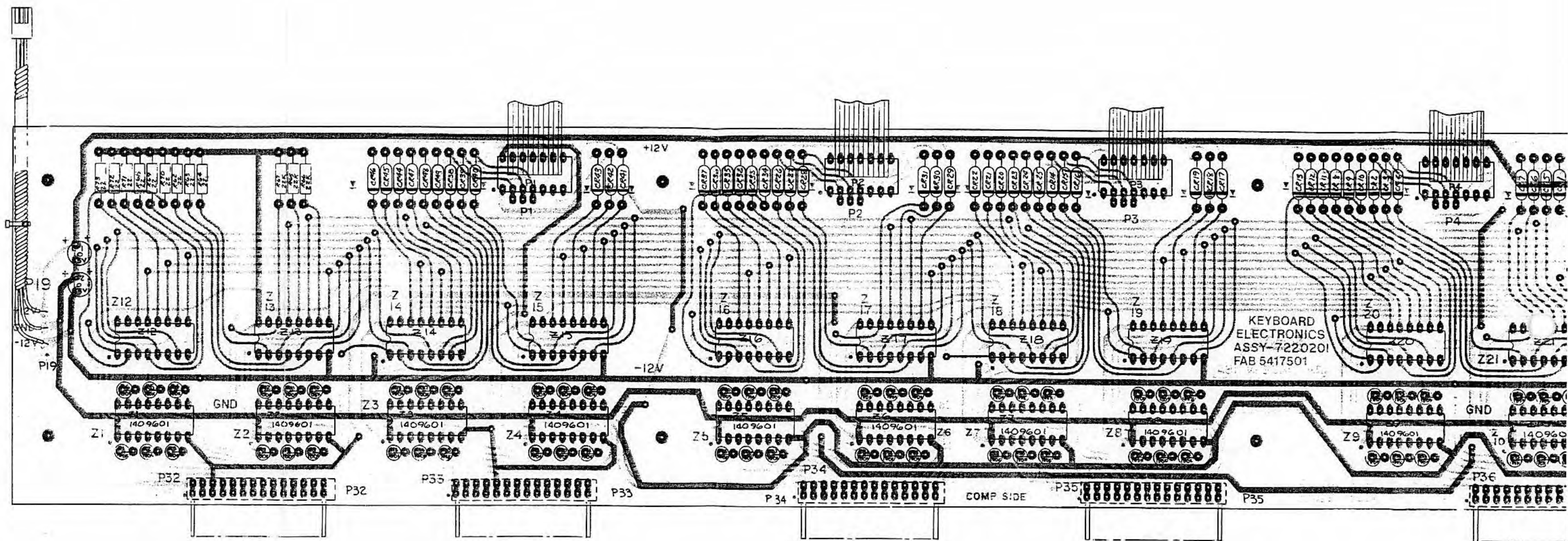
NOTES:
 1) UNLESS OTHERWISE SPECIFIED:
 ALL RESISTOR VALUES ARE IN OHMS, $\frac{1}{2}$ W, 5%
 ALL CAPACITOR VALUES ARE IN μ F (P = MICROFARADS)
 ALL DIODES ARE ALL INDIAS
 2) HIGHEST PART DESIGNATIONS:
 C5, CR51, U73, P19, R115, Z25
 3) CONVENTION USED FOR SUPPLY VOLTAGE CONNECTIONS:
 ↑ IMPULSES +1.5V ↑
 ↓ IMPULSES -1.5V ↓



ARP INSTRUMENTS, INC.
 SCHEMATIC, KEYBOARD ELECTRONICS BOARD
 QUADRA, Model 2460
 Sheet 1 of 2

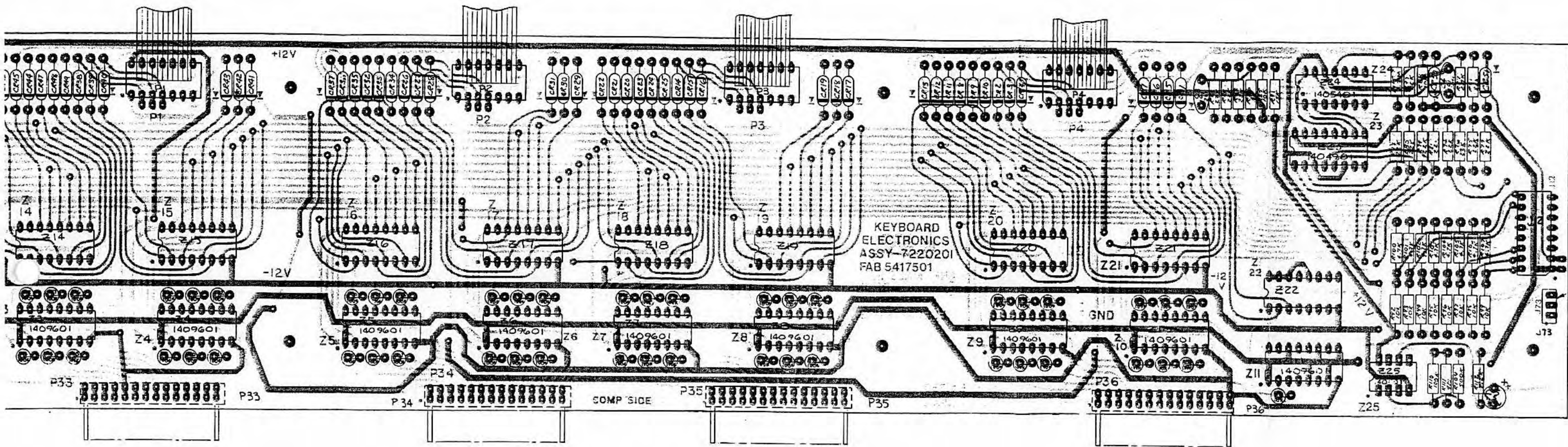


ARP INSTRUMENTS, INC.
 SCHEMATIC, KEYBOARD ELECTRONICS BOARD
 QUADRA, Model 2460
 Sheet 2 of 2

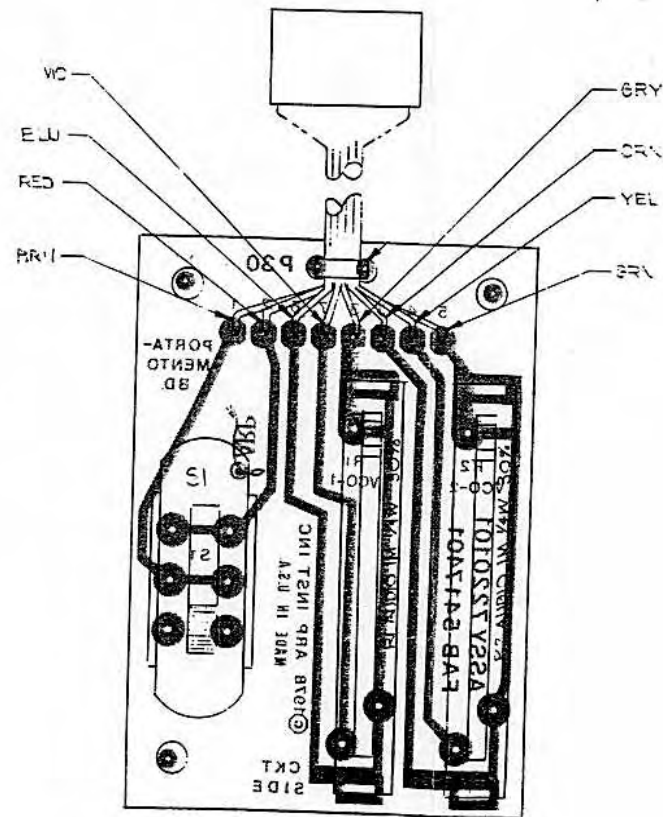
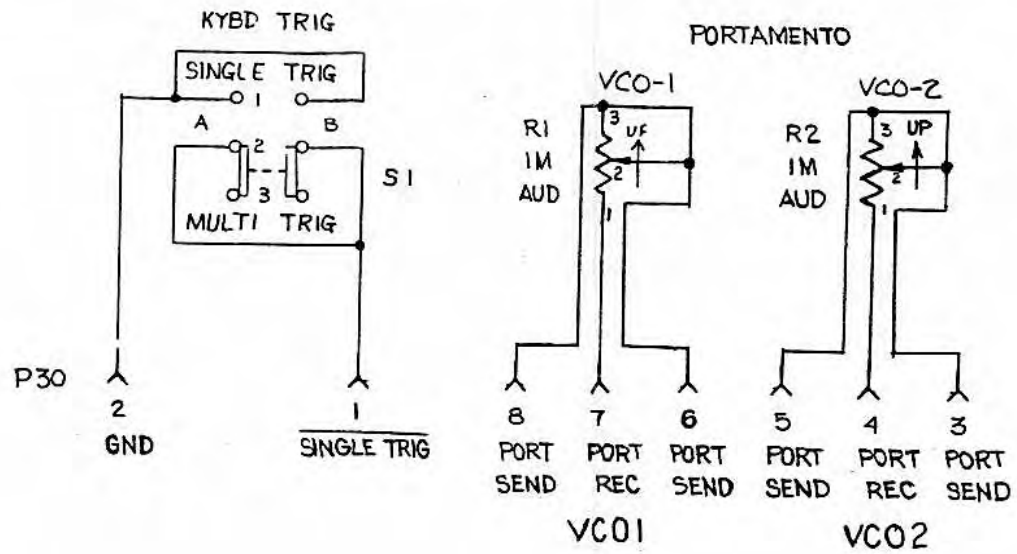


NOTES:

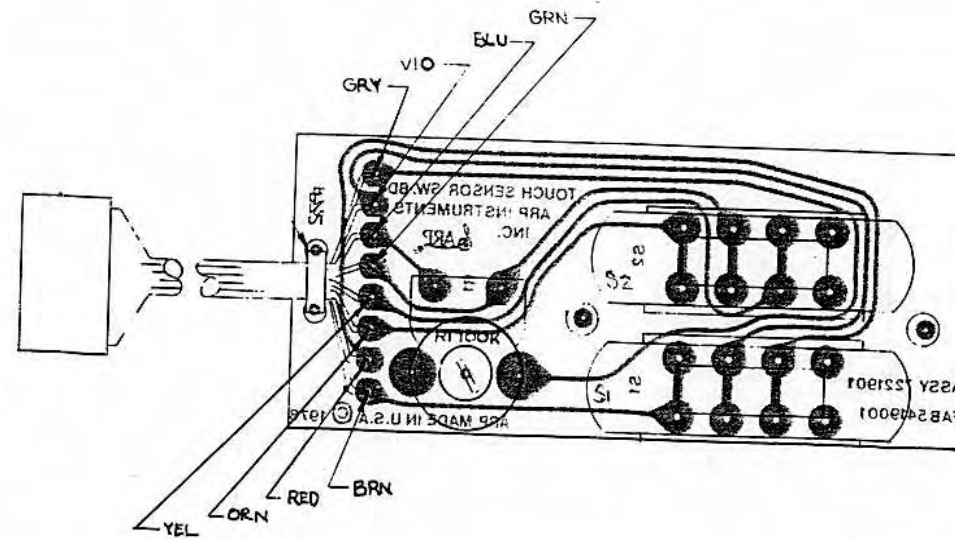
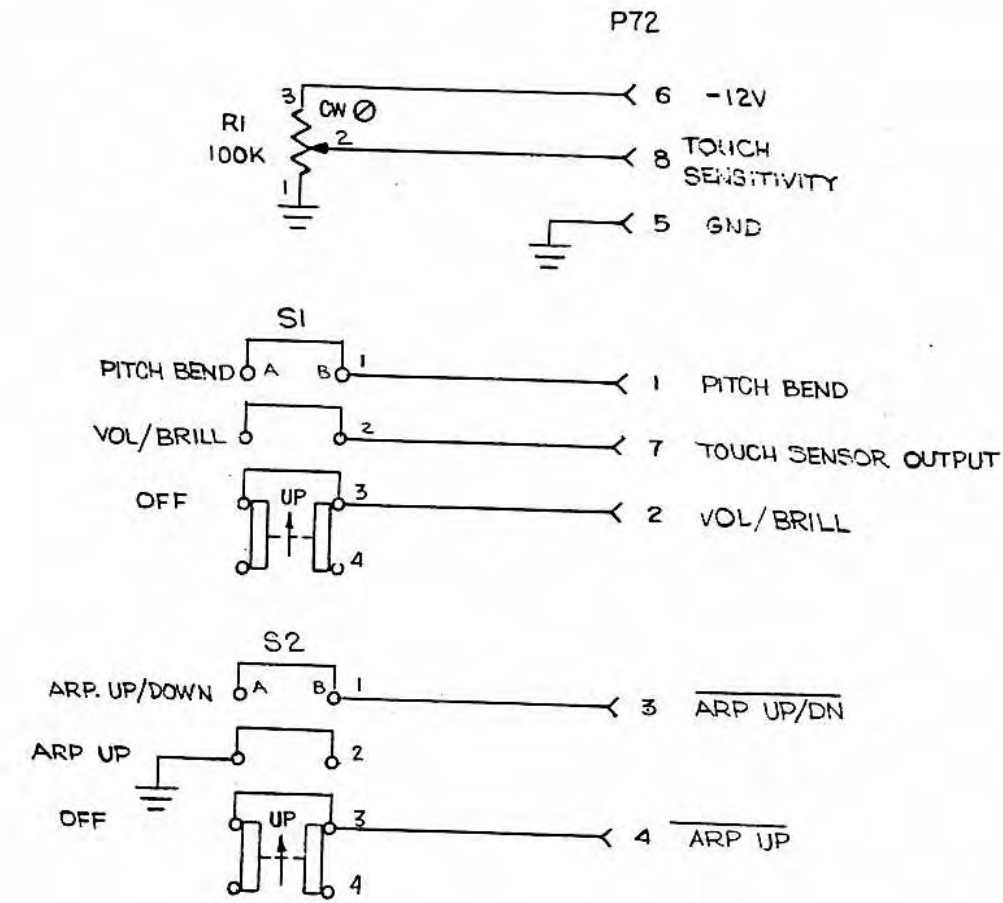
1. UNLESS OTHERWISE SPECIFIED:
 RESISTOR VALUES ARE IN OHMS, $\frac{1}{4}$ W, 5%.
 CAPACITOR VALUES μ f (P= PICO FARADS).
 DIODES ARE IN4148.



ARP INSTRUMENTS, INC.
 ASSEMBLY, KEYBOARD ELECTRONICS BOARD
 QUADRA, Model 2460



ARP INSTRUMENTS, INC.
SCHEMATIC & ASSEMBLY, PORTAMENTO BOARD
QUADRA, Model 2460

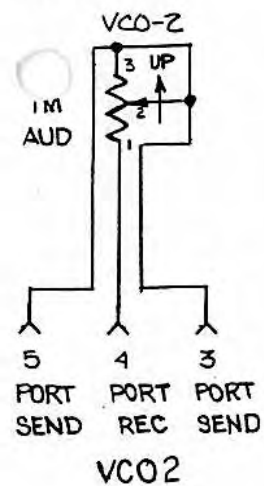


ARP INSTRUMENTS, INC.
SCHEMATIC & ASSEMBLY, TOUCH SENSOR SWITCH BOARD
QUADRA, Model 2460

P31-
BASS CV OUT 15
BASS CV IN 14
GND 13
GND 12
BASS GATE OUT 11
BASS GATE IN 10
GND 9
GND 8
LEAD TRIG OUT 7
LEAD TRIG IN 6

LEAD GATE OUT 5
LEAD GATE IN 4
GND 3
VCO2 CV OUT 2
VCO1 CV OUT 1
VCO 1#2 CV IN 0

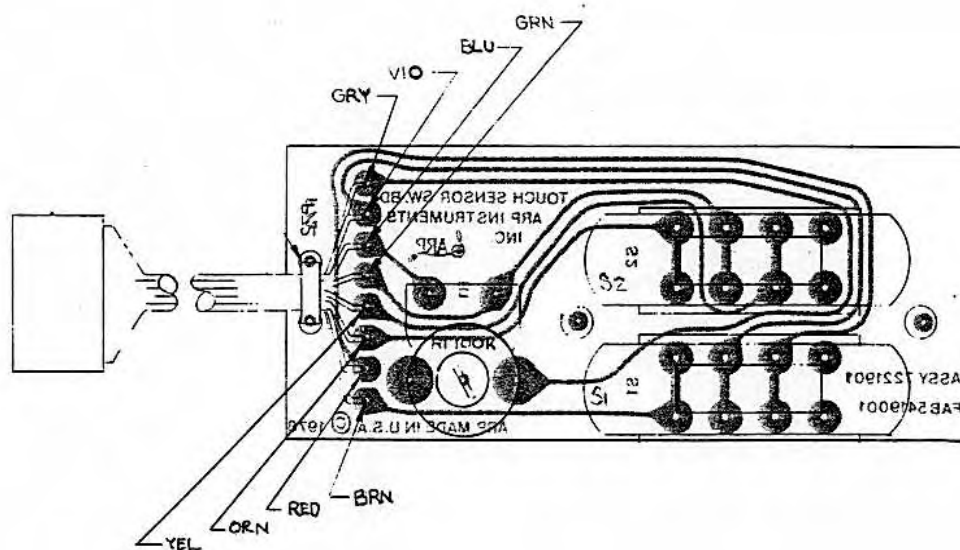
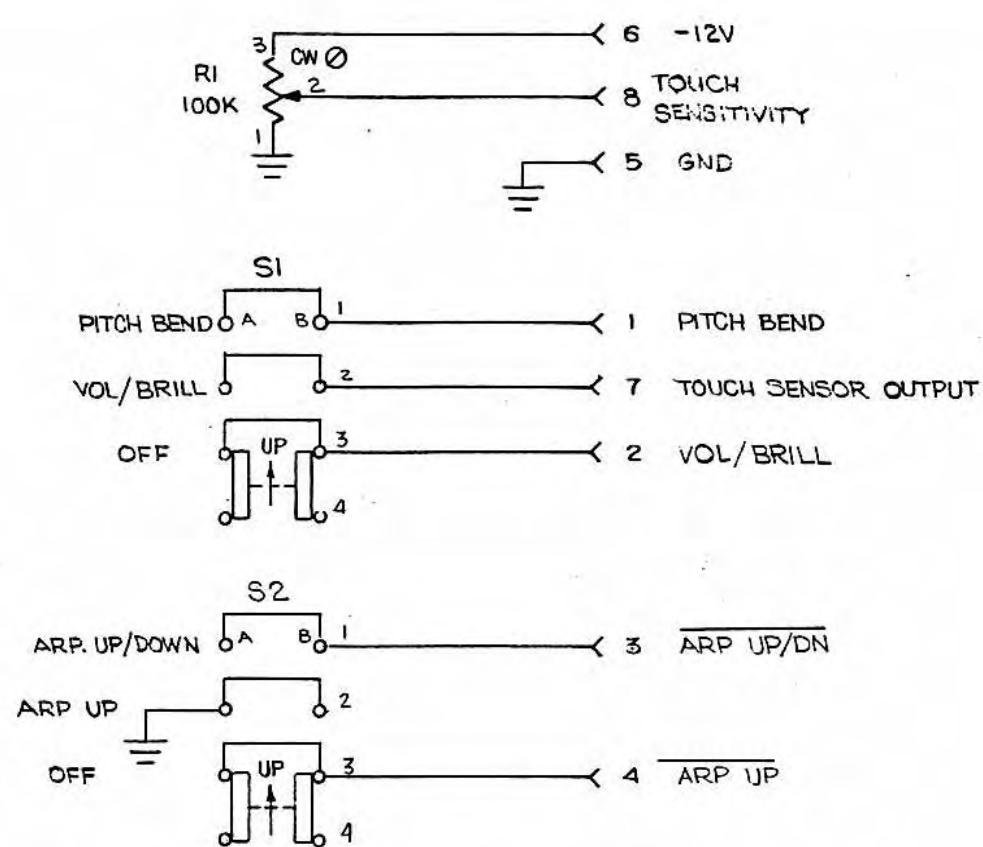
AMENTO



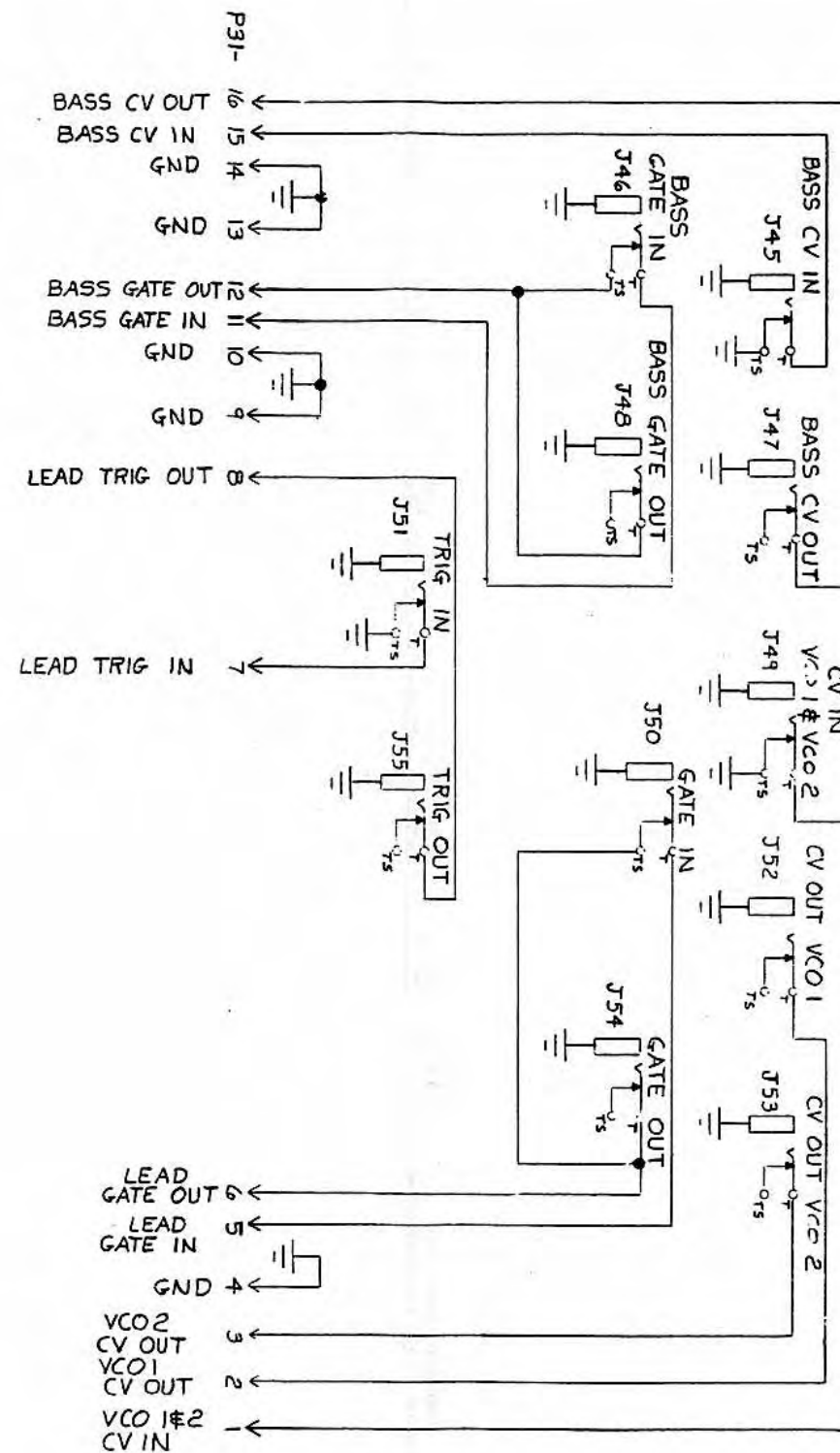
GRY
GRN
YEL

PORTAMENTO BOARD

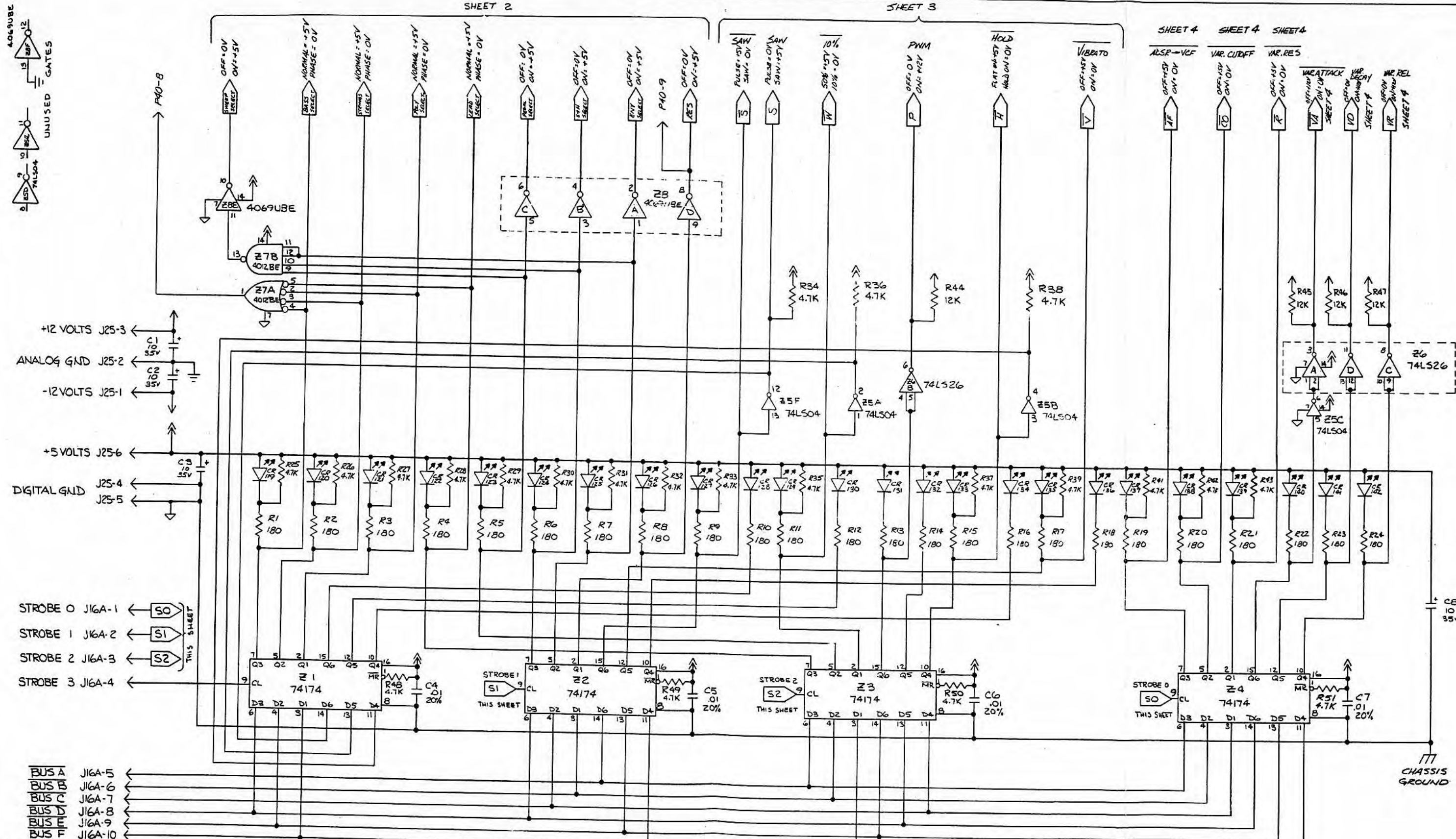
P72



ARP INSTRUMENTS, INC.
SCHEMATIC & ASSEMBLY, TOUCH SENSOR SWITCH BOARD
QUADRA, Model 2460

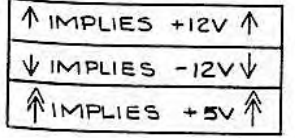


ARP INSTRUMENTS, INC.
SCHEMATIC, TINY "D" JACK BOARD
QUADRA, Model 2460

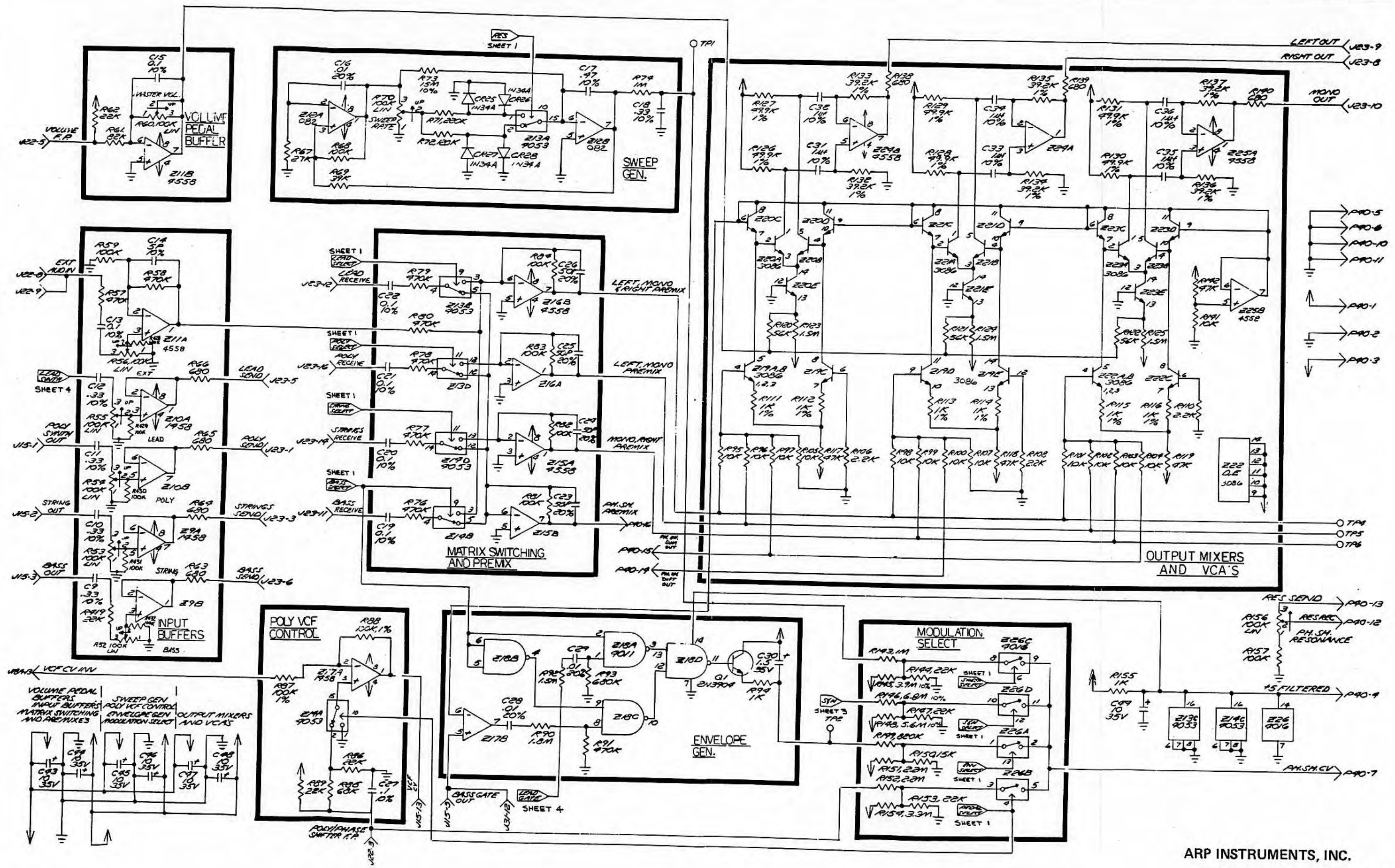


NOTES:
 1. UNLESS OTHERWISE SPECIFIED:
 RESISTOR VALUES ARE IN OHMS, 1/4W 5%.
 CAPACITOR VALUES ARE IN μ f (P=PIKOFARADS).
 DIODES ARE IN 414B, CR119-127, 129, 131-133, 135-142 ARE FLV310 LED'S. CR128, 130, 134 ARE FLV310, LED'S.
 2. HIGHEST REF. DESIGNATIONS ARE: C136, CR142, R432, Z76, Q22, P40, J31, S1, M1.

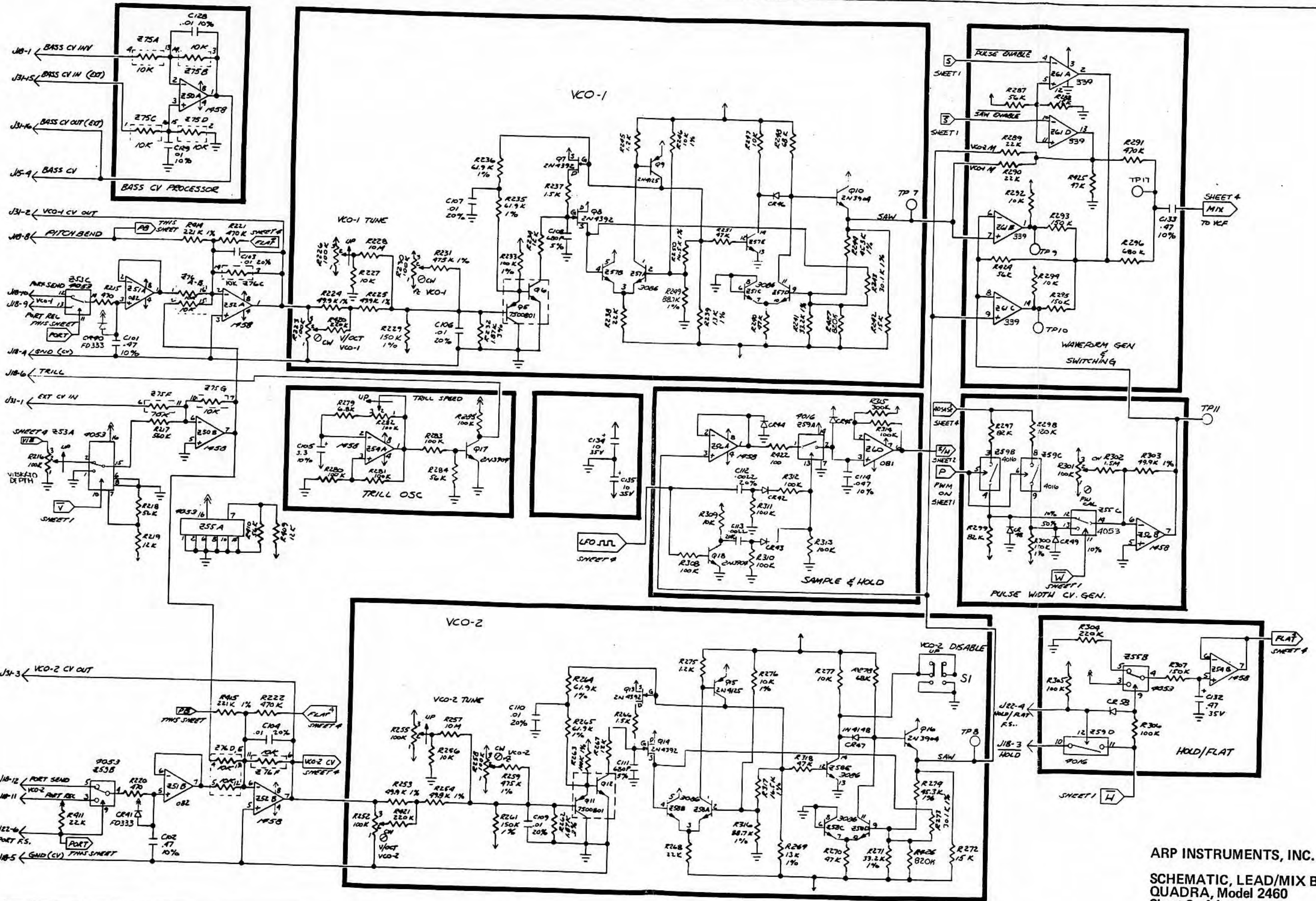
3. CONVENTIONS USED FOR SUPPLY VOLTAGE CONNECTIONS:



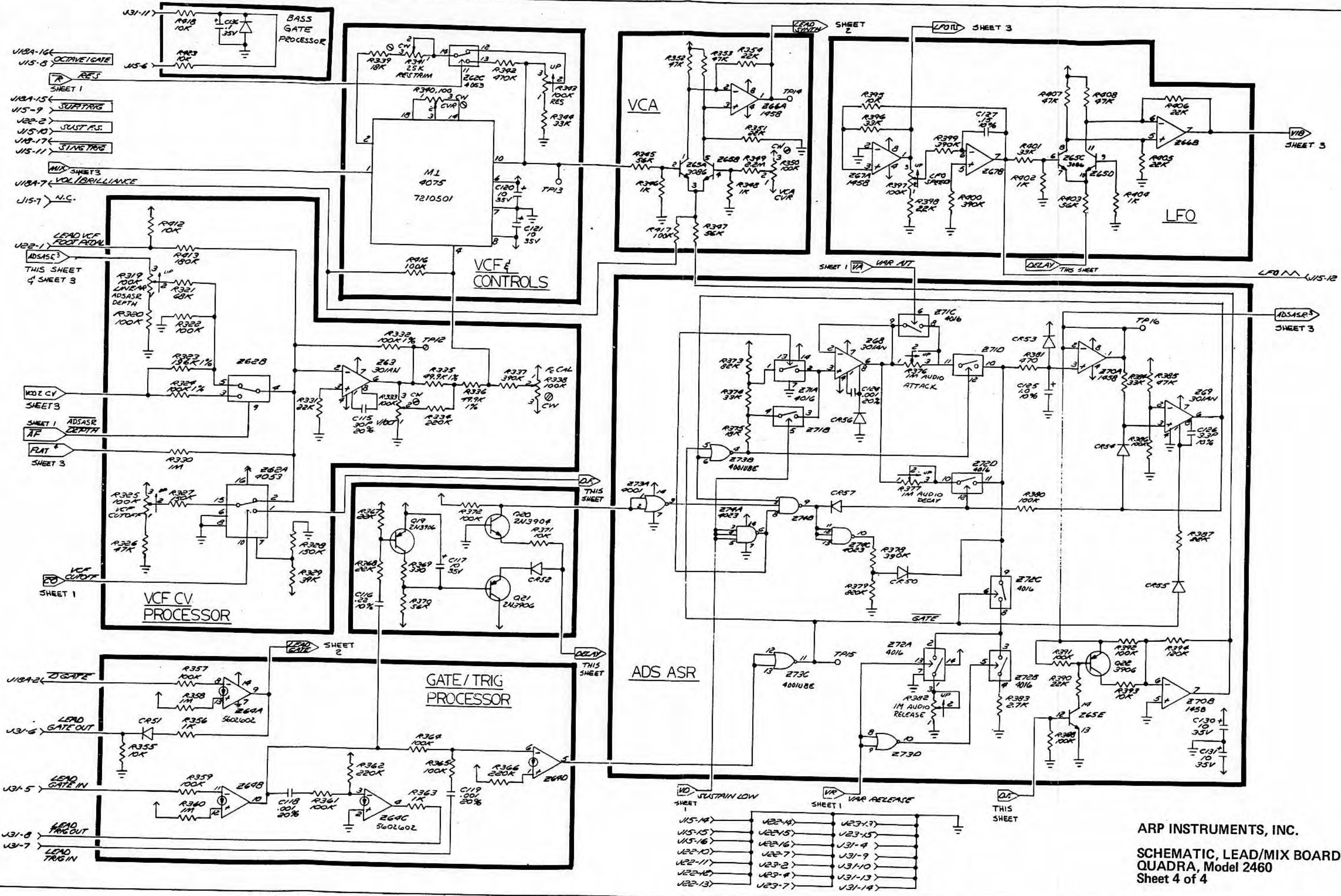
ARP INSTRUMENTS, INC.
 SCHEMATIC, LEAD/MIX BOARD
 QUADRA, Model 2460
 Sheet 1 of 4



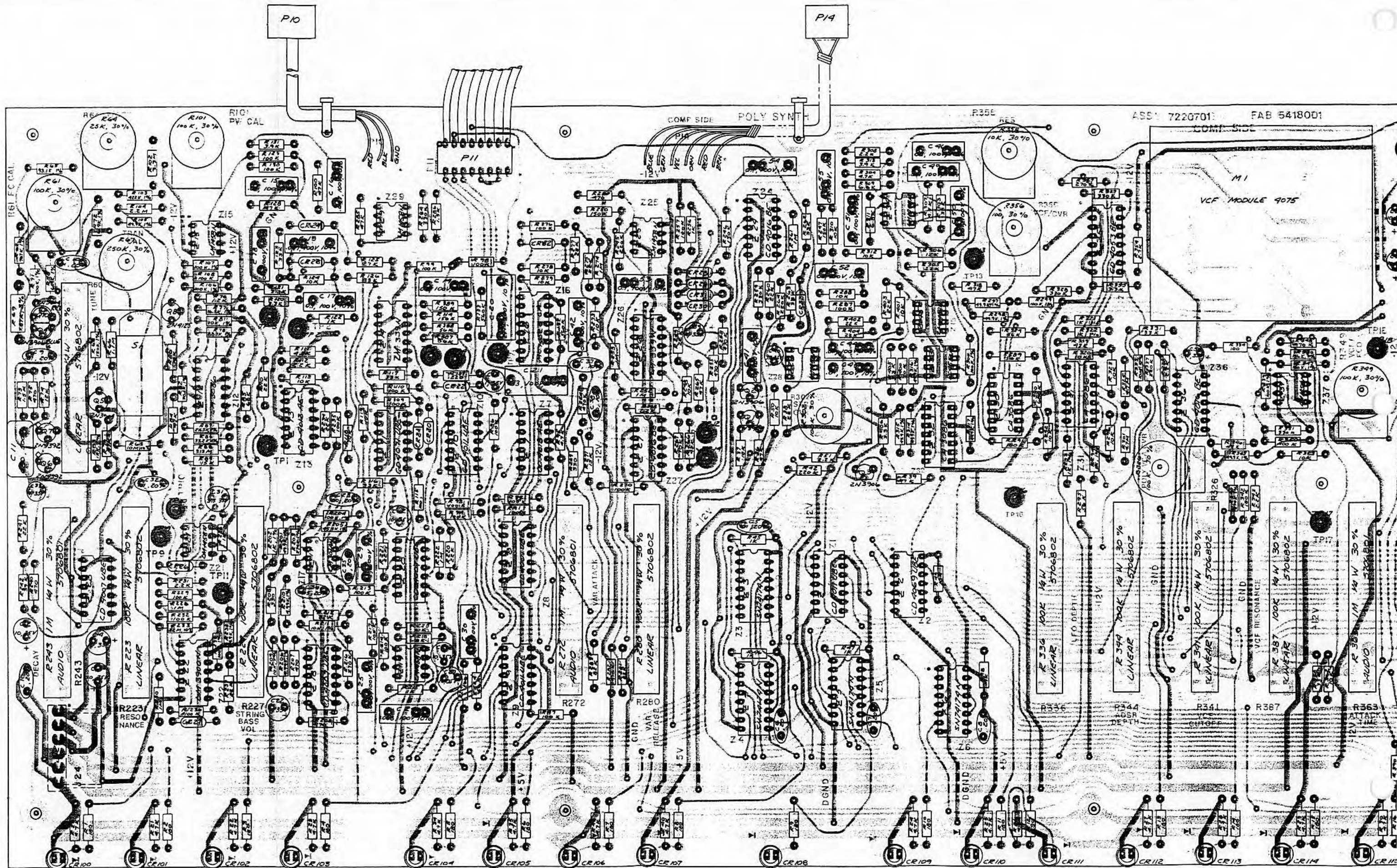
ARP INSTRUMENTS, INC.
 SCHEMATIC, LEAD/MIX BOARD
 QUADRA, Model 2460
 Sheet 2 of 4

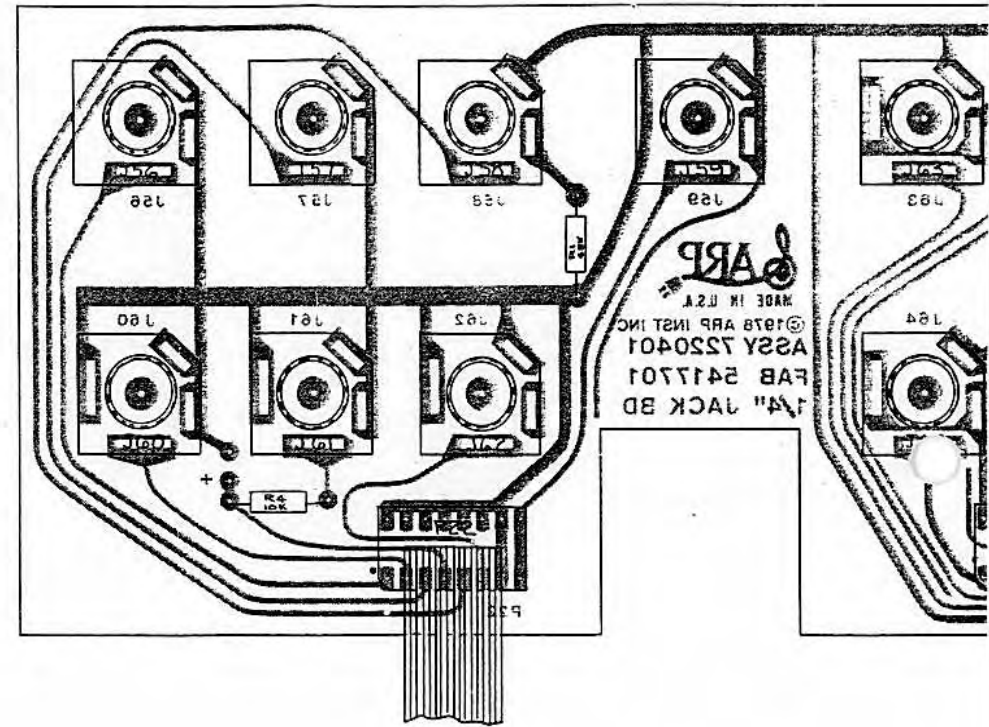
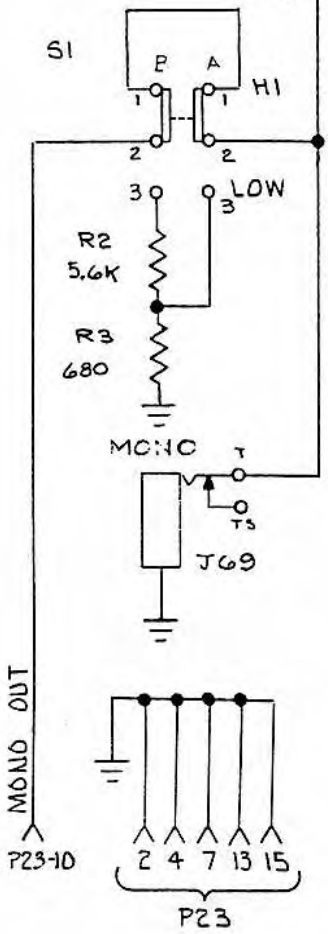
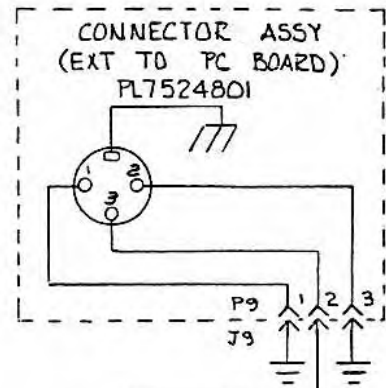
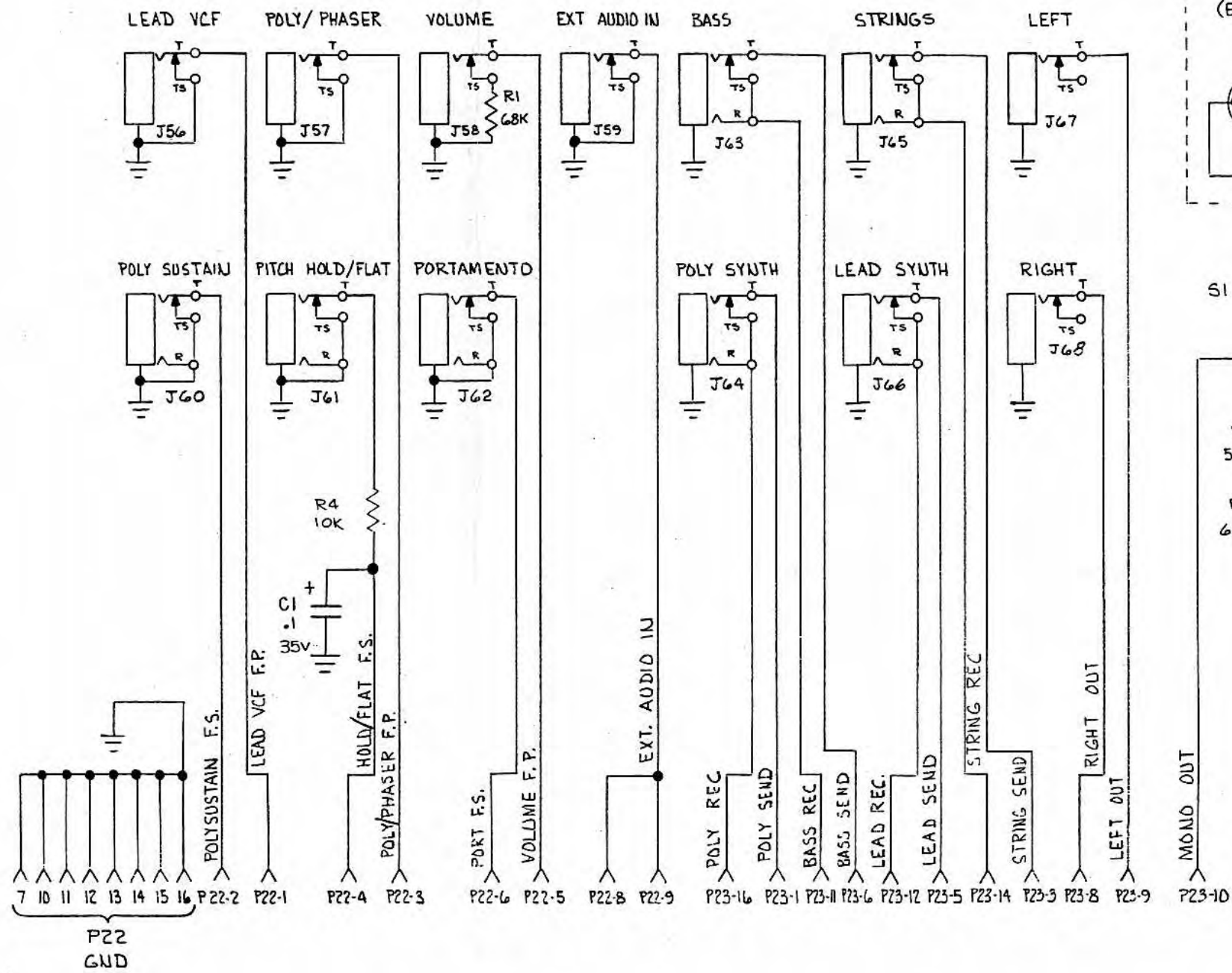


ARP INSTRUMENTS, INC.
SCHEMATIC, LEAD/MIX BOARD
QUADRA, Model 2460
Sheet 3 of 4

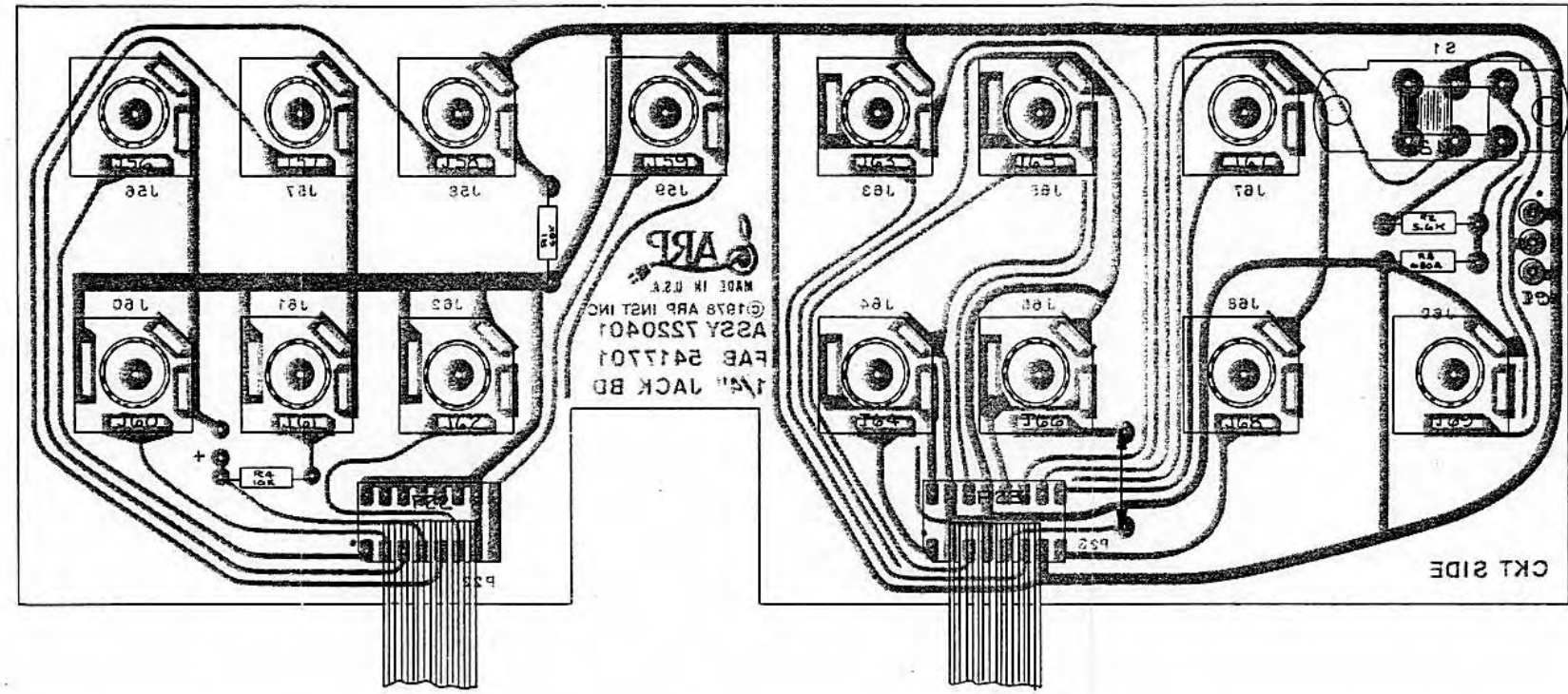
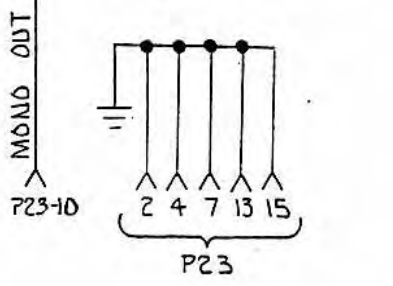
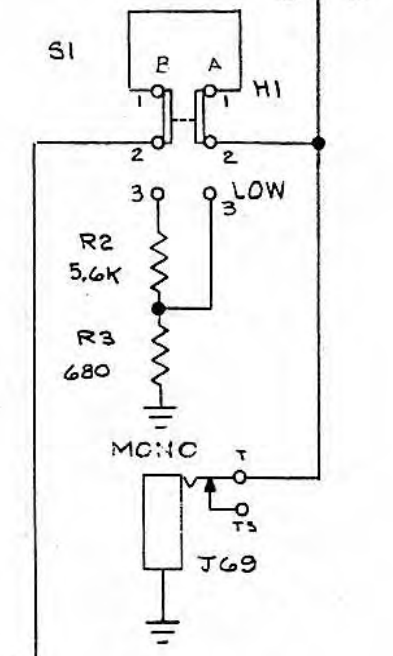
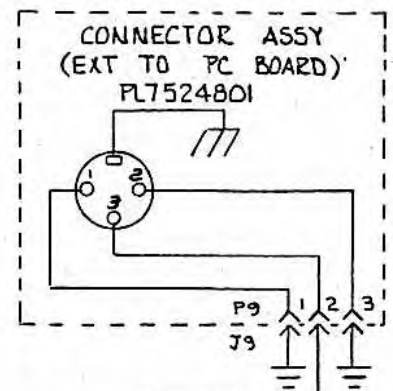
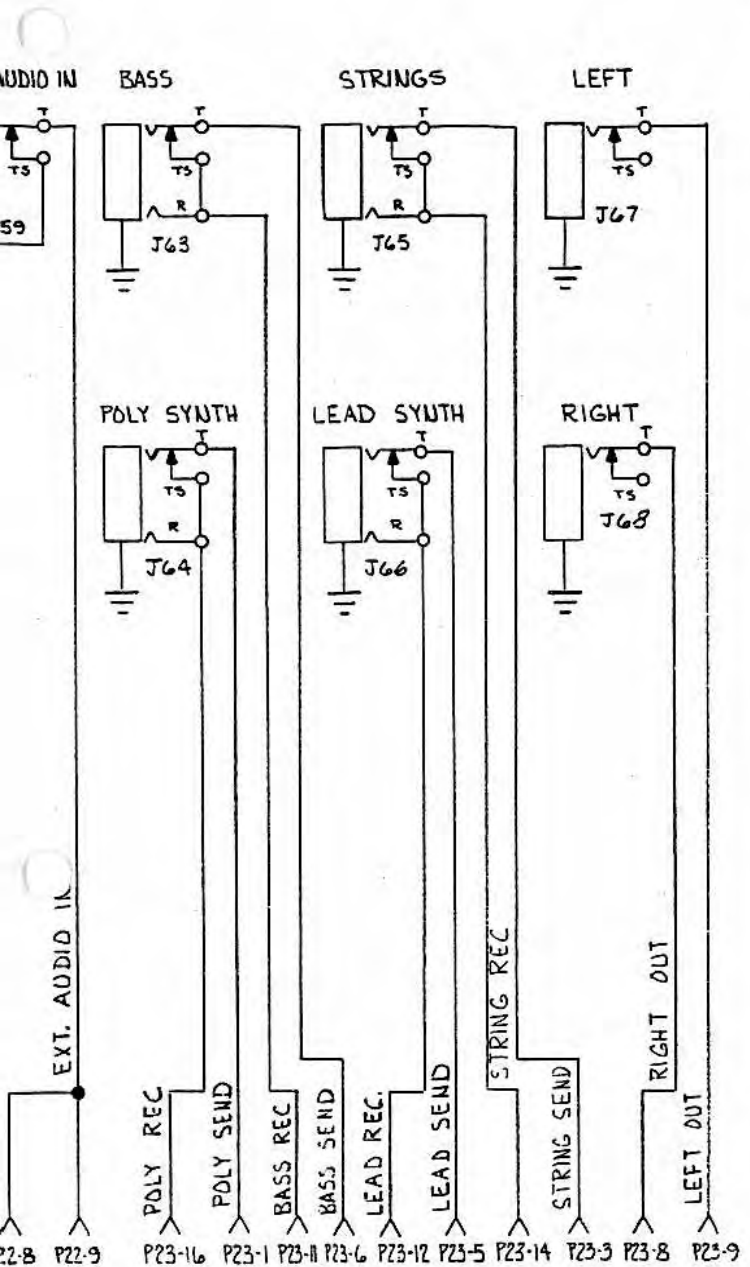


ARP INSTRUMENTS, INC.
 SCHEMATIC, LEAD/MIX BOARD
 QUADRA, Model 2460
 Sheet 4 of 4

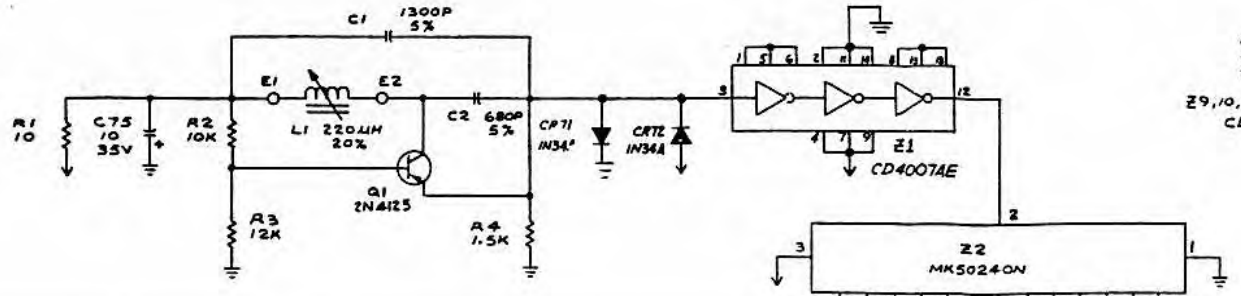
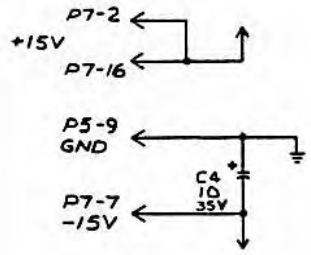




NOTES:
1. UNLESS OTHERWISE SPECIFIED:
ALL RESISTORS ARE IN OHMS, KAW, 5%.



ARP INSTRUMENTS, INC.
 SCHEMATIC & ASSEMBLY, 1/4" JACK BOARD
 QUADRA, Model 2460

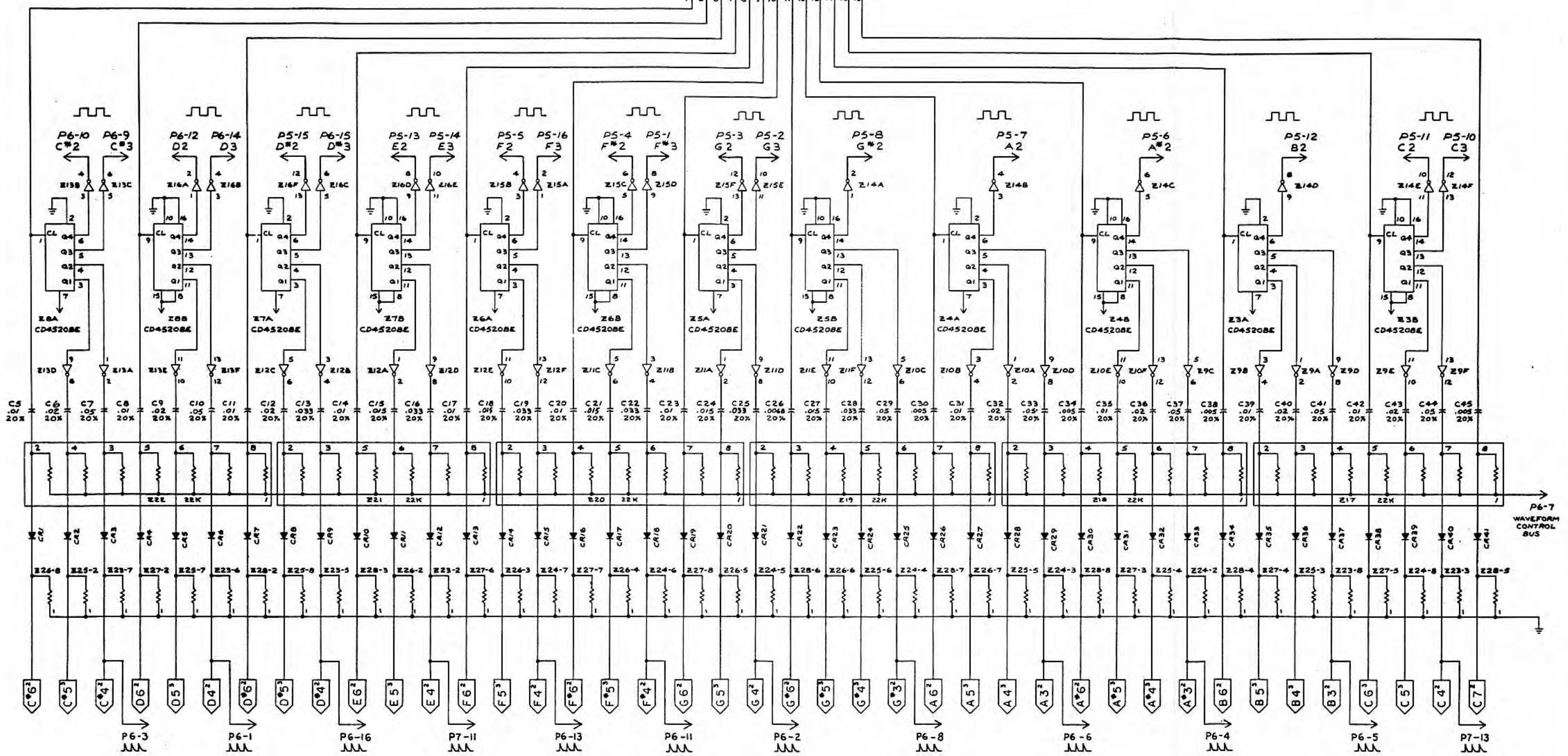


EXPLANATION OF SYMBOLS USED

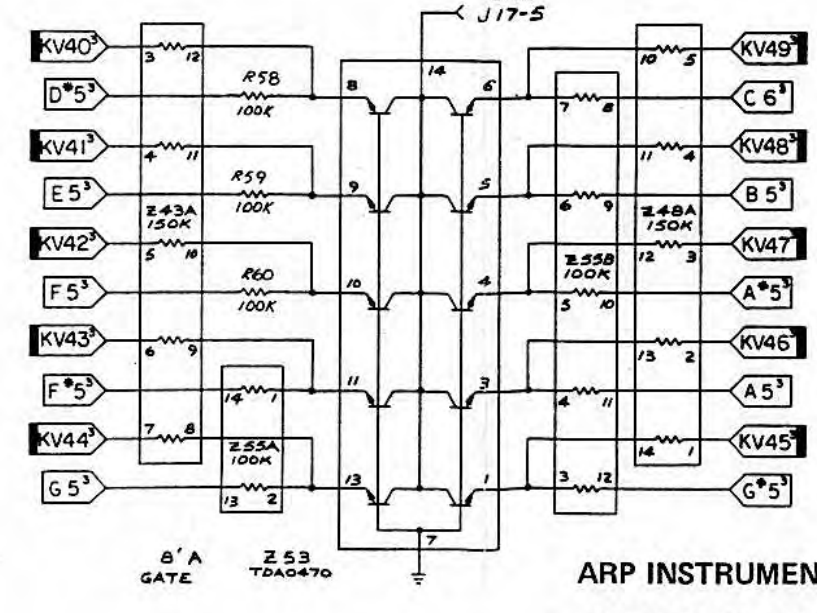
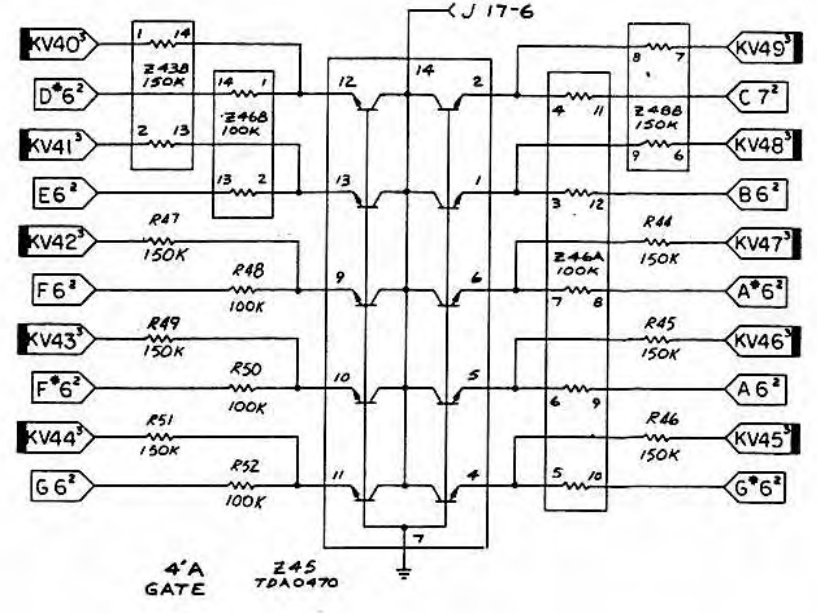
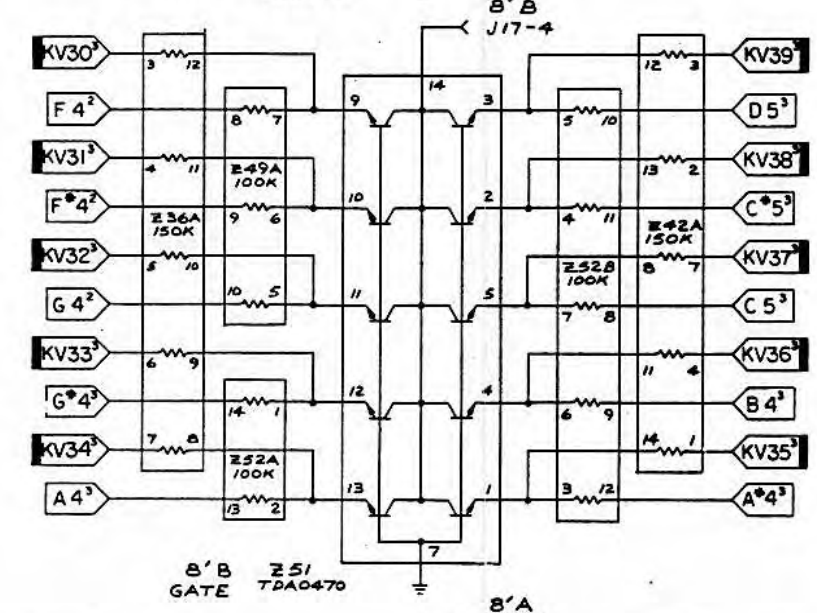
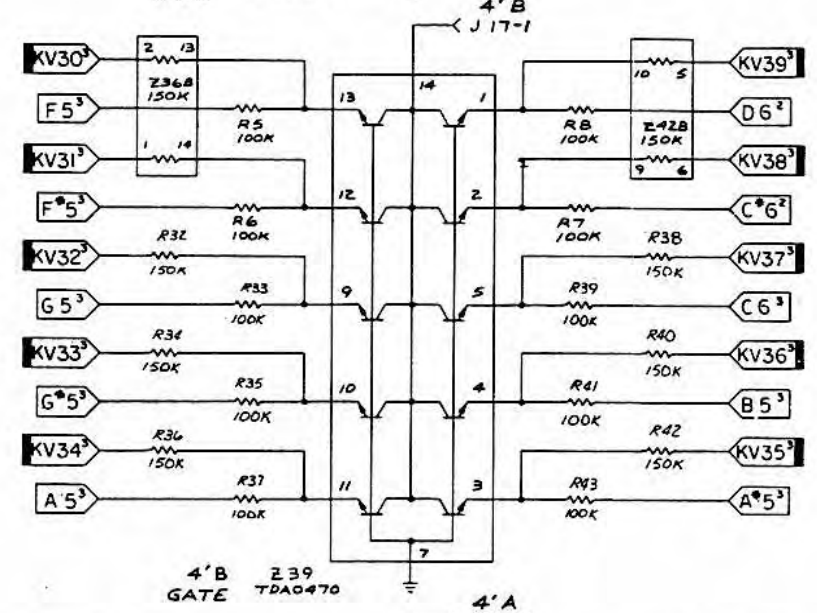
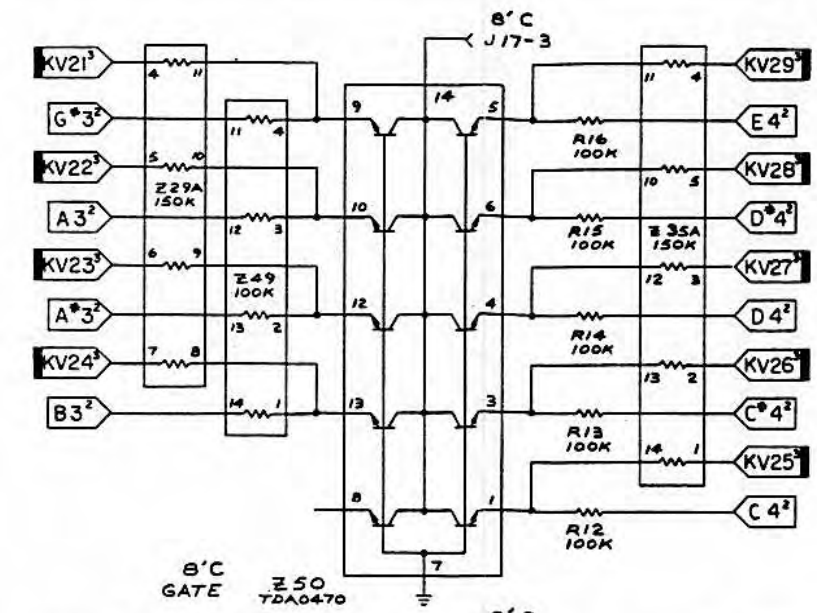
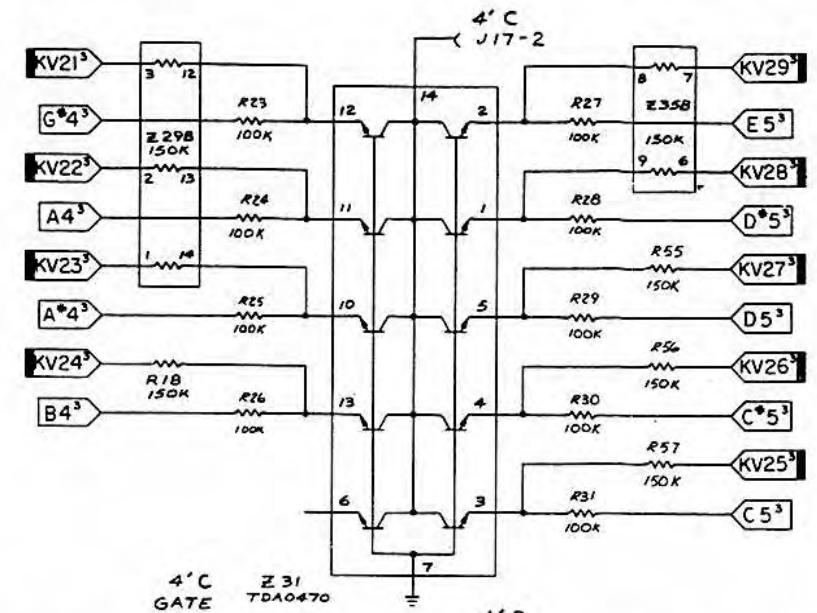
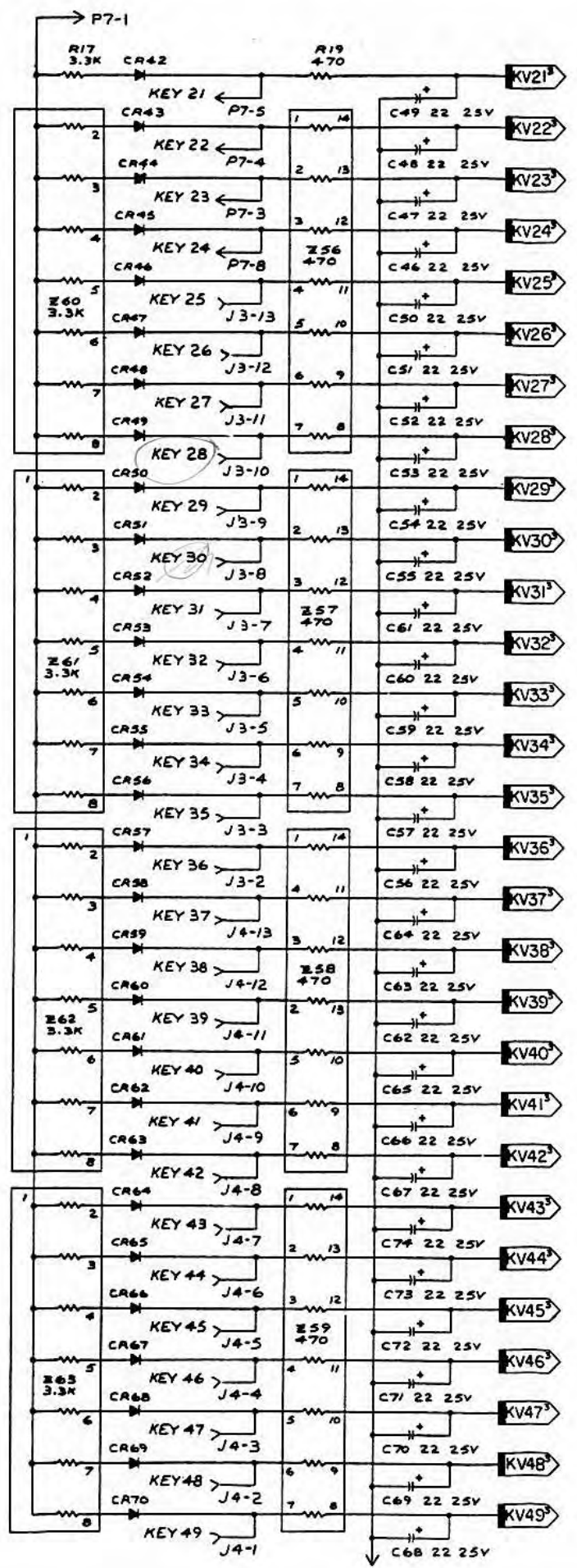
$\square \text{KV}21$ = KEYING VOLTAGE 21 APPEARING THREE PLACES

$\square \text{C}^6$ = TONE C[#] 6 APPEARING TWO PLACES

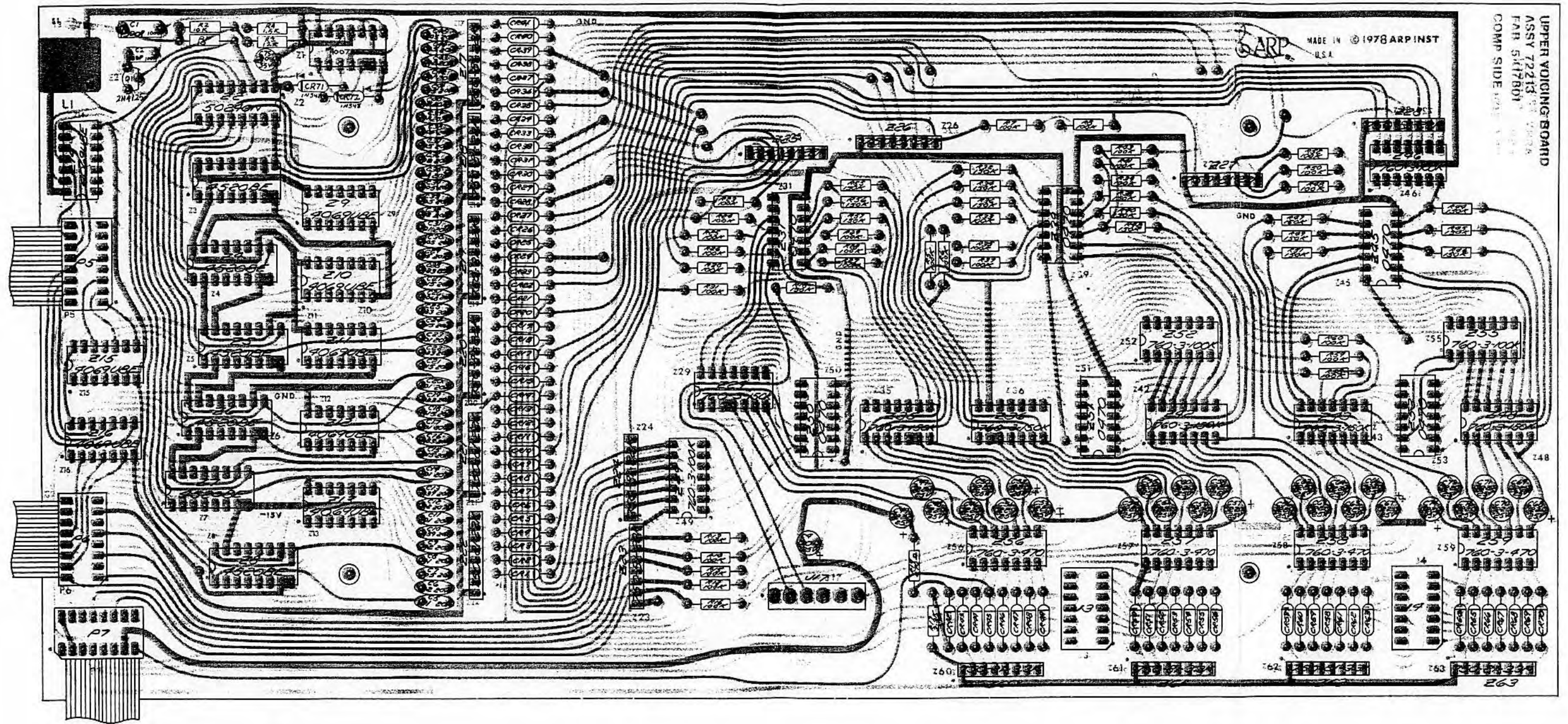
- NOTES:
- UNLESS OTHERWISE SPECIFIED: RESISTOR VALUES ARE IN OHMS, KΩ, 5% CAPACITOR VALUES ARE IN μF (P=PICTOPARAD) DIODES ARE 1N4148
 - Z9, 10, 11, 12, 13, 14, 15, 16 ARE CD4069UBE Z23, 24, 25, 26, 27, 28 ARE 22K
 - HIGHEST REF DES: C75, CR72, E2, L1, P7, J17 Q1, R19, Z63
 - CONVENTIONS USED FOR SUPPLY VOLTAGE CONNECTIONS:
 \uparrow IMPLIES +15V
 \downarrow IMPLIES -15V



ARP INSTRUMENTS, INC.
 SCHEMATIC, UPPER VOICING BOARD
 QUADRA, Model 2460
 Sheet 1 of 2



ARP INSTRUMENTS, INC.
 SCHEMATIC, UPPER VOICING BOARD
 QUADRA, Model 2460
 Sheet 2 of 2

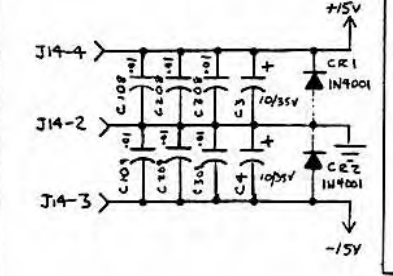
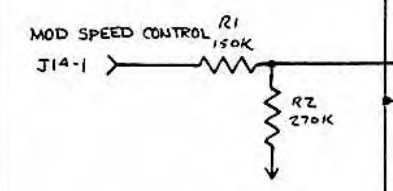
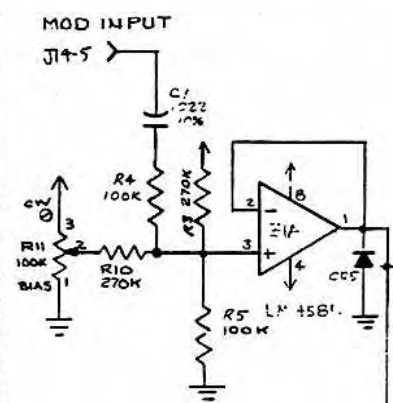
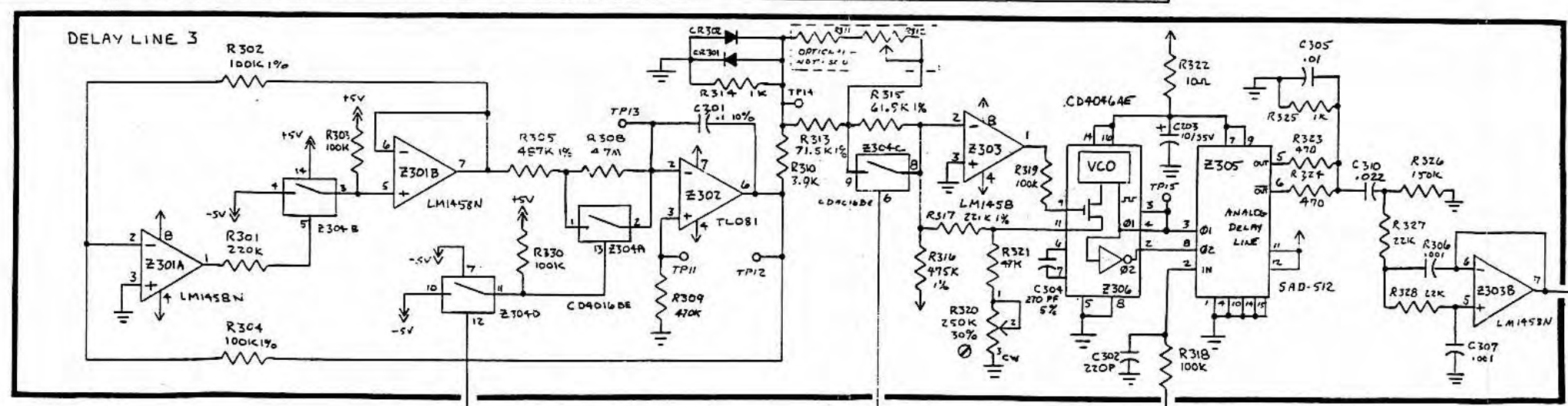
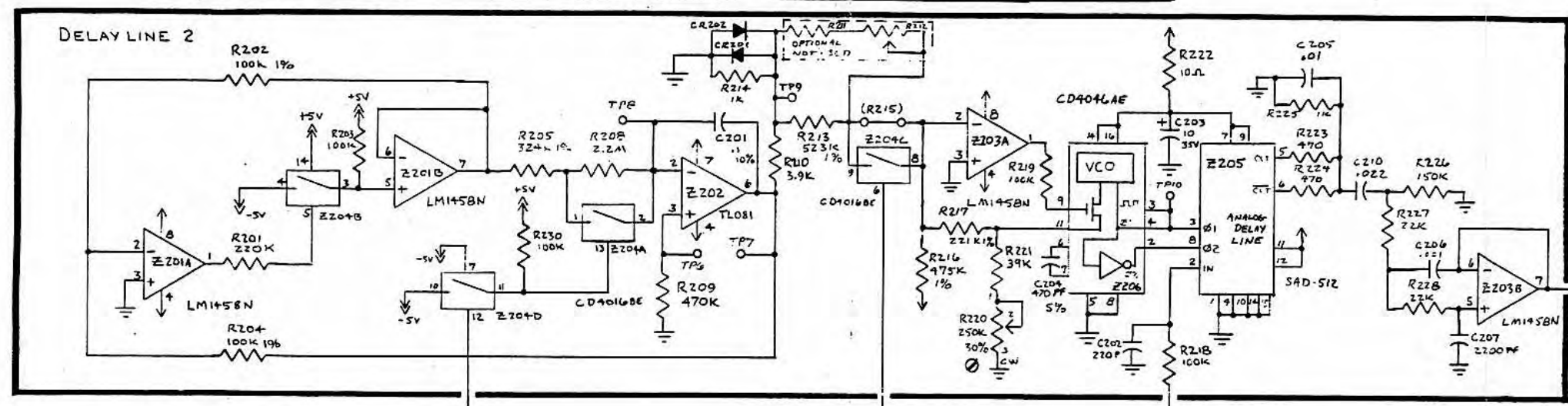
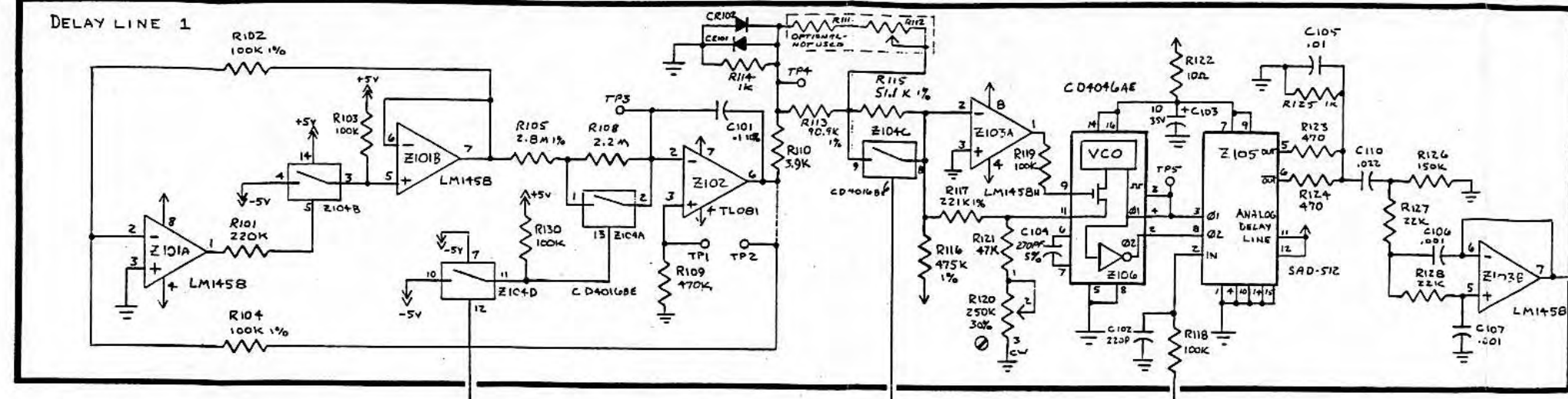


UPPER VOICING BOARD
 ASSY 72213
 FAR 5477801
 COMP SIDE

ARP MADE IN U.S.A. 1978 ARP INST

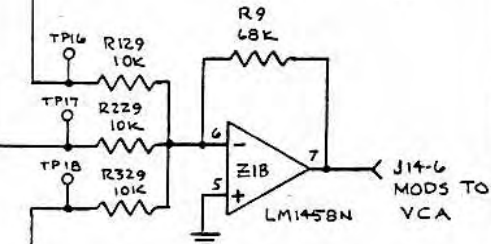
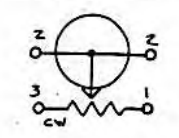
NOTES:
 1. UNLESS OTHERWISE SPECIFIED:
 RESISTOR VALUES ARE IN OHMS, 1/4W, ±5%
 CAPACITOR VALUES ARE IN μF (P = PICO FARADS)

ARP INSTRUMENTS, INC.
 ASSEMBLY, UPPER VOICING BOARD
 QUADRA, Model 2460

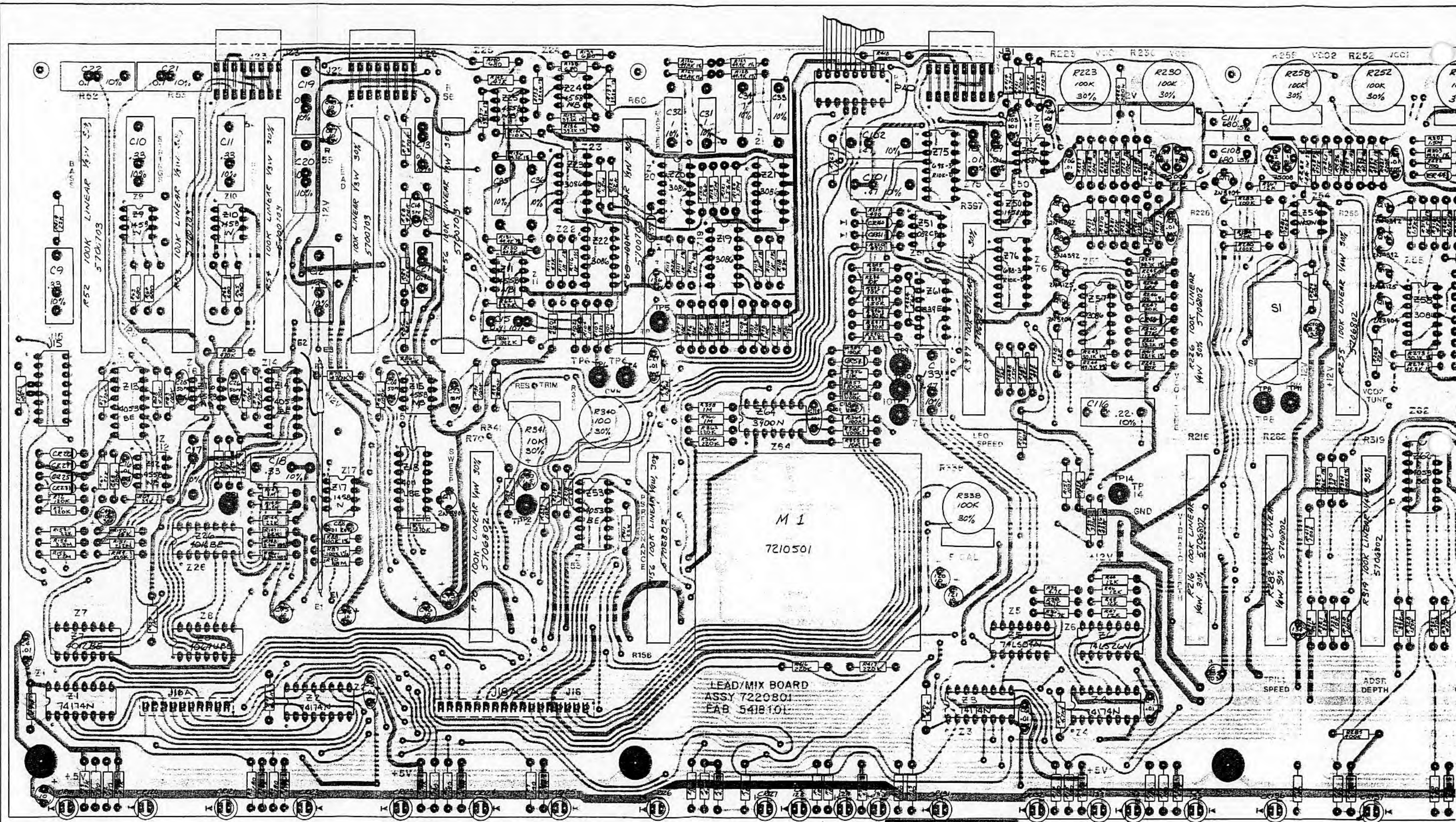


NOTES:
 1. UNLESS OTHERWISE SPECIFIED:
 ALL RESISTOR VALUES IN OHMS, 1/4-W, 5%
 ALL CAPACITORS VALUES IN μ F (P= PICO FARAD), 20%
 ALL DIODES ARE 1N4148
 2. HIGHEST REF. DES. C307, CR302, R329, Z306
 3. CONVENTION USED FOR POWER SUPPLY:

↑	IMPLIES +5V	↑	IMPLIES +5V
↓	IMPLIES -5V	↓	IMPLIES -5V



ARP INSTRUMENTS, INC.
 SCHEMATIC, PHASER BOARD
 QUADRA, Model 2460



M 1
7210121

LEAD/MIX BOARD
ASSY 7220801
EAB 5418101

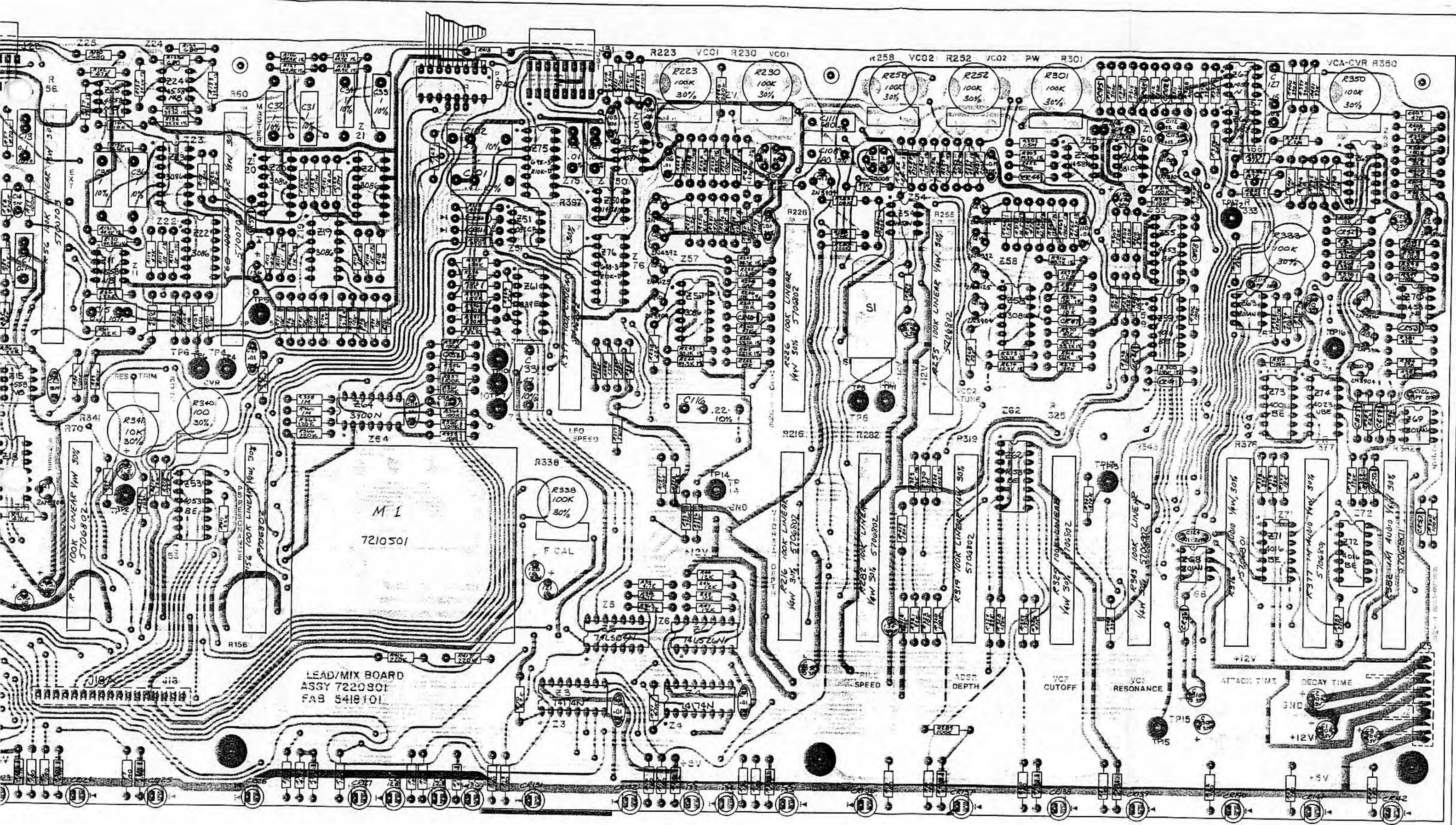
J18A

J18

J16

TRIM SPEED

ADST. DEPTH

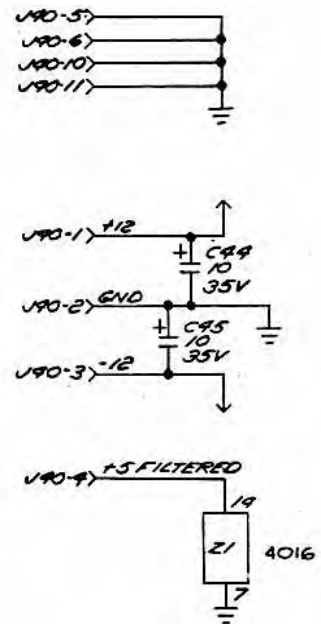


LEAD/MIX BOARD
 ASSY 7220S01
 FAB 5418101

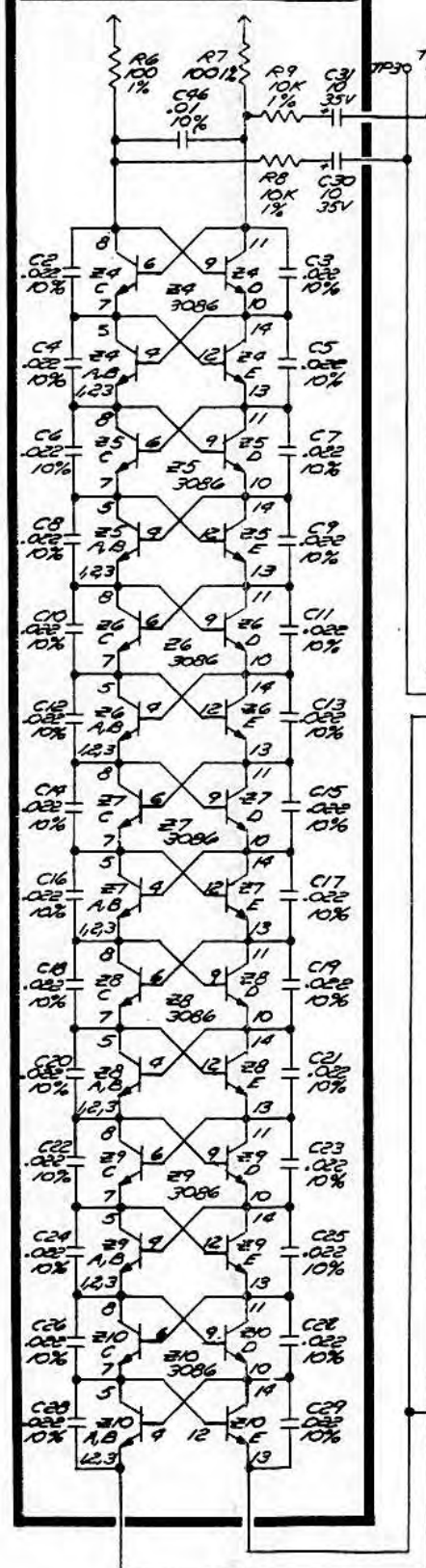
ARP INSTRUMENTS, INC.
 ASSEMBLY, LEAD/MIX BOARD
 QUADRA, Model 2460

U90-16 PH. SH. PREMIX
U90-7 PH. SH. CV

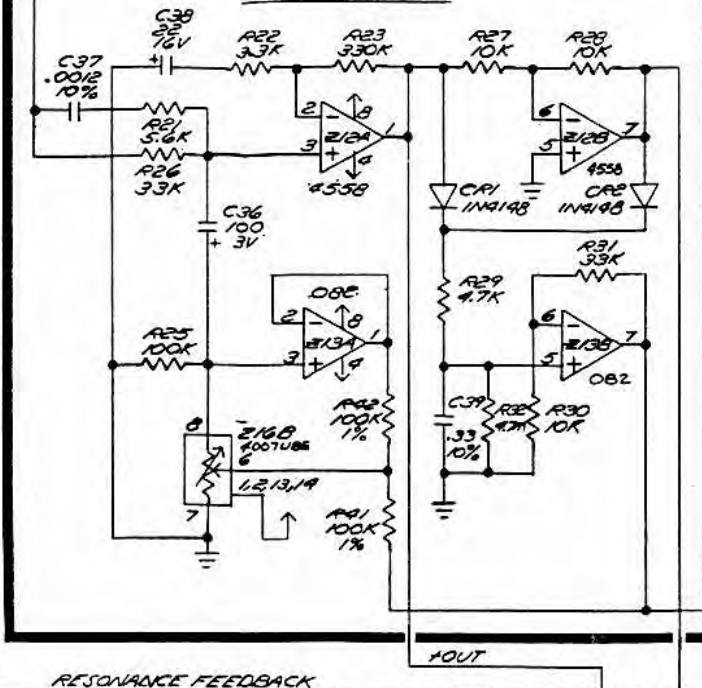
PH. SH. DIFF OUT U90-M



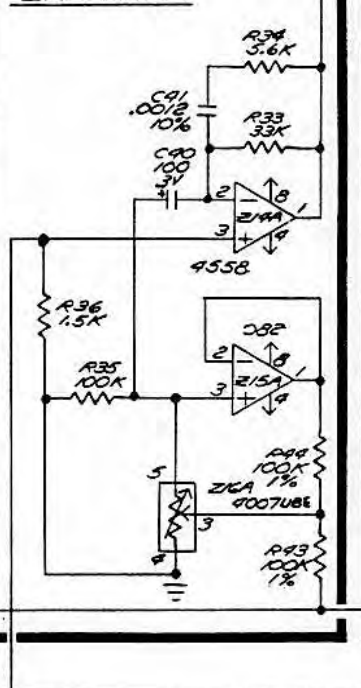
PHASE SHIFT NETWORK



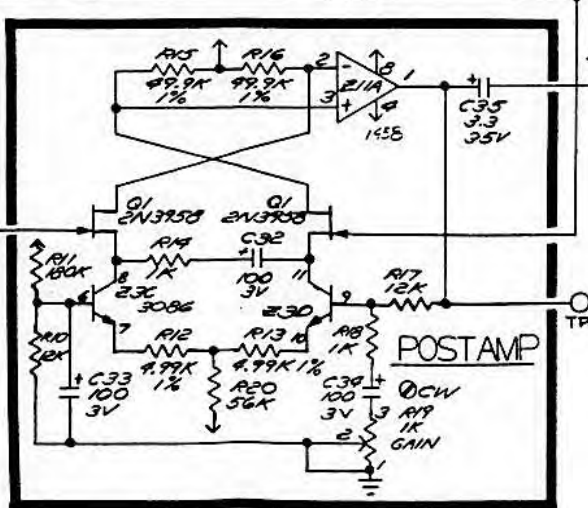
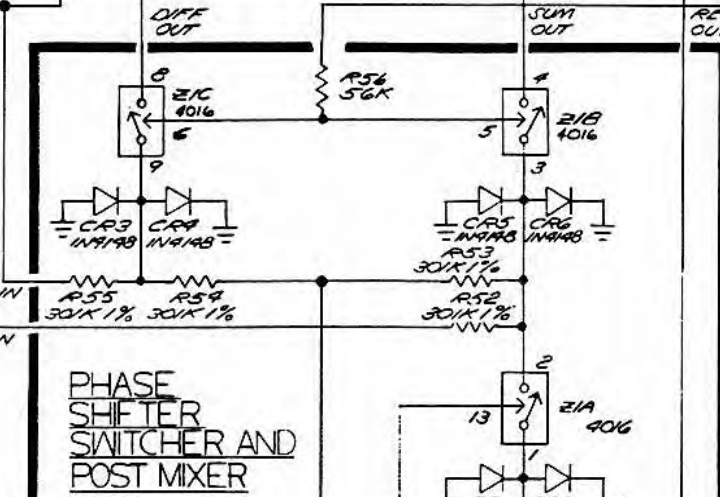
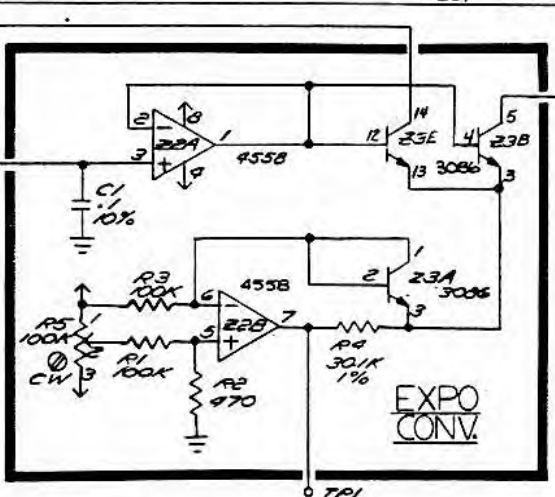
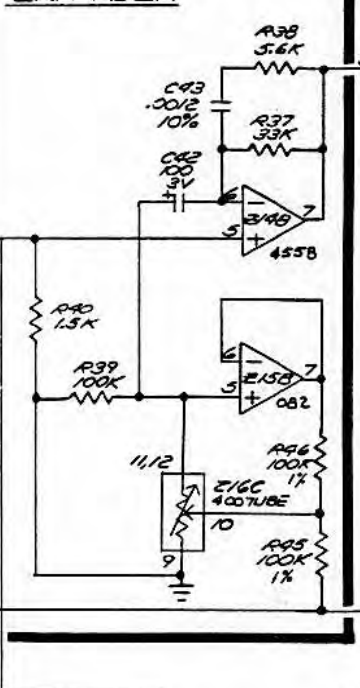
COMPRESSOR



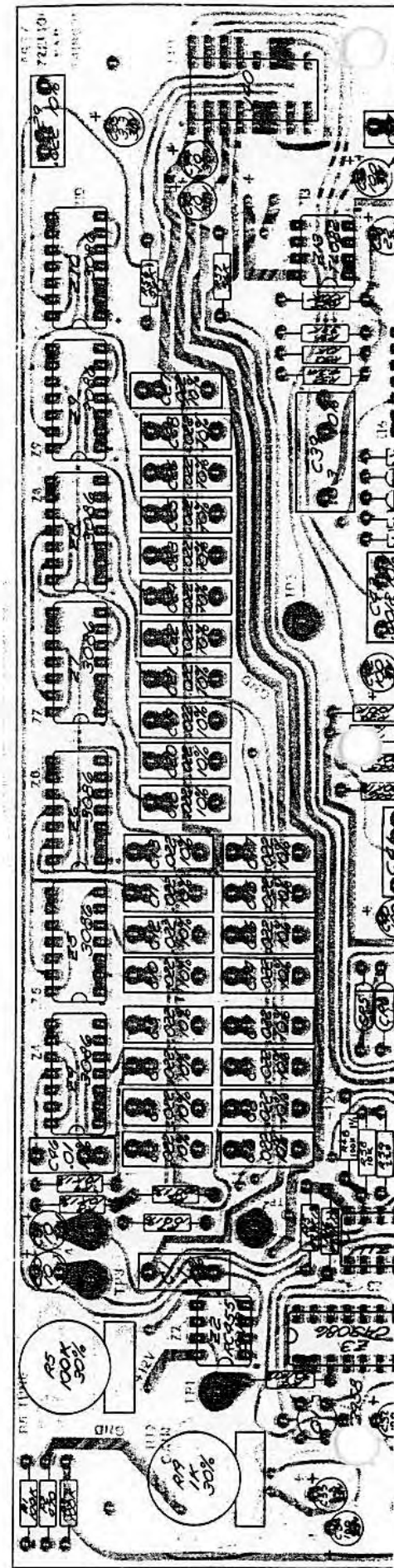
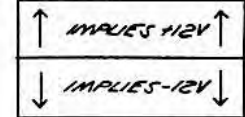
EXPANDER

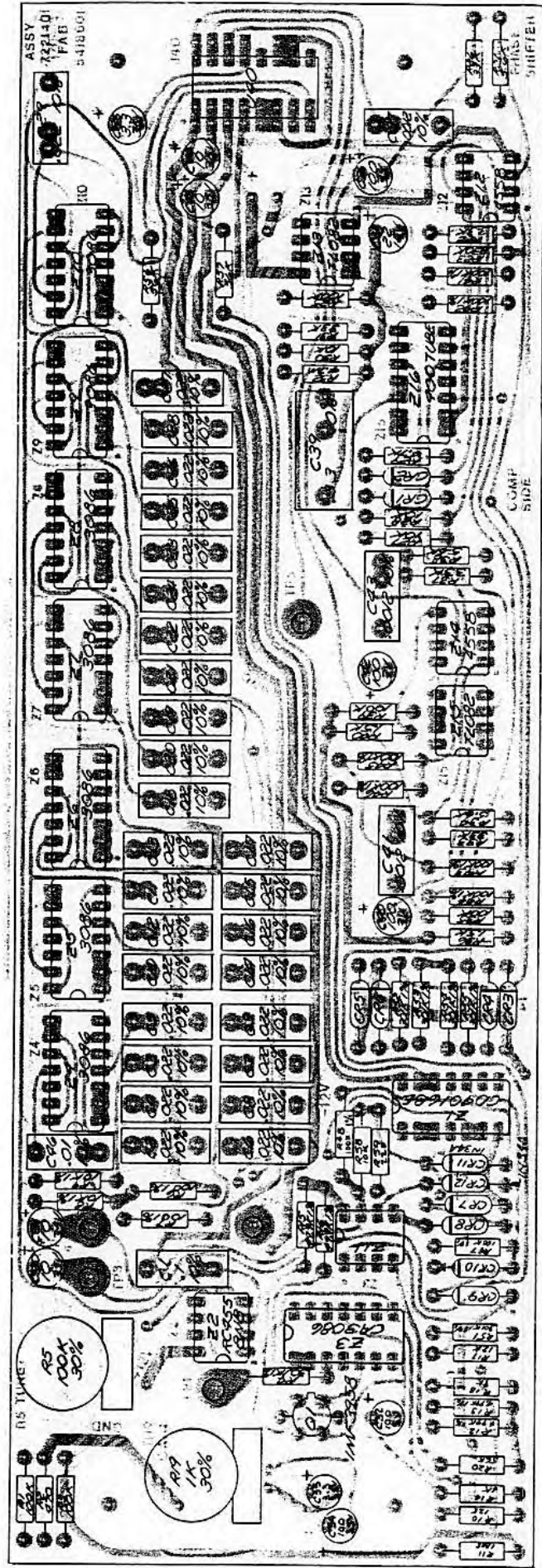
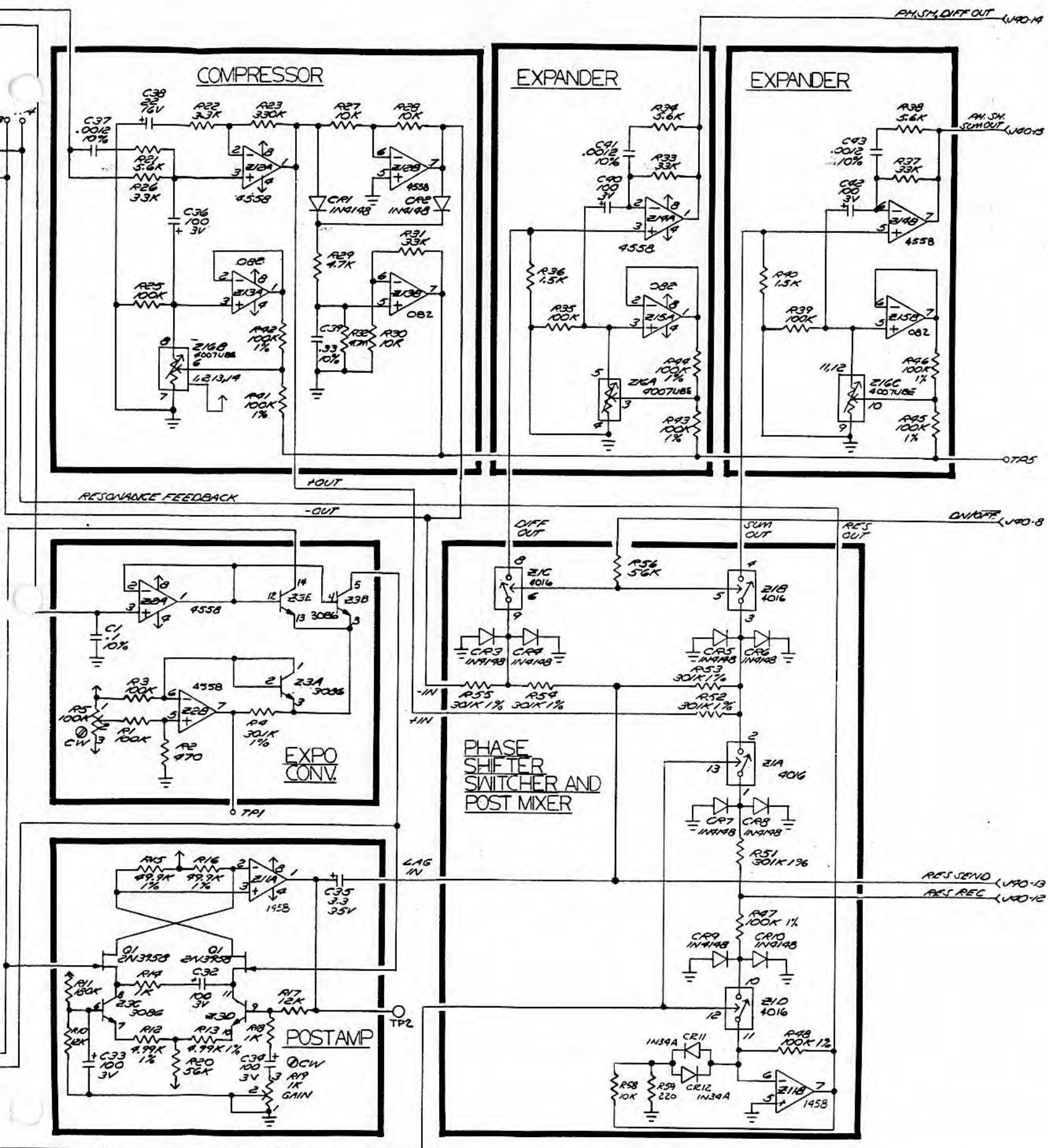


EXPANDER



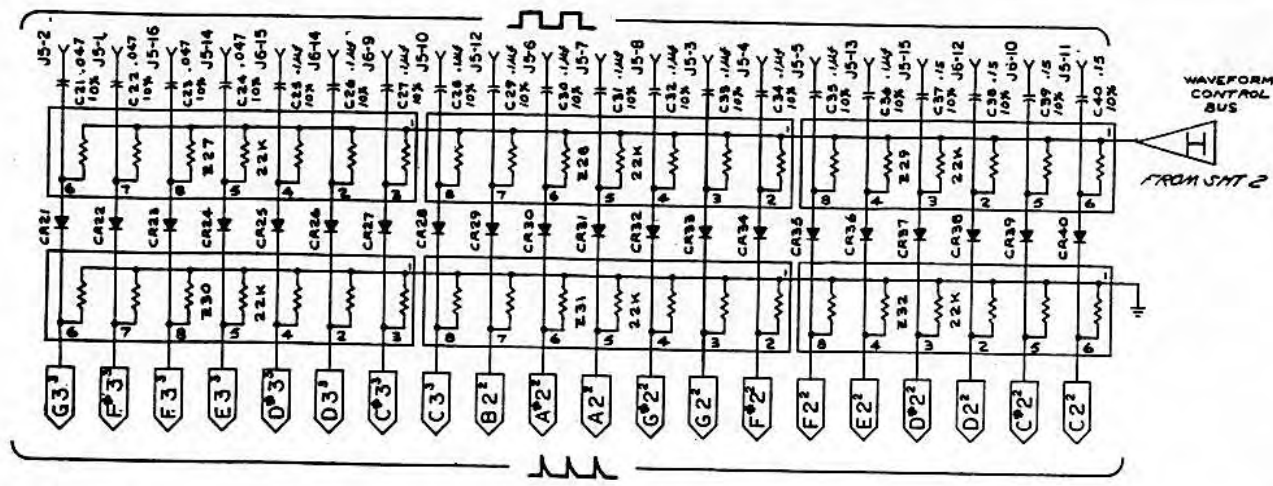
NOTES:
1) UNLESS OTHERWISE SPECIFIED, ALL RESISTOR VALUES ARE IN OHMS, 1/4W, 5%
ALL CAPACITOR VALUES ARE IN µF (P=PICOFARADS)
2) HIGHEST REF. DESIGNATIONS: C95, CR10, Q1, R55, Z16
3) CONNECTION USED FOR SUPPLY VOLTAGE CONNECTIONS:





NOTES:
 1. UNLESS OTHERWISE SPECIFIED:
 RESISTOR VALUES ARE IN OHMS, 1/4 W, 5%
 CAPACITOR VALUES ARE IN μ f.
 DIODES ARE IN 4148.

ARP INSTRUMENTS, INC.
 SCHEMATIC & ASSEMBLY,
 PHASE SHIFTER BOARD
 QUADRA, Model 2460



MNEMONIC LEGEND	
SYM	DESCRIPTION
Z	4' D
Y	4' E
X	8' D
W	8' E
H	WAVEFORM CONTROLS
S	BASS GATE
R	SUSTAIN BUS

EXPLANATION OF SYMBOLS USED

KVI³ = KEYING VOLTAGE ONE, SYMBOL APPEARING THREE PLACES

G³ = TONE G3, APPEARING THREE PLACES

J5-2² = CONNECTION J5-2, APPEARING TWO PLACES

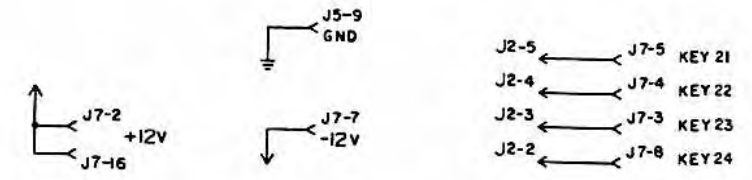
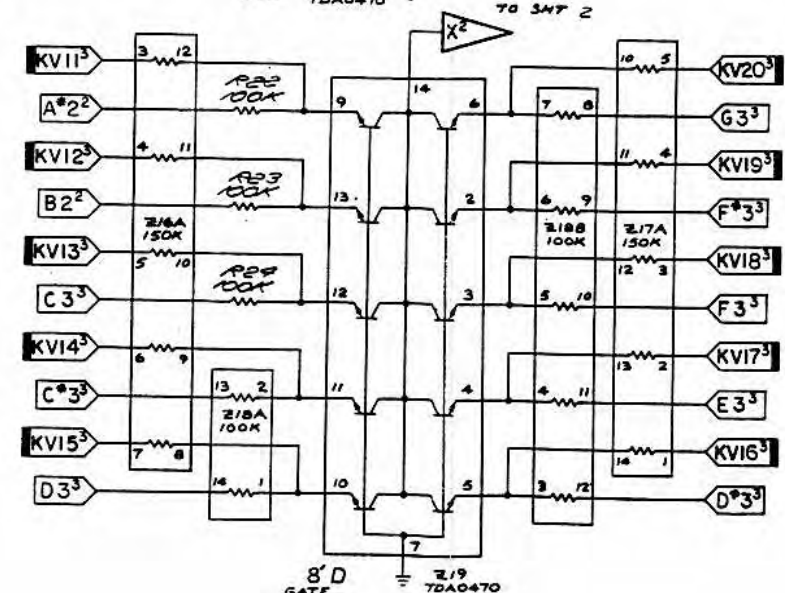
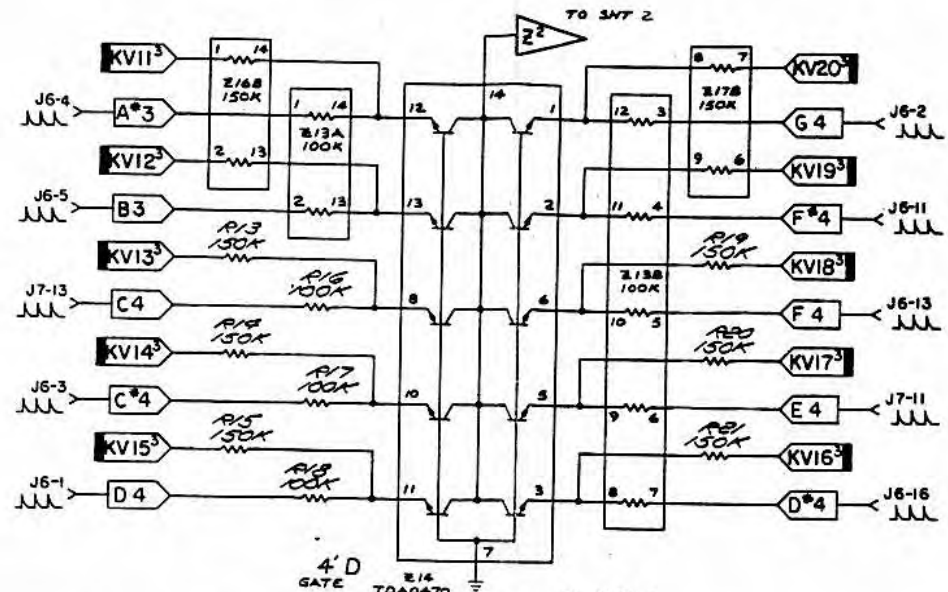
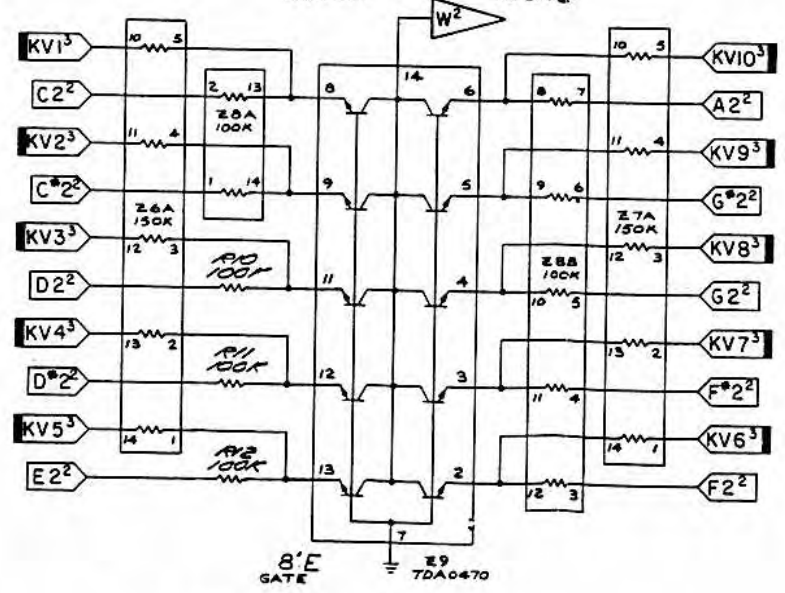
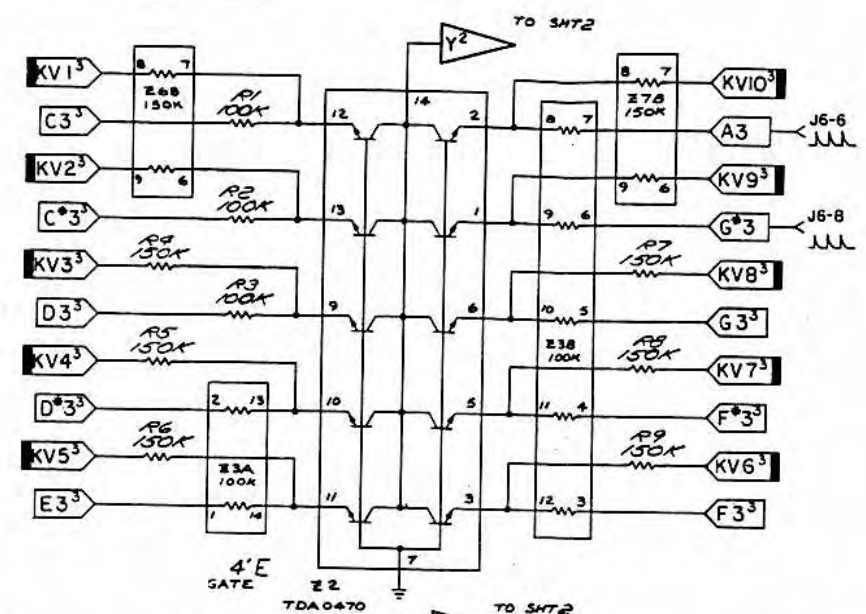
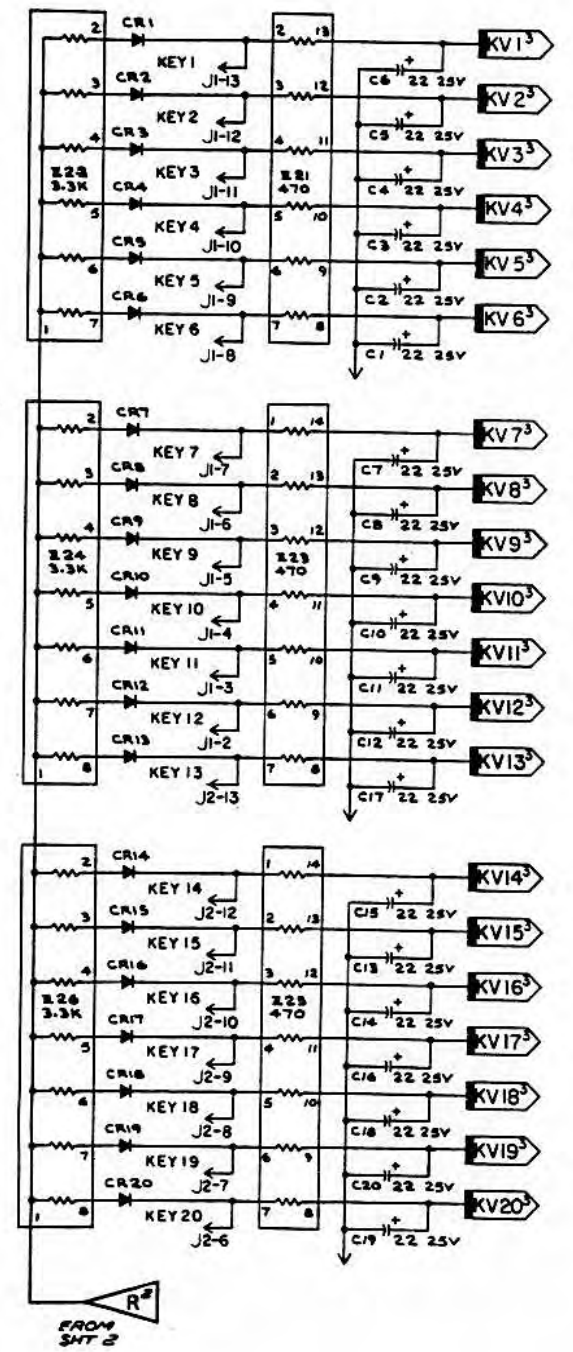
J1-13² = CONNECTION J1-13, APPEARING TWO PLACES

Z² = MNEMONIC SYMBOL INDICATING 4' D APPEARING TWO PLACES

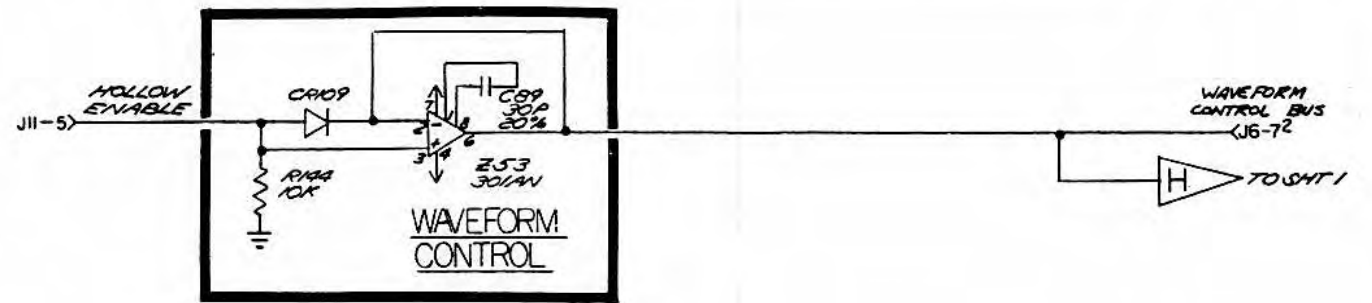
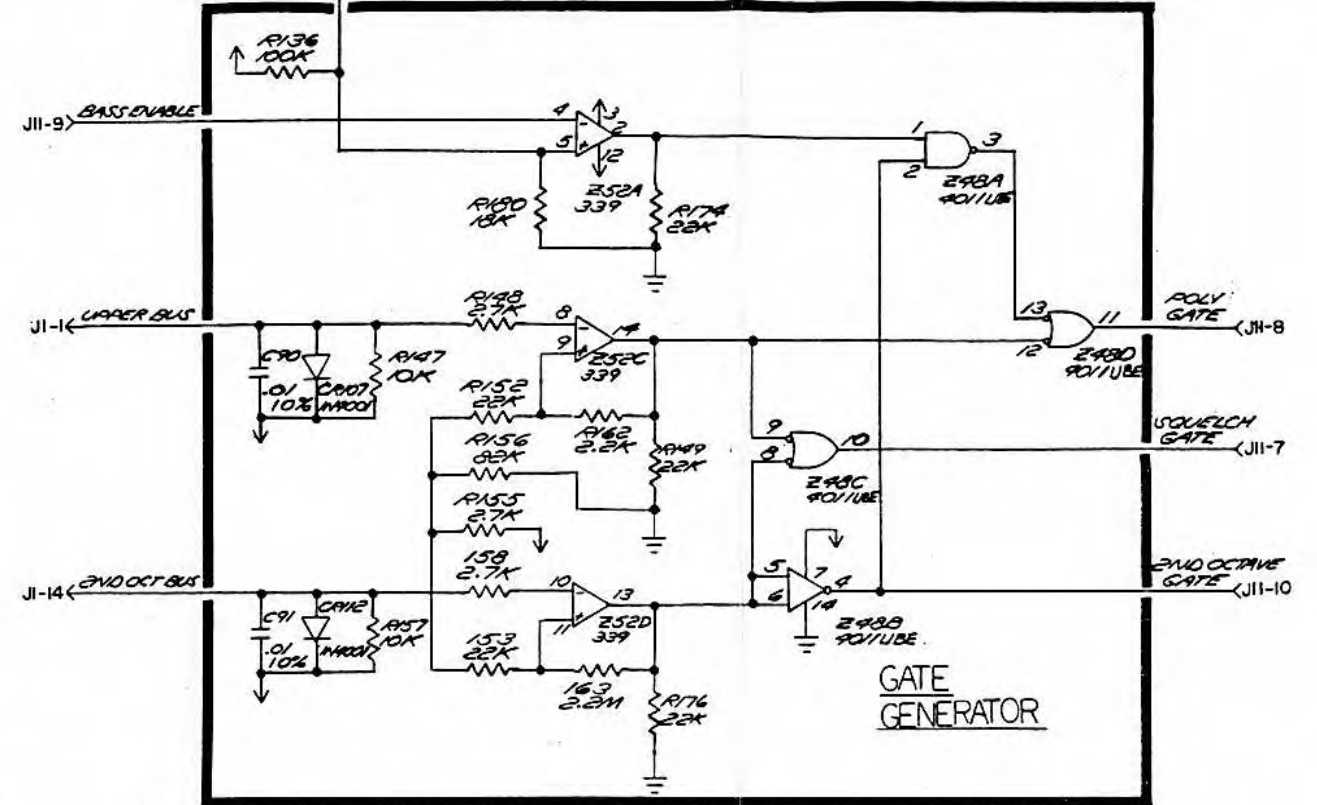
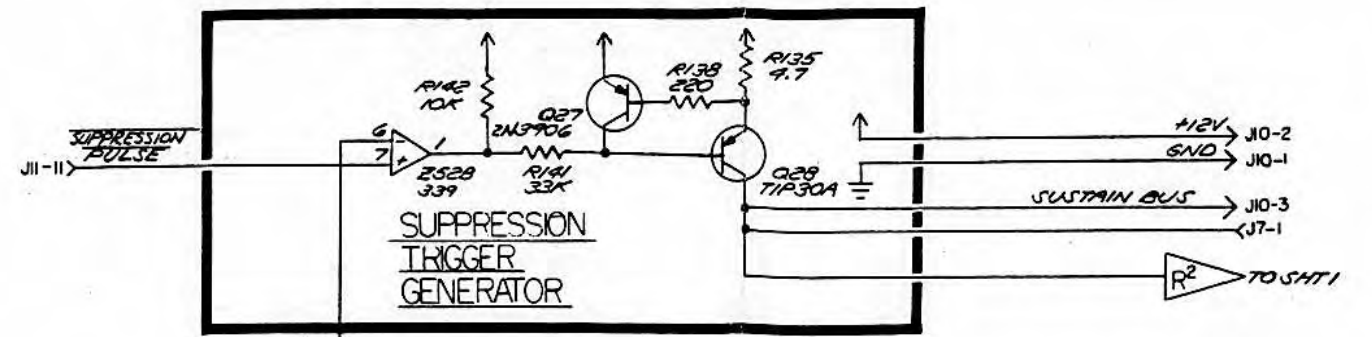
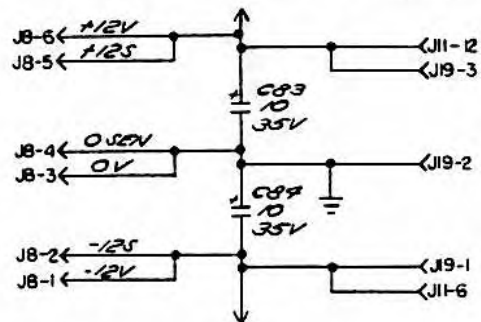
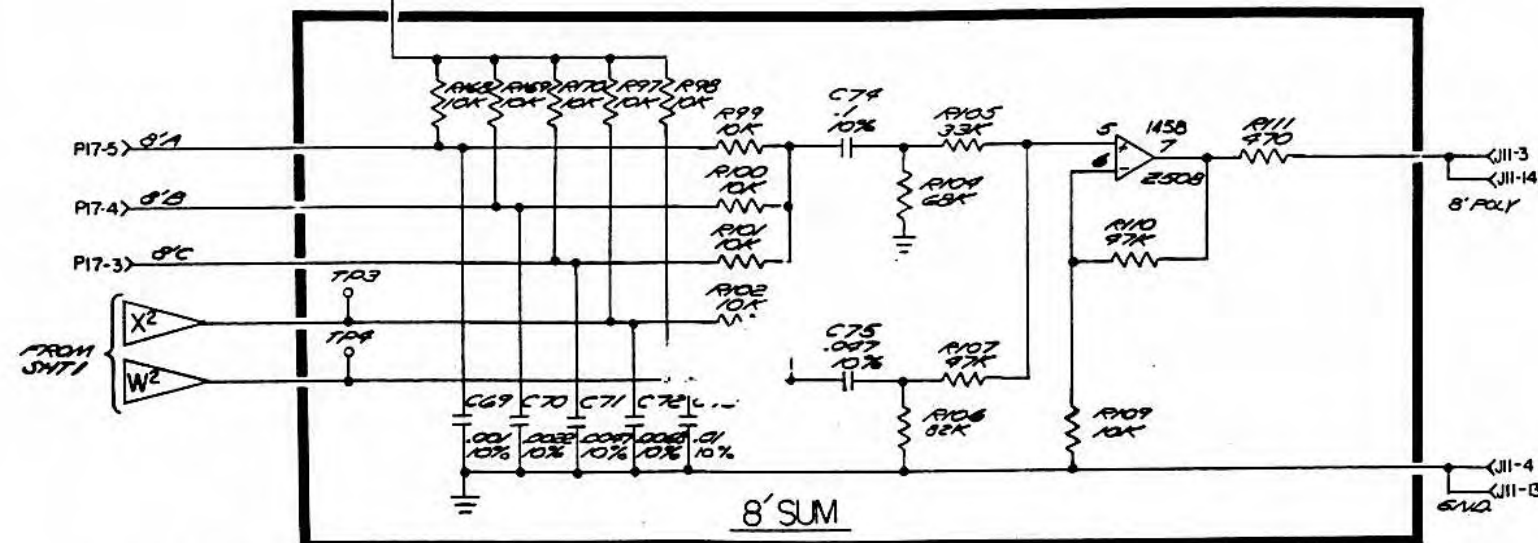
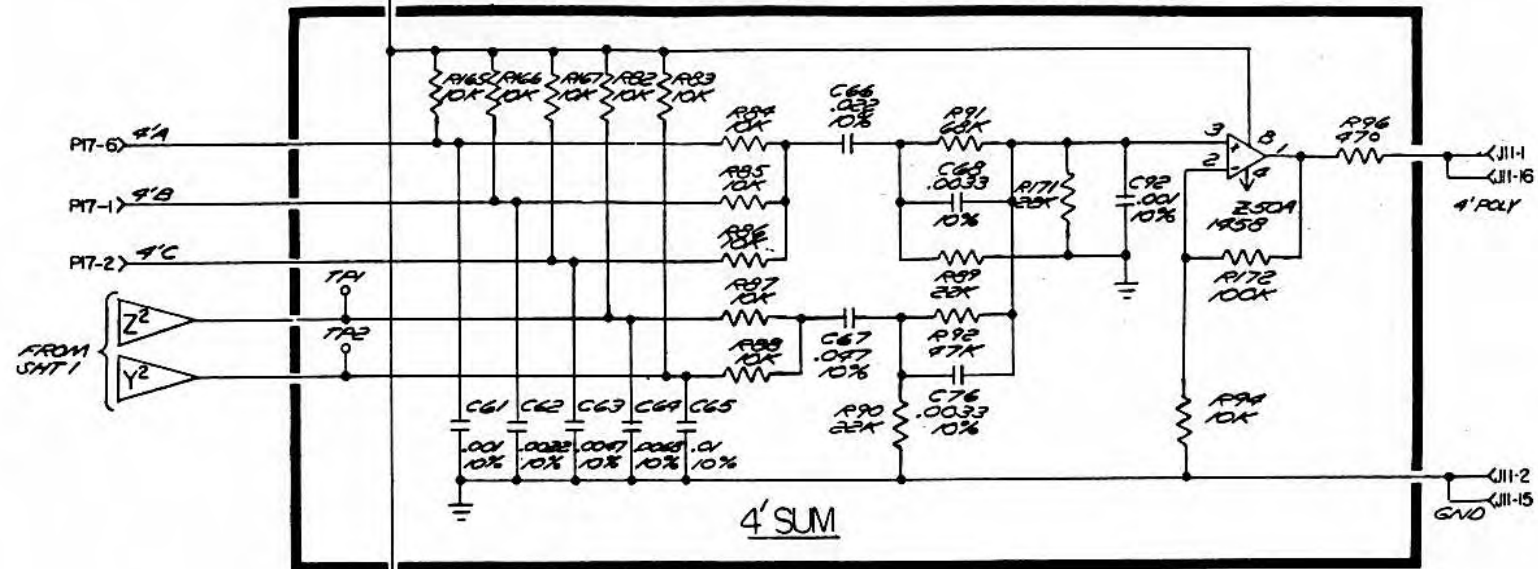
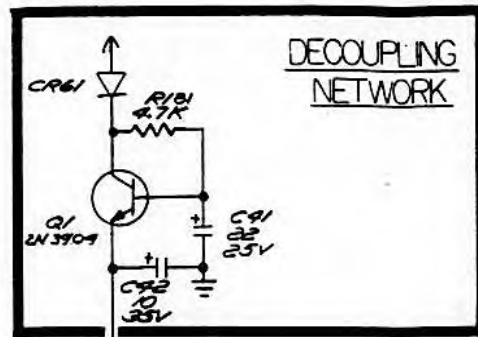
NOTES:

- UNLESS OTHERWISE SPECIFIED, RESISTOR VALUES ARE IN OHMS CAPACITOR VALUES ARE IN μF (P=PROFARADS) DIODES ARE IN 4148
- HIGHEST REF DES: C92, CR12, J17, A7, Q23, R18, Z53
- CONVENTIONS USED FOR SUPPLY VOLTAGE CONNECTIONS:

↑ IMPLIES +12V ↑
↓ IMPLIES -12V ↓

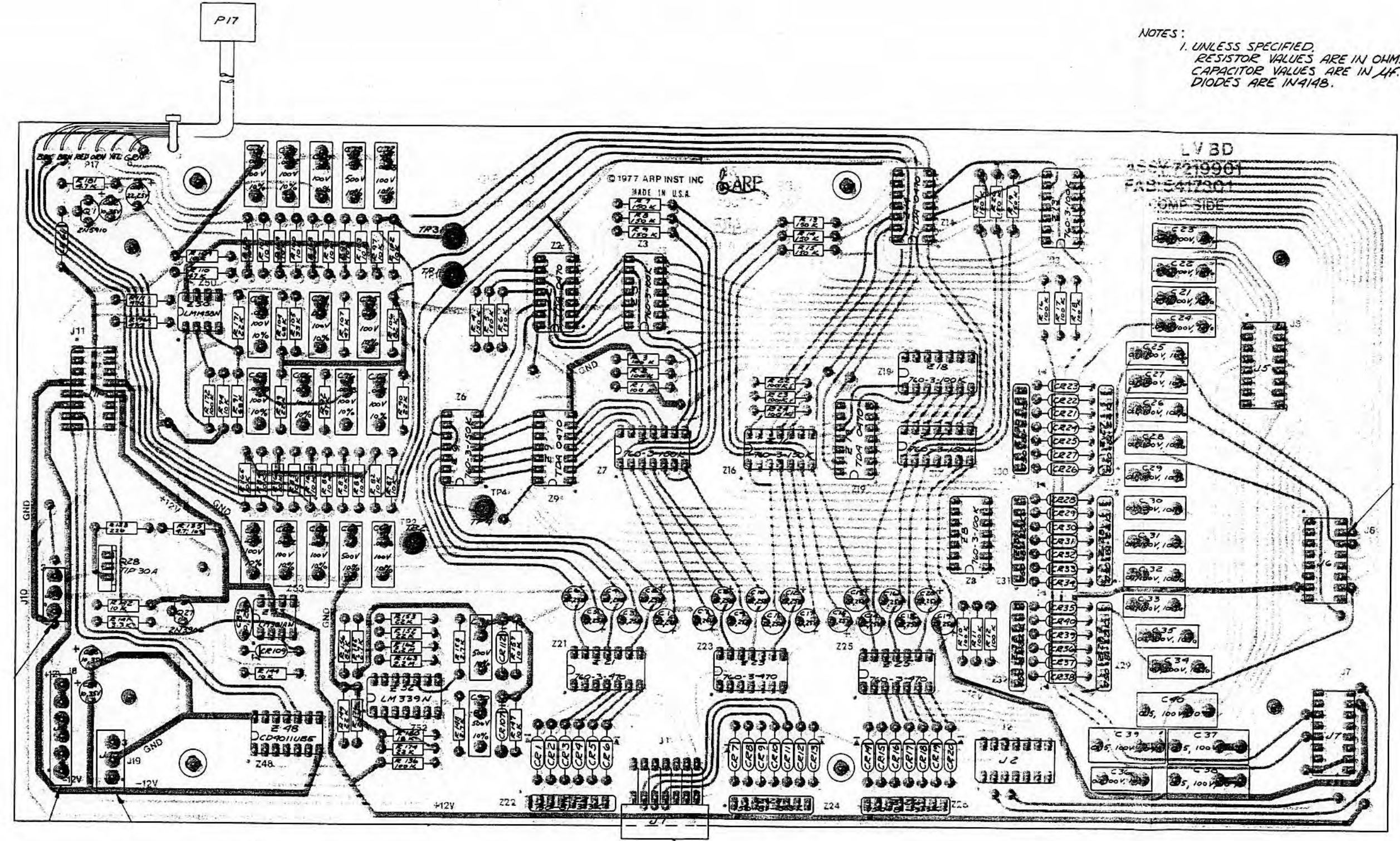


ARP INSTRUMENTS, INC.
SCHEMATIC, LOWER VOICING BOARD
QUADRA, Model 2460
Sheet 1 of 2

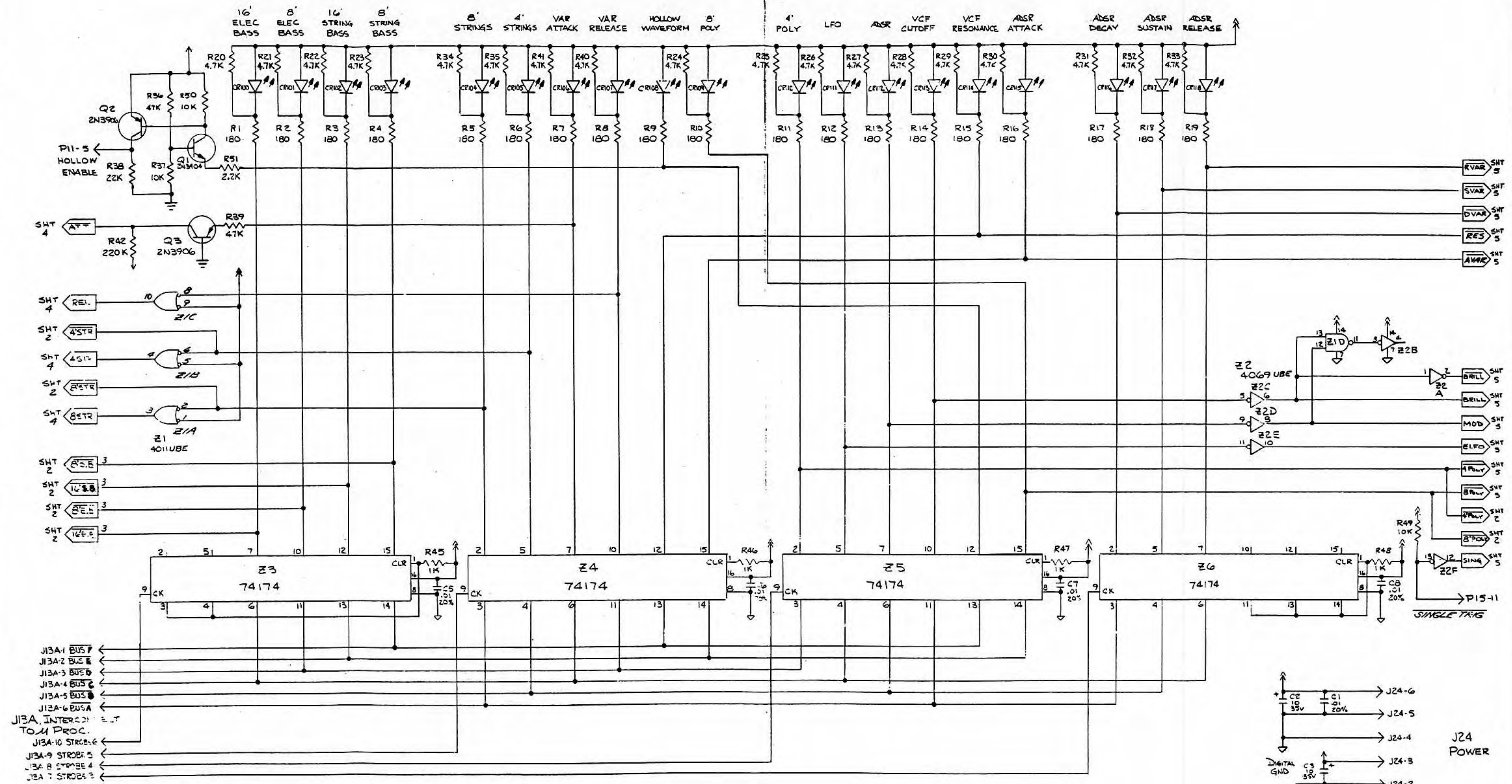


ARP INSTRUMENTS, INC.
 SCHEMATIC, LOWER VOICING BOARD
 QUADRA, Model 2460
 Sheet 2 of 2

NOTES:
 1. UNLESS SPECIFIED,
 RESISTOR VALUES ARE IN OHMS.
 CAPACITOR VALUES ARE IN μ F.
 DIODES ARE IN 4148.

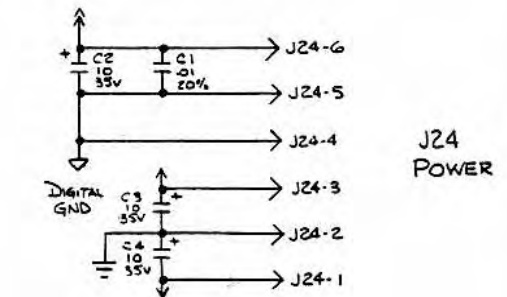


ARP INSTRUMENTS, INC.
 ASSEMBLY, LOWER VOICING BOARD
 QUADRA, Model 2460

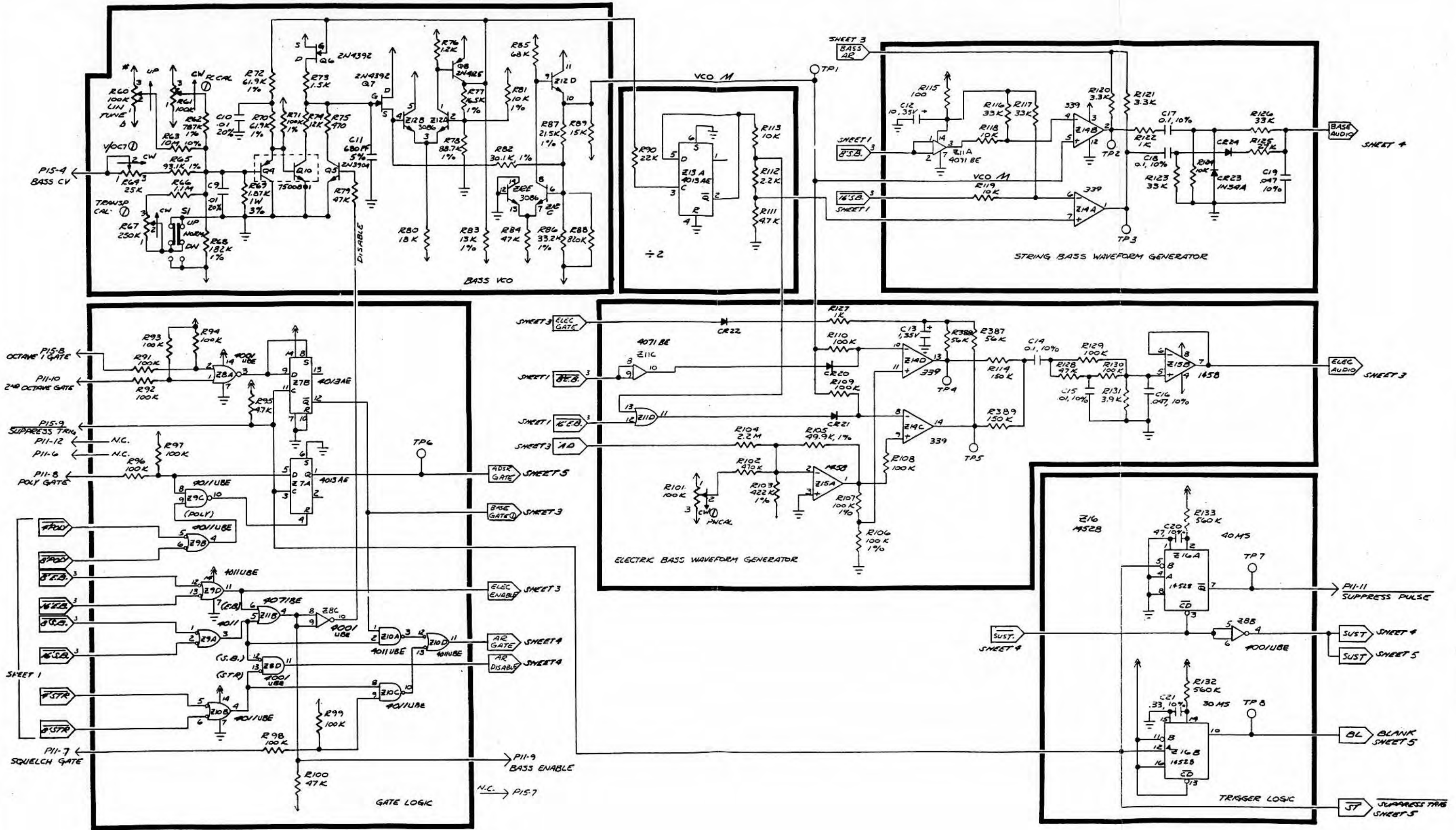


NOTES:
 1. UNLESS OTHERWISE SPECIFIED:
 RESISTOR VALUES ARE IN OHMS, 1/4W, 5%.
 CAPACITOR VALUES ARE IN μ F (P= PICO FARADS).
 DIODES ARE IN 4148, CR100-118 ARE FLV 510 LED'S.
 2. HIGHEST REF. DES: C22, CR118, P15, Q11, R406, Z45, J24, M1, S1.
 3. CONVENTIONS USED FOR SUPPLY VOLTAGE CONNECTIONS:

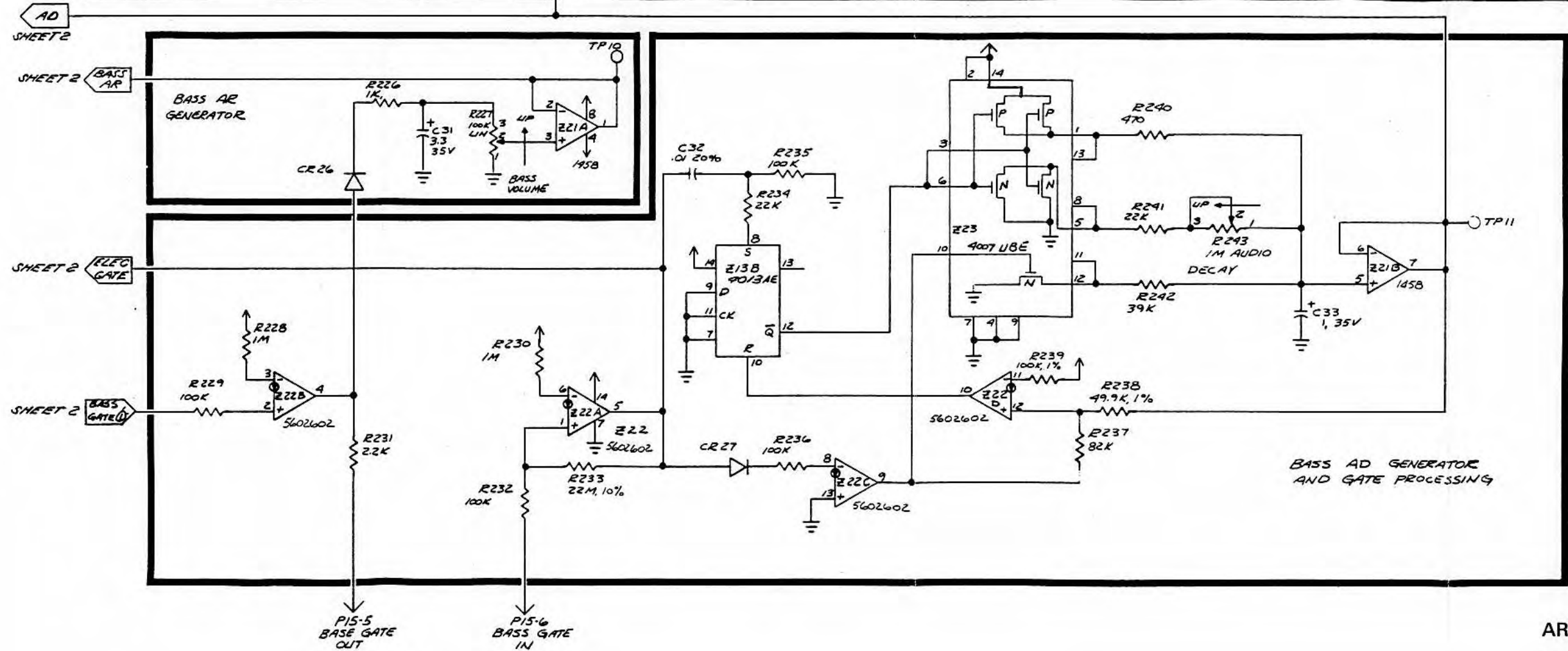
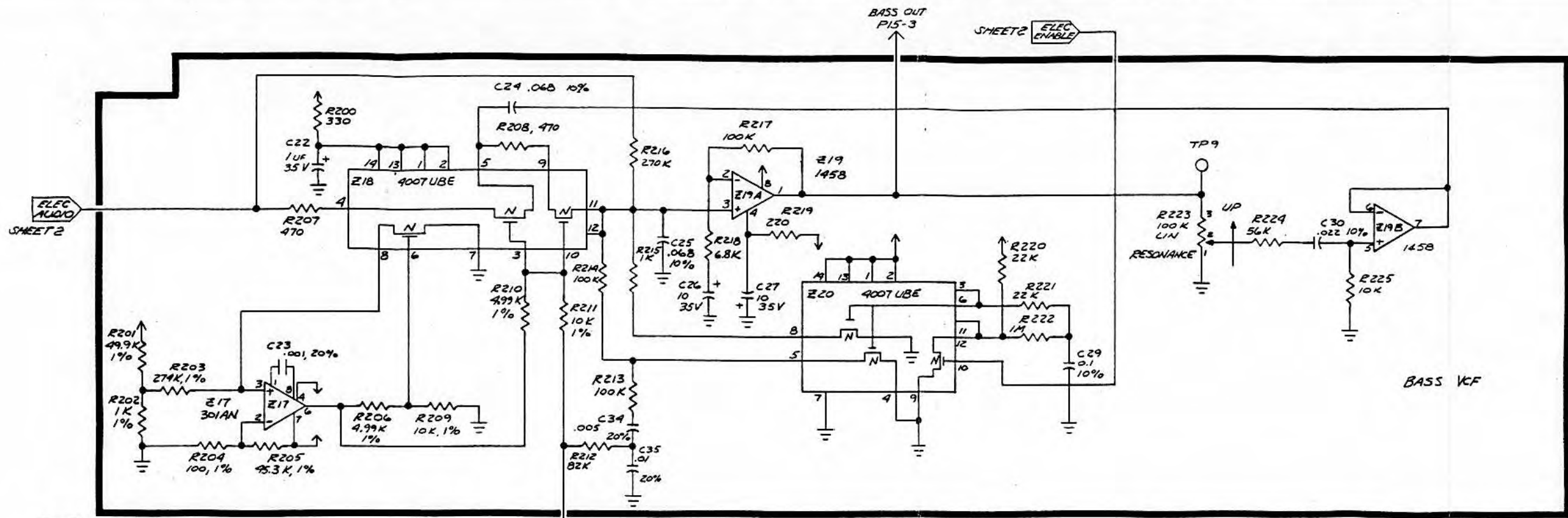
↑	IMPLIES +12V	↑
↓	IMPLIES -12V	↓
↑	IMPLIES +5V	↑
↓	IMPLIES -5V	↓



ARP INSTRUMENTS, INC.
 SCHEMATIC, POLY SYNTH BOARD
 QUADRA, Model 2460
 Sheet 1 of 5



ARP INSTRUMENTS, INC.
 SCHEMATIC, POLY SYNTH BOARD
 QUADRA, Model 2460
 Sheet 2 of 5



ARP INSTRUMENTS, INC.
 SCHEMATIC, POLY SYNTH BOARD
 QUADRA, Model 2460
 Sheet 3 of 5

Z11	1401101
R19	1000904
R5	1000915
C35	1100611
C30, 31, 44, 45	1100612
C38	1100601
C32, 33, 34, 36, 40, 42	1100616
J40	2101302

LM1458

IC OP AMP DUAL
POT ROT TRIM 1K 1/4W 30%
POT ROT TRIM 100K 1/4W 30%
CAP TANT 3.3UF 35V 10%
CAP TANT 10UF 35V 20%
CAP TANT 22UF 16V 20%
CAP TANT 100UF 3V 20%
SOCKET DUAL IN LINE 16P

LEAD/MIX BOARD

CR25, 26, 27, 28	1200101
CR42-59	1200301
CR40, 41	1201201
CR119-127, 129, 131-133, 135-142	1201601
CR128, 130, 134	1201602
Q1, 10, 16, 17, 18, 20	1302901
Q19, 21, 22	1303001
Q9, 15	1305101
Q7, 8, 13, 14	1301301
Q5, 6, 11, 12	7500801
Z75, 76	1408702
Z9, 10, 17, 50, 52, 54, 56	1401101
66, 67, 70	
Z63, 68, 69	1400801
Z19-23, 57, 58, 65	1400501
Z60	1407601
Z61	1405401
Z73	1404301
Z18	1400601
Z7	1410001
Z26, 59, 71, 72	1404501
Z74	1408401
Z13, 14, 53, 55, 62	1406201
Z8	1405801
Z11, 15, 16, 24, 25	1406401
Z5	1406601
Z6	1408901
Z1-4	1403001
Z51, Z12	1409001
Z64	5602602
M1	7210501
R340	1000901
R341	1000911
R223, 230, 252, 258, 301, 333	1000915
338, 350	
R70, 156, 216, 226, 255, 282,	5706802
219, 325, 343, 397	
R52-56, 60	5700703
R376, 377, 382	5706801
C132	1100607
C30	1100610
C105	1100611
C1, 2, 3, 8, 43-49, 117, 120,	1100612
121, 130, 131, 134, 135	
C125	1100608
C136	1100614
J22, 23, 31	2106101
J15	2101302
P40	2203404
S1	1902401

1N34A
1N4148

2N3904
2N3906
4125
2N4392

698-3-R10K-D
LM1458

DIODE GE
DIODE SIGNAL
DIODE SIGNAL LOW LEAKAGE FD333
DIODE LIGHT EMITTING RED

DIODE LIGHT EMITTING GREEN
TSTR NPN GP
TSTR PNP GP
TSTR PNP GP
TSTR N CHANNEL
TSTR ASSY NPN/PNP
IC RES NETWORK 16P 10K
IC OP AMP

LM301AN
CA3086
TL081
CA339E
CD4001AE
CD4011BE
CD4012BE
CD4016AE
CD4023
CD4053BE
CD4069UBE
LM4558
SN74LS04
SN74LS26
SN74174
TL082

IC OP AMP
IC TSTR ARRAY
IC OP AMP FET
IC QUAD COMP
IC GATE 4 X 2I NOR
IC GATE 4 X 2I NAND
IC GATE 2 X 4I NAND
IC QUAD BILAT SWITCH
IC GATE 3 X 3I NAND
IC TRIPLE 2 CHANNEL MUX
IC HEX INVERTER
IC OP AMP DUAL
IC HEX INVERTER
IC GATE 4 X 2I NAN HI VOLT
IC FF HEX TYPE D
IC OP AMP DUAL FET
IC OP AMP QUAD NORTON
PC BD ASSY VCF
ROT ROT TRIM 100 OHM 1/4W 30%
POT ROT TRIM 25K 1/4W 30%
POT ROT TRIM 100K 1/4W 30%

POT SLIDE LIN 100K 1/4W 30%
POT SLIDE LIN 100K 1/3W 30%
POT SLIDE AUD 1M 1/4W 30%
CAP TANT .47UF 35V 20%
CAP TANT 1.5UF 35V 10%
CAP TANT 3.3UF 35V 10%
CAP TANT 10UF 35V 20%

CAP TANT 1UF 35V 10%
CAP TANT .1UF 35V 20%
SOCKET DUAL IN LINE 16P RT ANGLE
SOCKET DUAL IN LINE 16P
RIBBON CABLE 16P 9"
SWITCH SLIDE DPDT

TOUCH SENSOR SWITCH BOARD

R1	1000915
S1, 2	1900601

POT ROT TRIM 100K 1/4W 30%
SWITCH SLIDE DP3T

MICROCOMPUTER BOARD

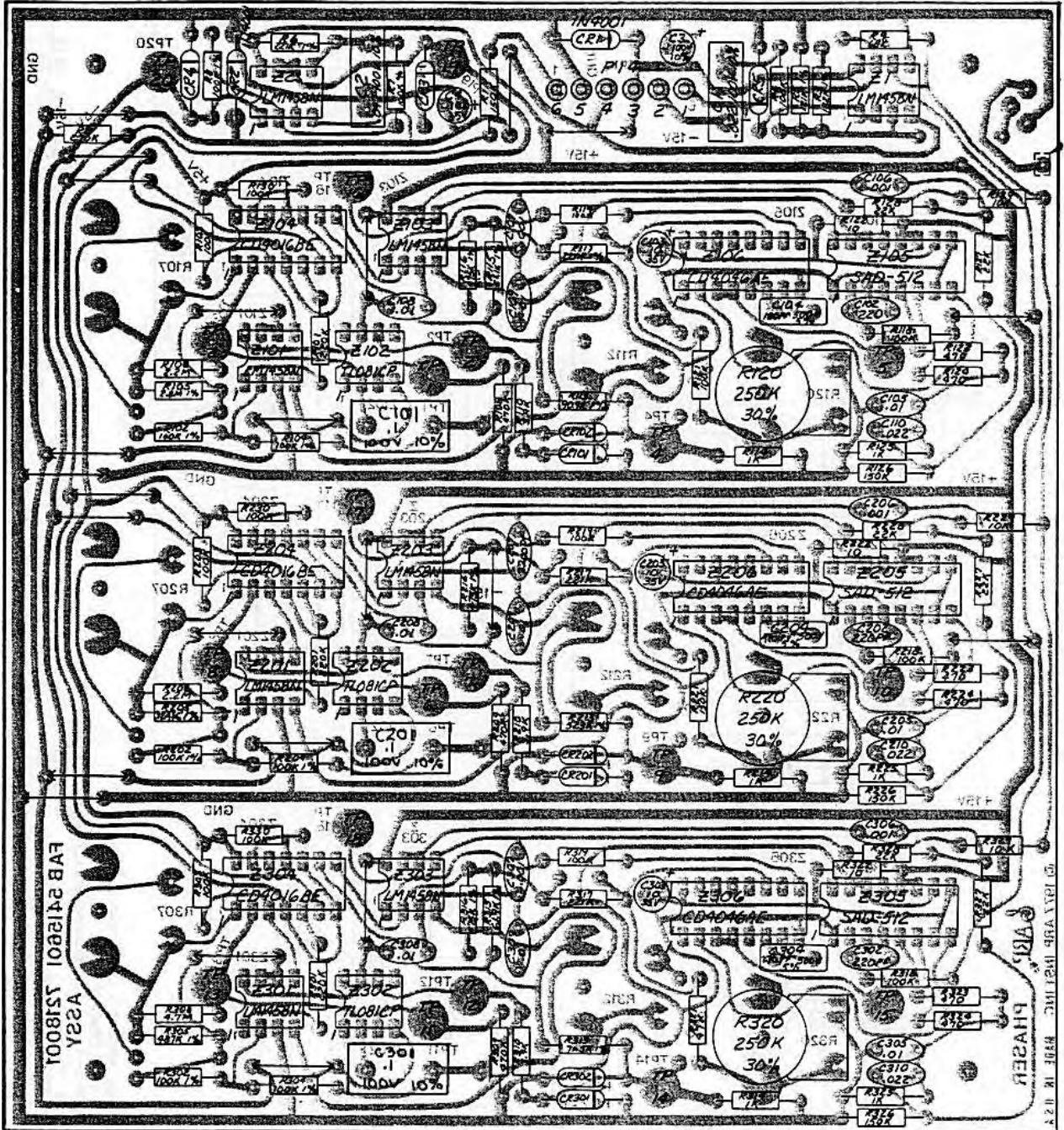
CR17-20, 29, 30, 32-34	1200301	1N4148	DIODE SIGNAL
Q1	1303001	2N3906	TSTR PNP GP
Q2	1301301	2N4392	TSTR N CHAN
CY1	2600301	_____	CRYSTAL 6MHZ
Z1	1409901	8748	IC SINGLE COMP 8-BIT
Z2, 3	1409401	8243	IC INPUT/OUTPUT EXPANDER
Z7	1409301	5101	IC STATIC CMOS RAM
Z8, 9, 15	1406601	SN74LS04	IC HEX INVERTER
Z4, 14	1408001	SN74LS145	IC BCD-DEC DECODER/DRIVER
Z5, 6	1409101	SN74LS175	IC QUAD D FLIP FLOP
Z10-13	1407101	SN74LS368	IC HEX INVERTER 3 STATE BUFFER
Z19, 20	1408901	SN74LS26	IC QUAD NAND GATE OC
Z21	1409501	CD4052BE	IC DUAL 4 CHAN MUX
Z27	1401101	LM1458	IC OP AMP DUAL
Z22, 23	1409001	TL082	IC OP AMP DUAL FET
Z29	1406002	_____	IC RES NETWORK 8P 22K
Z16	1409701	7523	IC 8 BIT CMOS DAC
Z26	1400801	LM301AN	IC OP AMP
C4, 6	1100609	_____	CAP TANT 1UF 35V 20%
C1, 2, 3	1100612	_____	CAP TANT 10UF 35V 20%
P12	2203404	_____	RIBBON CABLE 16P 24"
	2102703	_____	SOCKET DUAL IN LINE 16P
	2102704	_____	SOCKET DUAL IN LINE 22P
	2102705	_____	SOCKET DUAL IN LINE 24P
	2102706	_____	SOCKET DUAL IN LINE 40P
	2504501	_____	BATTERY HOLDER

POWER SUPPLY

Z3	1401301	723DC	IC VOLTAGE REGULATOR
Z4	1400801	LM301AN	IC OP AMP
CR1, 2	1201701	_____	DIODE RECT 50V 6A
CR3-9	1200201	1N4001	DIODE RECT 50V 1A
Q3	1303001	2N3906	TSTR PNP GP
R16	1000915	_____	POT ROT TRIM 100K 1/4W 30%
C1	1101502	_____	CAP ELECT 10,000UF 16V
C2, 3	1101301	_____	CAP ELECT 1000UF 50V 75-10%
C19	1101702	_____	CAP ELECT 250UF 50V 50-10%
C12-15	1100612	_____	CAP TANT 10UF 35V 20%
C16	1100609	_____	CAP TANT 1UF 35V 20%
Z1, 2	1407401	7805	IC +5V REGULATOR
Q1	1305301	110	TSTR DARL NPN
Q2	1305401	115	TSTR DARL PNP
S1	1903501	_____	SWITCH DPDT 115V/230V
T1	5706601	_____	TRANSFORMER 5 VOLT
T2	5704401	_____	TRANSFORMER
F1, 2	1700404	_____	FUSE PIGTAIL SLO-BLO 1/2A 250V

MISCELLANEOUS

R1	1000915	_____	POT ROT TRIM 100K 1/4W 30%
S1, 2	1900601	_____	SWITCH SLIDE DP3T
	7525101	_____	AC RECP
	5207904	_____	RT ENDBLOCK
	5207903	_____	LT ENDBLOCK
	2101601	_____	DIODE LIGHT EMITTING RED
	7500301	_____	SWITCH ASSY 11"

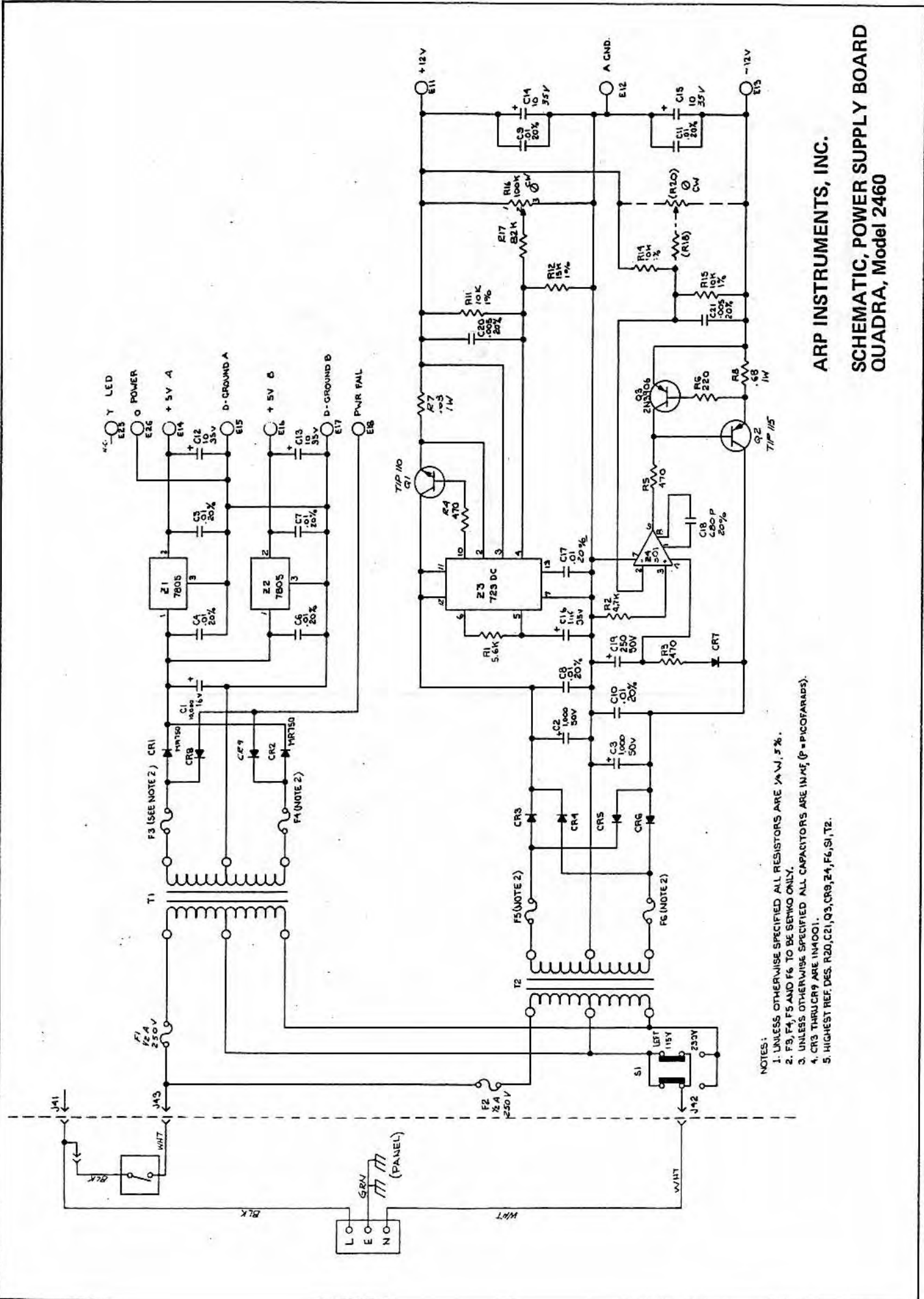


NOTES:

- 1) UNLESS OTHERWISE SPECIFIED:
 RESISTOR VALUES ARE IN OHMS, 1/4W, 5%
 CAPACITOR VALUES ARE IN MF, 50V, 20% (PF=PICOFARADS)
 DIODES ARE 1N4148

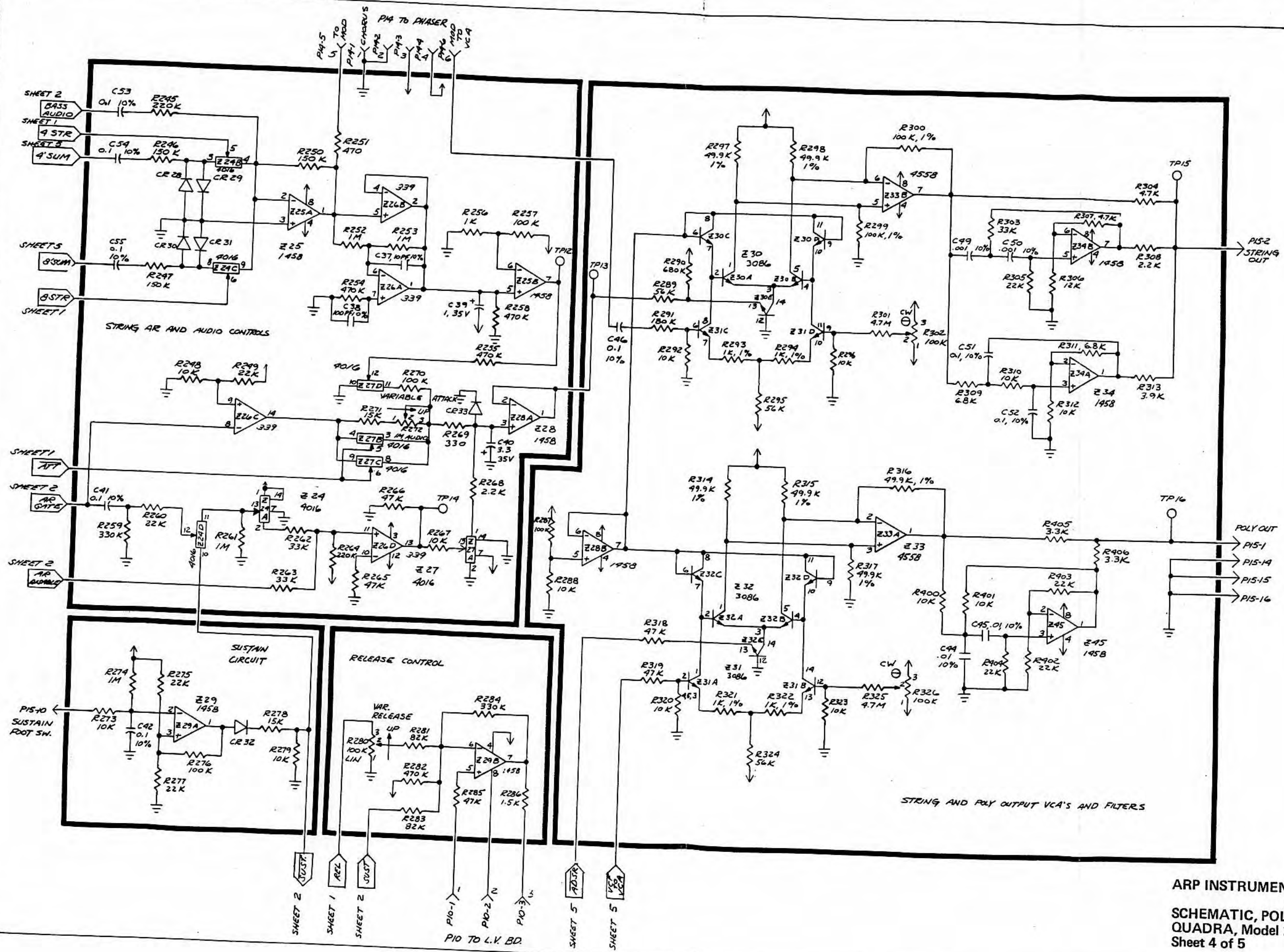
ARP INSTRUMENTS, INC.

ASSEMBLY, PHASER BOARD
 QUADRA, Model 2460

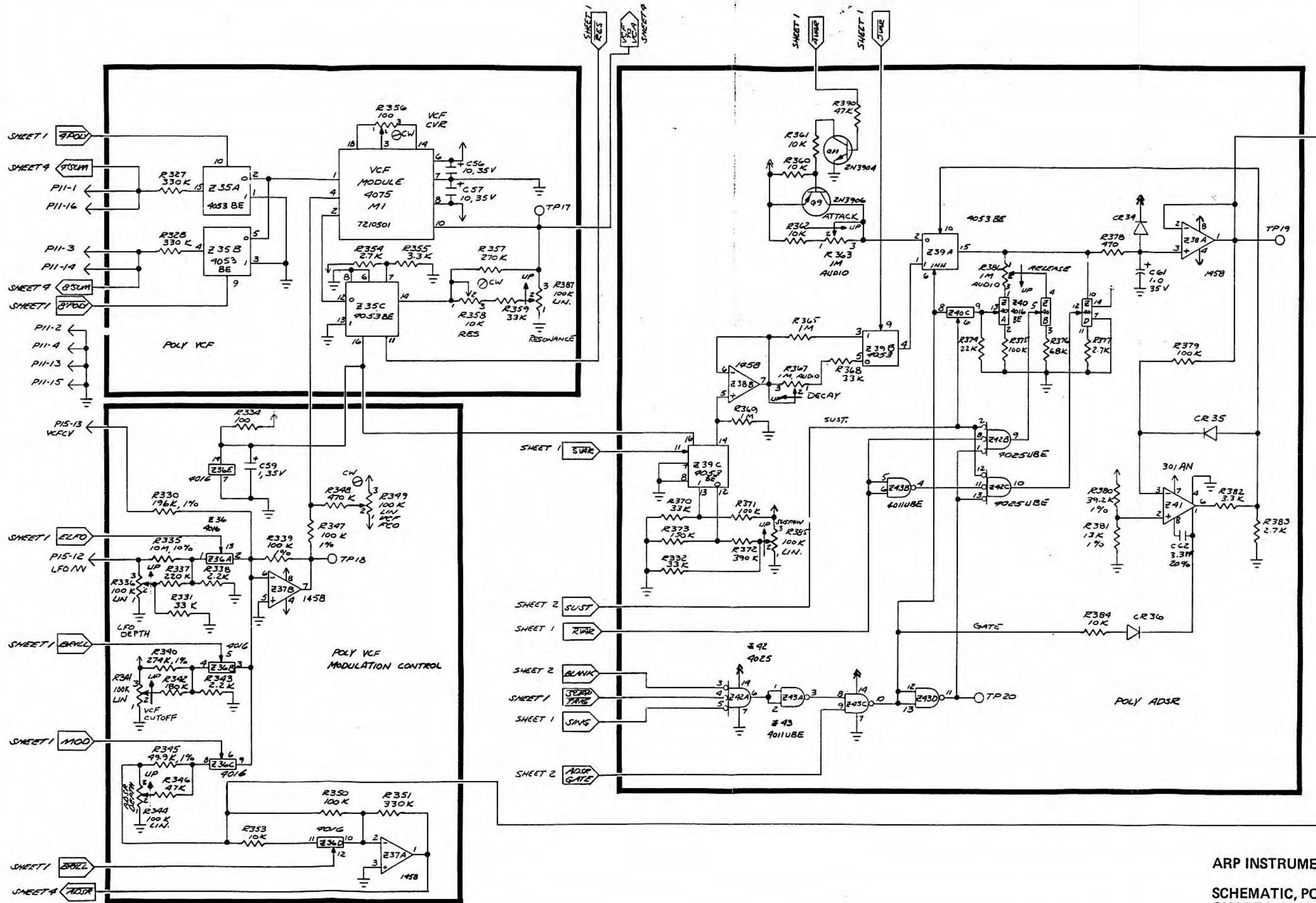


ARP INSTRUMENTS, INC.
 SCHEMATIC, POWER SUPPLY BOARD
 QUADRA, Model 2460

- NOTES:
1. UNLESS OTHERWISE SPECIFIED ALL RESISTORS ARE 1/4 W, 5%.
 2. F3, F4, F5 AND F6 TO BE SERVO ONLY.
 3. UNLESS OTHERWISE SPECIFIED ALL CAPACITORS ARE IN MF (P = PICOFARADS).
 4. CR3 THRU CR9 ARE IN4001.
 5. HIGHEST REF. DES. R20, C21, Q3, CR8, Z4, F6, S1, T2.



ARP INSTRUMENTS, INC.
 SCHEMATIC, POLY SYNTH BOARD
 QUADRA, Model 2460
 Sheet 4 of 5



ARP INSTRUMENTS, INC.
 SCHEMATIC, POLY SYNTH BOARD
 QUADRA, Model 2460
 Sheet 5 of 5